

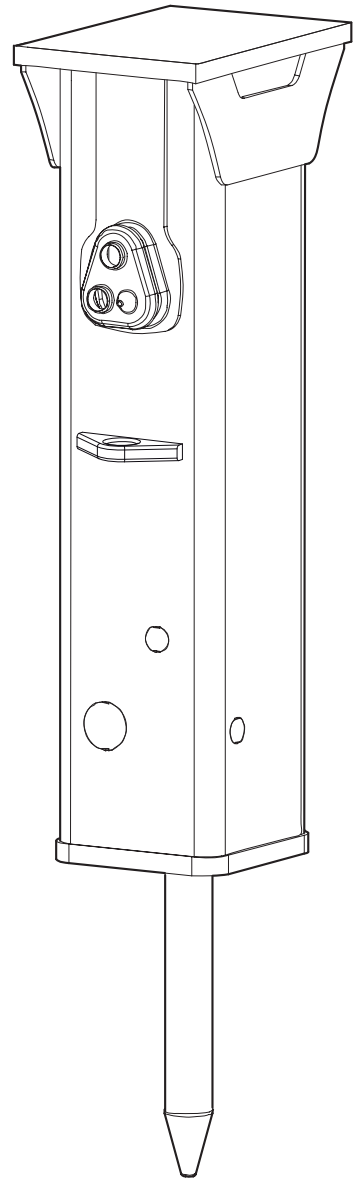


**Chicago
Pneumatic**

Spare parts list

Hydraulic breakers

RX 2



Contents

General information	5
Spare parts list	6
Hydraulic breaker	6
Percussion unit	8
Tightening torques	10
Working tools	11
Accessories	12
Optional equipment	12
Hydraulic hoses	12
Kits	13
Seal kit	13
Label kit	13
Dimensions	14

General information

This spare parts list applies to the following:

Part number	Description
8460 0500 38	Hydraulic breaker RX 2

Use only authorized parts. Any damage or malfunction caused by the use of unauthorized parts is not covered by Warranty or Product Liability. Any unauthorized use or copying of the contents or any part thereof is prohibited. This applies in particular to trademarks, model denominations, part numbers, and drawings.

Instructions for use

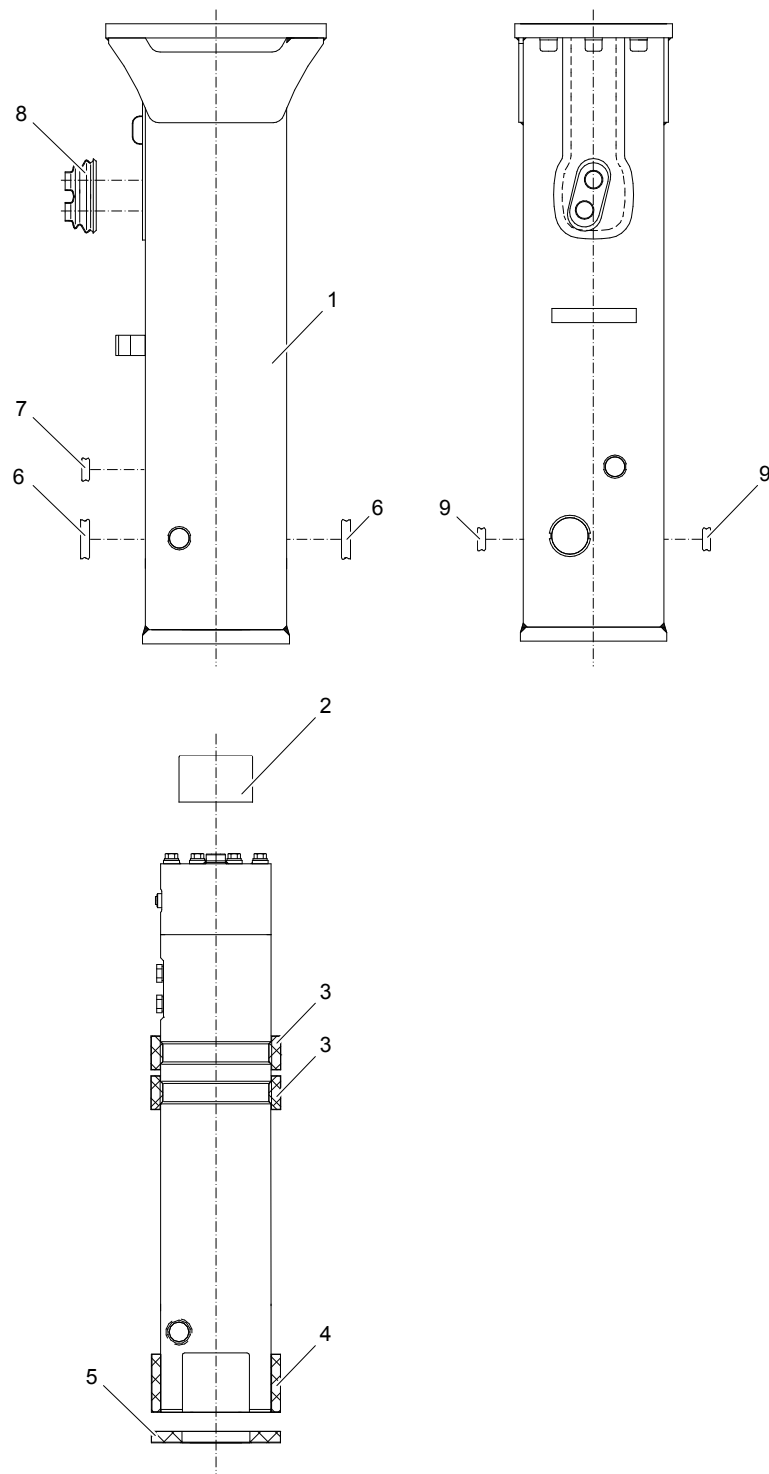
This spare parts list contains no safety regulations and is merely intended to assist in the ordering of spare parts.

For information about operating, servicing, or repairing, the relevant Safety and operating instructions must be consulted at all costs.

Please observe the safety instructions listed in the relevant Safety and operating instructions!

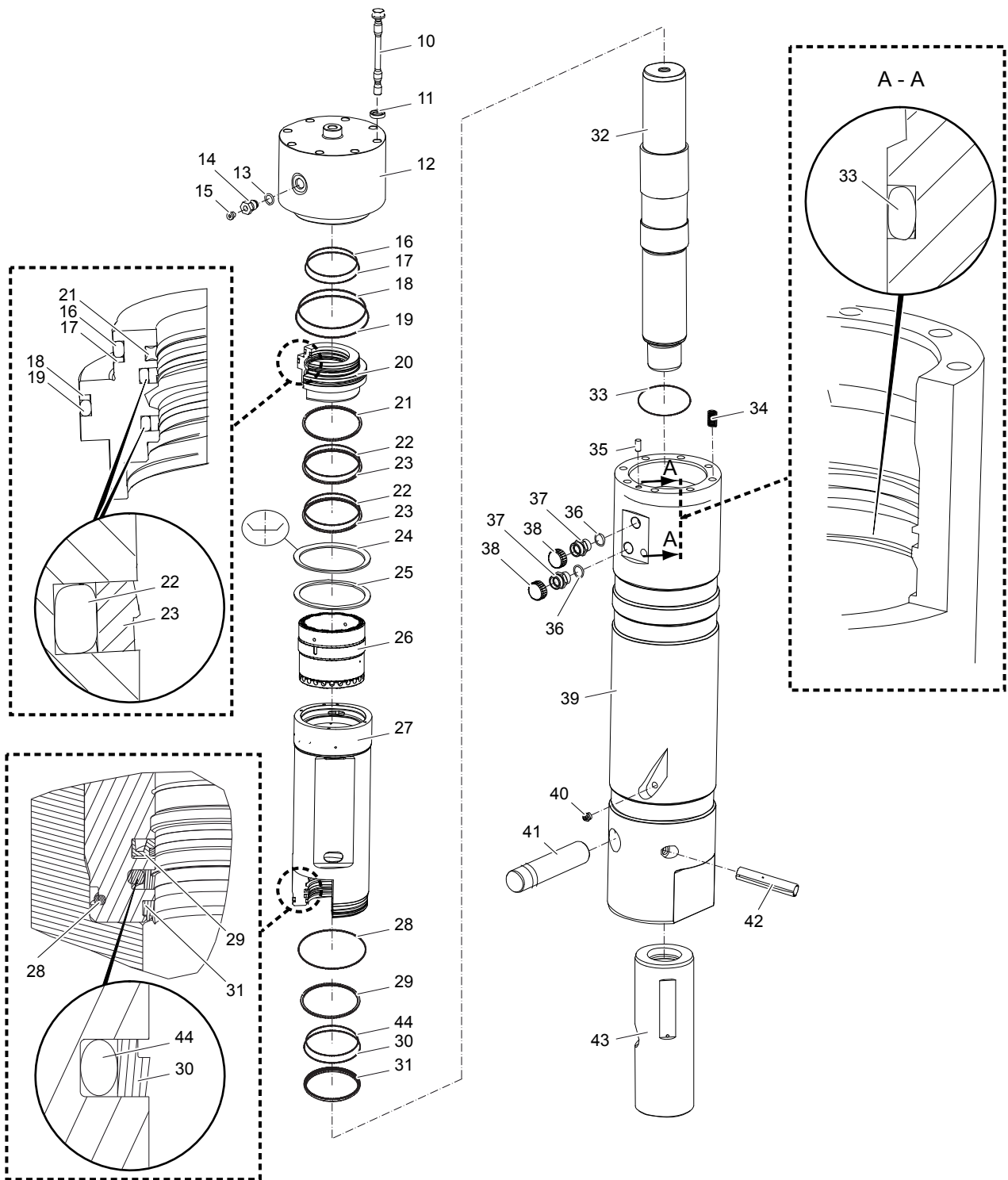
Spare parts list

Hydraulic breaker



No.	Description	Remark	Quantity	Part number
1	Breaker box		1	3362 1100 10
2	Elastic pad		1	3362 4910 11
3	Guide plate		2	3362 4100 03
4	Guide plate		1	3362 4100 02
5	Shock absorber		1	3362 4100 01
6	Plug		2	3362 4910 13
7	Plug		1	3362 4910 14
8	Cover		1	3362 4910 12
9	Plug		2	3362 4910 15

Percussion unit

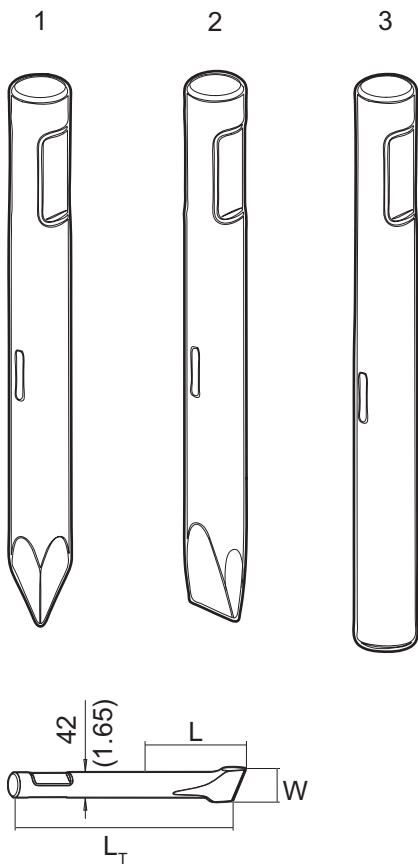


No.	Description	Remark	Quantity	Part number
10	Bolt		8	3361 1910 08
11	Washer		8	3361 1910 09
12	Cover		1	3361 1100 07
13	O-ring		1	0663 9251 00
14	Filling valve		1	3363 0872 86
15	Threaded plug		1	3360 4784 26
16	O-ring	56.74 x 3.53 mm 2.23 x 0.14 in.	1	3361 1920 55
17	Back-up ring	57.71 x 3 mm 2.27 x 0.12 in.	1	3361 1920 56
18	Back-up ring	79.53 x 3 mm 3.13 x 0.12 in.	1	3361 1920 58
19	O-ring	78.97 x 3.53 mm 3.11 x 0.14 in.	1	3361 1920 57
20	Seal bush		1	3361 1100 03
21	Seal	37.46 x 5.33 mm 1.48 x 0.21 in.	1	3361 1920 52
22	O-ring	43.82 x 5.33 mm 1.73 x 0.21 in.	2	3361 1920 72
23	Seal		2	3361 1920 53
24	Plate spring		1	3361 1100 04
25	Spacer		1	3361 1100 05
26	Control valve		1	3361 1101 06
27	Cylinder bush		1	3361 1100 02
28	O-ring	72 x 3.53 mm 2.84 x 0.14 in.	1	3361 1920 61
29	Seal	40 x 55.6 x 6 mm 1.58 x 2.19 x 0.24 in.	1	3361 1920 63
30	Seal		1	3361 1920 64
31	Wiper	40 x 48 x 5 mm 1.58 x 1.89 x 0.20 in.	1	3361 1920 65
32	Piston		1	3315 3325 00
33	Seal		1	3315 2966 05
34	Threaded insert		8	3360 1850 31
35	Dowel pin		1	3363 0702 32
36	O-ring	16.36 x 2.21 mm 0.64 x 0.09 in.	2	3361 1920 66
37	Fitting		2	3361 0316 12
38	Cap		2	3361 3534 85
39	Housing		1	3361 1100 18
40	Grease nipple		1	0544 2153 00
41	Retainer pin		1	3361 1100 10
42	Split pin		1	3363 0838 54
43	Wear bush		1	3361 1100 19
44	O-ring	46.99 x 5.33 mm 1.85 x 0.21 in.	1	3361 1920 68

Tightening torques

No.	Description	Tightening torque	Remark
10	Bolt		<ol style="list-style-type: none">1. Pretighten the bolts to 15 Nm, proceeding in a crosswise fashion,2. then tighten each bolt through 60° in a crosswise fashion,3. finally tighten each bolt again through 30° in a crosswise fashion.
14	Filling valve	130 Nm	
15	Threaded plug	20 Nm	
37	Fitting	60 Nm	
40	Grease nipple	20 Nm	

Working tools



Metric

No.	Description	W (mm)	L (mm)	L _T (mm)	Wt (kg)	Part number
1	Moil point (conical)	-	265	425	4.2	4211 1050 01
2	Chisel (cross)	42	265	425	4.3	4211 1050 02
3	Blunt tool	-	265	425	4.5	4211 1050 03

Imperial

No.	Description	W (in.)	L (in.)	L _T (in.)	Wt (lb)	Part number
1	Moil point (conical)	-	10.43	16.73	9.2	4211 1050 01
2	Chisel (cross)	1.65	10.43	16.73	9.5	4211 1050 02
3	Blunt tool	-	10.43	16.73	9.9	4211 1050 03

Accessories

Optional equipment

Description	Remark	Quantity	Part number
Chisel paste	500 g (1.1 lbs) (carton of 30 pieces)	1	3363 0949 10
Grease gun		1	3363 0345 67
Service box with nitrogen cylinder	2 l 0.44 gal (0.53 US gal)	1	3363 4910 04
Test gauge wear bush		1	3315 3037 00
Adapter plate matching the carrier	Consult the Chicago Pneumatic Customer Center/Dealer in your area.	1	-
Base plate		1	3362 2693 03
Bolt kit		1	3363 1065 07
Allen key	12 mm for bolt kit	1	3360 2092 51
Open end spanner	size 24/27 for bolt kit	1	3360 4306 55

Hydraulic hoses

Description	Remark	Quantity	Part number
Hose	I.D. 12 (0.47 in.), both ends 15 L (M 22 x 1.5) conical seal 24°, length 1750 mm (69 in.)	2	3363 4910 01

Kits

Seal kit

Description	Remark	Quantity	Part number
Seal kit		1	3361 1100 11
O-ring		1	-
Threaded plug		1	-
Seal	37.46 x 5.33 mm 1.48 x 0.21 in. (70 shore)	1	-
Seal		2	-
O-ring	46.99 x 5.33 mm 1.85 x 0.21 in. (70 shore)	1	-
O-ring	56.74 x 3.53 mm 2.23 x 0.14 in. (90 shore)	1	-
Back-up ring	57.71 x 3 mm 2.27 x 0.12 in. (90 shore)	1	-
O-ring	78.97 x 3.53 mm 3.11 x 0.14 in. (90 shore)	1	-
Back-up ring	79.53 x 3 mm 3.13 x 0.12 in. (90 shore)	1	-
O-ring	43.82 x 5.33 mm 1.73 x 0.21 in.	2	-
Seal		1	-
O-ring	72 x 3.53 mm 2.84 x 0.14 in. (90 shore)	1	-
Seal	40 x 55.6 x 6 mm 1.58 x 2.19 x 0.24 in.	1	-
Seal		1	-
Wiper	40 x 48 x 5 mm 1.58 x 1.89 x 0.20 in.	1	-
O-ring	16.36 x 2.21 mm 0.64 x 0.09 in. (90 shore)	2	-

Label kit

Description	Remark	Quantity	Part number
Label kit		1	3315 3856 90

Dimensions

mm (inch)

