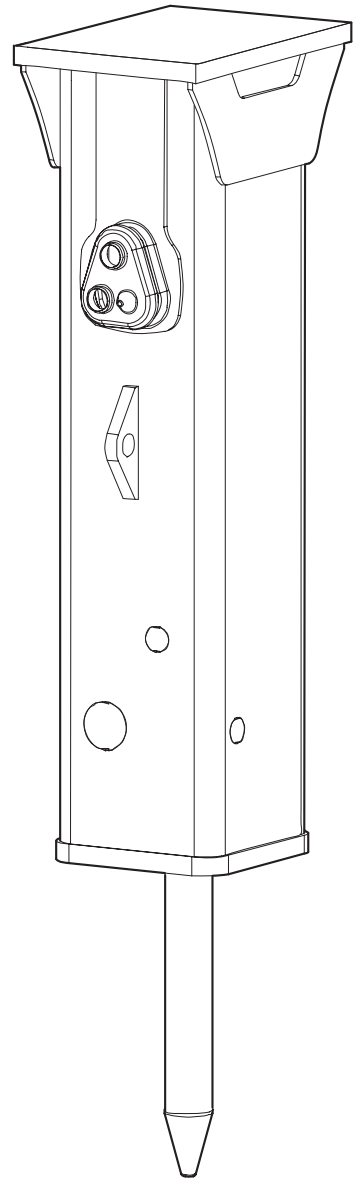


Spare parts list

Hydraulic breakers

RX 3



Contents

General information	5
Spare parts list	6
Hydraulic breaker	6
Percussion unit.....	8
Tightening torques	10
Working tools	11
Accessories	12
Hydraulic hoses.....	12
Optional equipment.....	12
Kits	13
Seal kit.....	13
Label kit	13
Dimensions	14

General information

This spare parts list applies to the following:

Part number	Description
8460 0500 39	Hydraulic breaker RX 3

Use only authorized parts. Any damage or malfunction caused by the use of unauthorized parts is not covered by Warranty or Product Liability. Any unauthorized use or copying of the contents or any part thereof is prohibited. This applies in particular to trademarks, model denominations, part numbers, and drawings.

Instructions for use

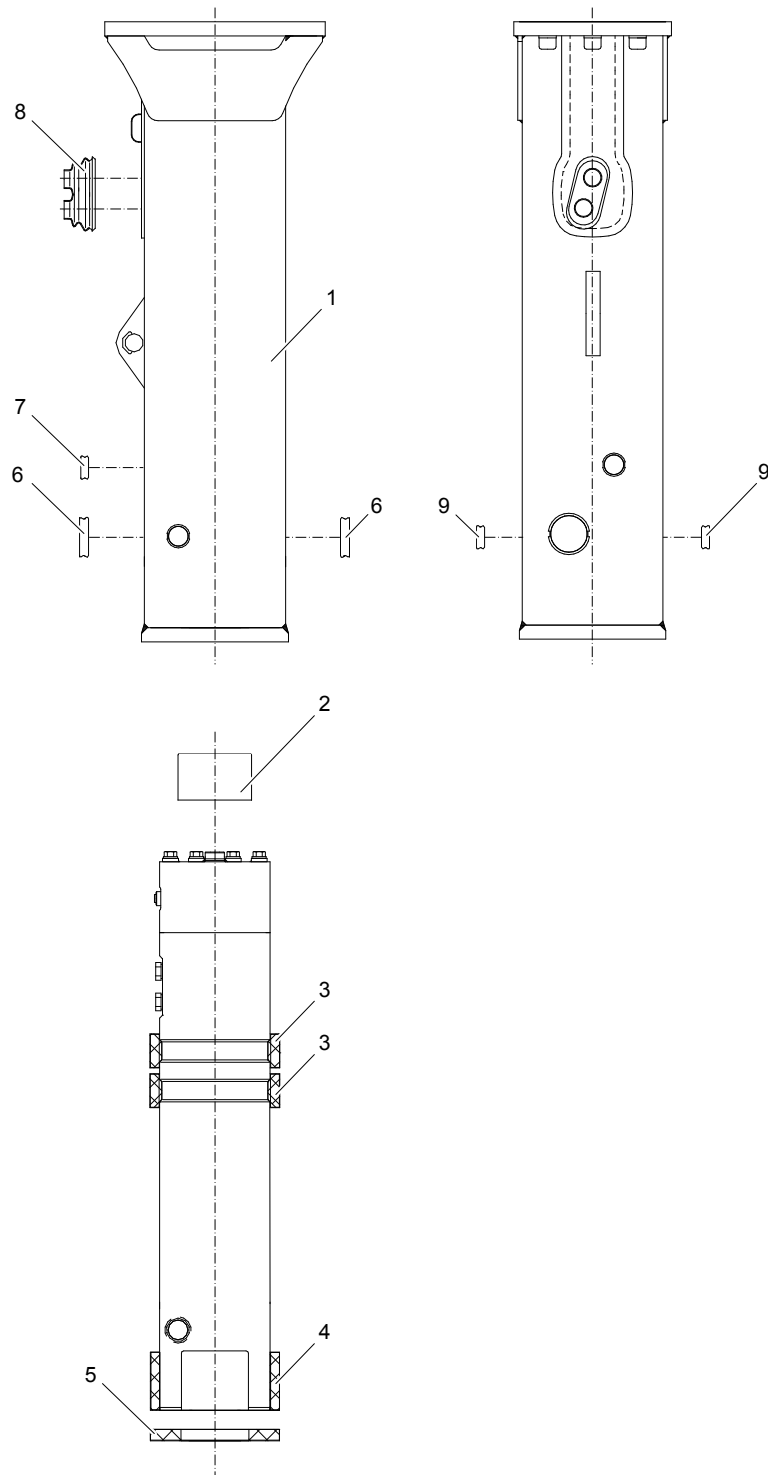
This spare parts list contains no safety regulations and is merely intended to assist in the ordering of spare parts.

For information about operating, servicing, or repairing, the relevant Safety and operating instructions must be consulted at all costs.

Please observe the safety instructions listed in the relevant Safety and operating instructions!

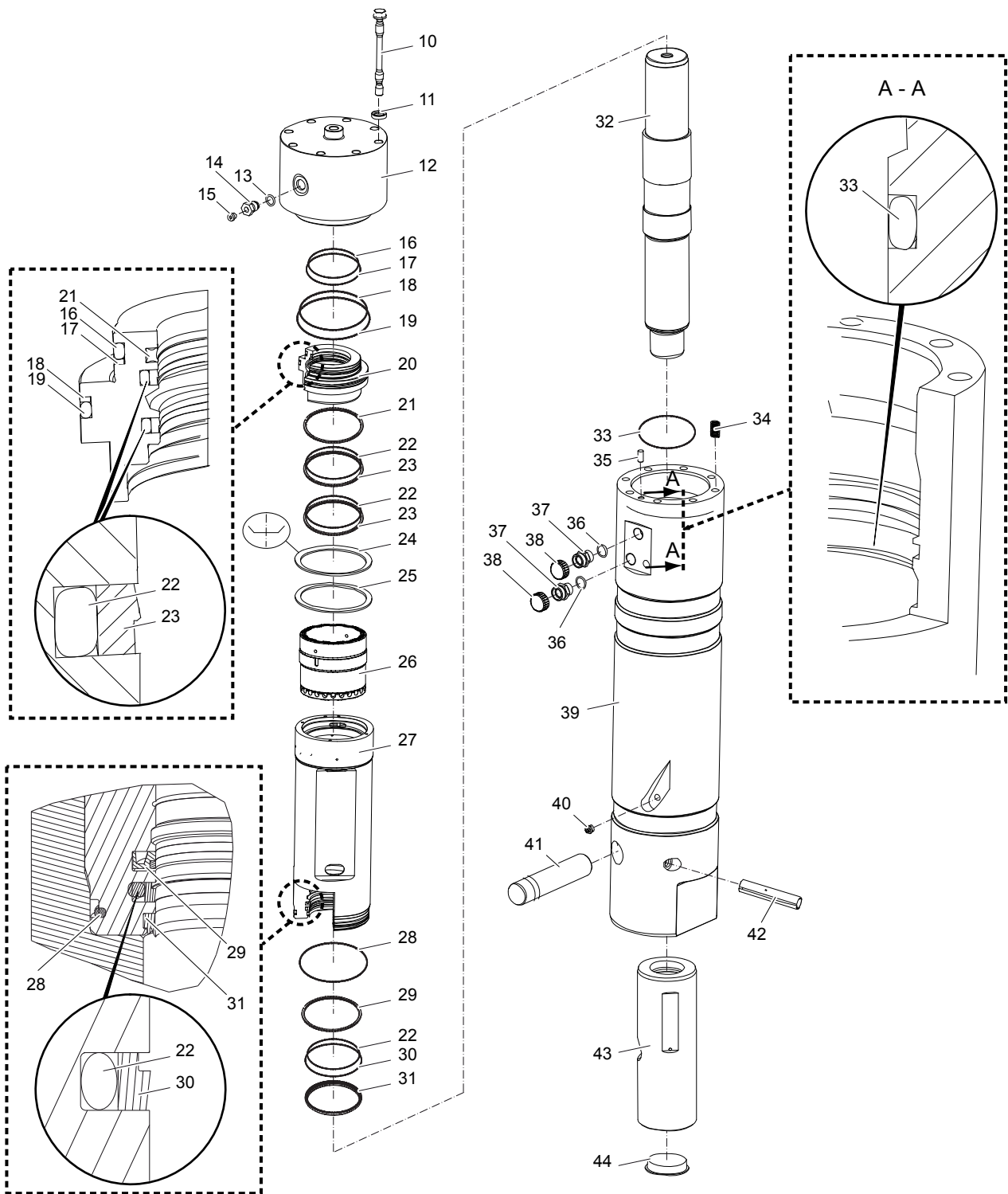
Spare parts list

Hydraulic breaker



No.	Description	Remark	Quantity	Part number
1	Breaker box		1	3362 1200 02
2	Elastic pad		1	3362 4910 08
3	Guide plate		2	3362 4200 03
4	Guide plate		1	3362 4200 02
5	Shock absorber		1	3362 4200 01
6	Plug		2	3362 4910 13
7	Plug		1	3362 4910 14
8	Cover		1	3362 4910 09
9	Plug		2	3362 4910 15

Percussion unit

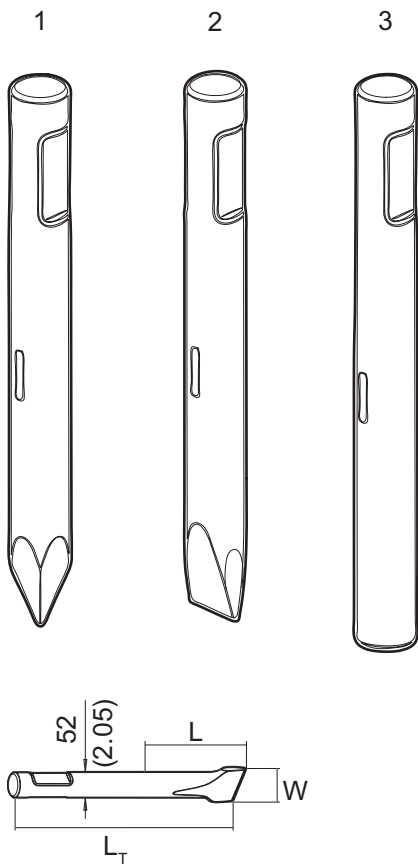


No.	Description	Remark	Quantity	Part number
10	Bolt		10	3361 1910 06
11	Washer		10	3361 1910 07
12	Cover		1	3361 1200 07
13	O-ring		1	0663 9251 00
14	Filling valve		1	3363 0872 86
15	Threaded plug		1	3360 4784 26
16	O-ring	69.22 x 5.33 mm 2.73 x 0.21 in.	1	3361 1920 45
17	Back-up ring	70.31 x 4.65 mm 2.77 x 0.18 in.	1	3361 1920 46
18	Back-up ring	94.83 x 4.65 mm 3.73 x 0.18 in.	1	3361 1920 21
19	O-ring	94.62 x 5.33 mm 3.72 x 0.21 in.	1	3361 1920 20
20	Seal bush		1	3361 1200 03
21	Seal	47 x 5.33 mm 1.85 x 0.21 in.	1	3361 1920 42
22	O-ring	56.52 x 5.33 mm 2.23 x 0.21 in.	3	3361 1920 44
23	Seal		2	3361 1920 43
24	Plate spring		1	3361 1200 04
25	Spacer		1	3361 1200 05
26	Control valve		1	3361 1201 06
27	Cylinder bush		1	3361 1200 02
28	O-ring	88.25 x 5.33 mm 3.47 x 0.21 in.	1	3361 1920 47
29	Seal	50 x 65.5 x 6 mm 1.97 x 2.58 x 0.24 in.	1	3361 1920 49
30	Seal		1	3361 1920 50
31	Wiper		1	3361 1920 51
32	Piston		1	3315 3326 00
33	Seal	Ø 104 mm Ø 4.09 in.	1	3315 2966 10
34	Threaded insert		10	3363 0702 31
35	Dowel pin		1	3363 0702 32
36	O-ring	19.18 x 2.46 mm 0.76 x 0.10 in.	2	3361 1920 67
37	Fitting		2	3361 0314 76
38	Cap		2	3361 3534 86
39	Housing		1	3361 1200 08
40	Grease nipple		1	0544 2153 00
41	Retainer pin		1	3361 1200 10
42	Split pin		1	3363 0838 53
43	Wear bush		1	3361 1200 09
44	Cap		1	3363 0702 33

Tightening torques

No.	Description	Tightening torque	Remark
10	Bolt		<ol style="list-style-type: none">1. Pretighten the bolts to 25 Nm, proceeding in a crosswise fashion,2. then tighten each bolt through 30° in a crosswise fashion,3. finally tighten each bolt again through 30° in a crosswise fashion.
14	Filling valve	130 Nm	
15	Threaded plug	20 Nm	
37	Fitting	90 Nm	
40	Grease nipple	20 Nm	

Working tools



Metric

No.	Description	W (mm)	L (mm)	L _T (mm)	Wt (kg)	Part number
1	Moil point (conical)	-	320	530	8.0	4211 1051 01
2	Chisel (cross)	52	320	530	8.3	4211 1051 02
3	Blunt tool	-	320	530	8.6	4211 1051 03

Imperial

No.	Description	W (in.)	L (in.)	L _T (in.)	Wt (lb)	Part number
1	Moil point (conical)	-	12.60	20.87	17.6	4211 1051 01
2	Chisel (cross)	2.05	12.60	20.87	18.4	4211 1051 02
3	Blunt tool	-	12.60	20.87	19.0	4211 1051 03

Accessories

Hydraulic hoses

Description	Remark	Quantity	Part number
Hose	I.D. 15 (0.59 in.), both ends 18 L (M 26 x 1.5) conical seal 24°, length 1500 mm (59 in.)	2	3363 4910 02

Optional equipment

Description	Remark	Quantity	Part number
Chisel paste	500 g (1.1 lbs) (carton of 30 pieces)	1	3363 0949 10
Grease gun		1	3363 0345 67
Service box with nitrogen cylinder	2 l 0.44 gal (0.53 US gal)	1	3363 4910 04
Test gauge wear bush		1	3315 3037 00
Adapter plate matching the carrier	Consult the Chicago Pneumatic Customer Center/Dealer in your area.	1	-
Base plate		1	3362 2693 03
Bolt kit		1	3363 1065 07
Allen key	12 mm for bolt kit	1	3360 2092 51
Open end spanner	size 24/27 for bolt kit	1	3360 4306 55

Kits

Seal kit

Description	Remark	Quantity	Part number
Seal kit		1	3361 1200 11
O-ring		1	-
Threaded plug		1	-
Seal	47 x 5.33 mm 1.85 x 0.21 in.	1	-
Seal		2	-
O-ring	56.52 x 5.33 mm 2.23 x 0.21 in.	3	-
O-ring	69.22 x 5.33 mm (90 shore) 2.73 x 0.21 in. (90 shore)	1	-
Back-up ring	70.31 x 4.65 mm (90 shore) 2.77 x 0.18 in. (90 shore)	1	-
O-ring	94.62 x 5.33 mm (90 shore) 3.72 x 0.21 in. (90 shore)	1	-
Back-up ring	94.83 x 4.65 mm (90 shore) 3.73 x 0.18 in. (90 shore)	1	-
Seal	Ø 104 mm Ø 4.09 in	1	-
O-ring	88.25 x 5.33 mm (90 shore) 3.47 x 0.21 in. (90 shore)	1	-
Seal	50 x 65.5 x 6 mm 1.97 x 2.58 x 0.24 in.	1	-
Seal		1	-
Wiper		1	-
O-ring	19.18 x 2.46 mm (70 shore) 0.76 x 0.10 in. (70 shore)	2	-

Label kit

Description	Remark	Quantity	Part number
Label kit		1	3315 3857 90

Dimensions

mm (inch)

