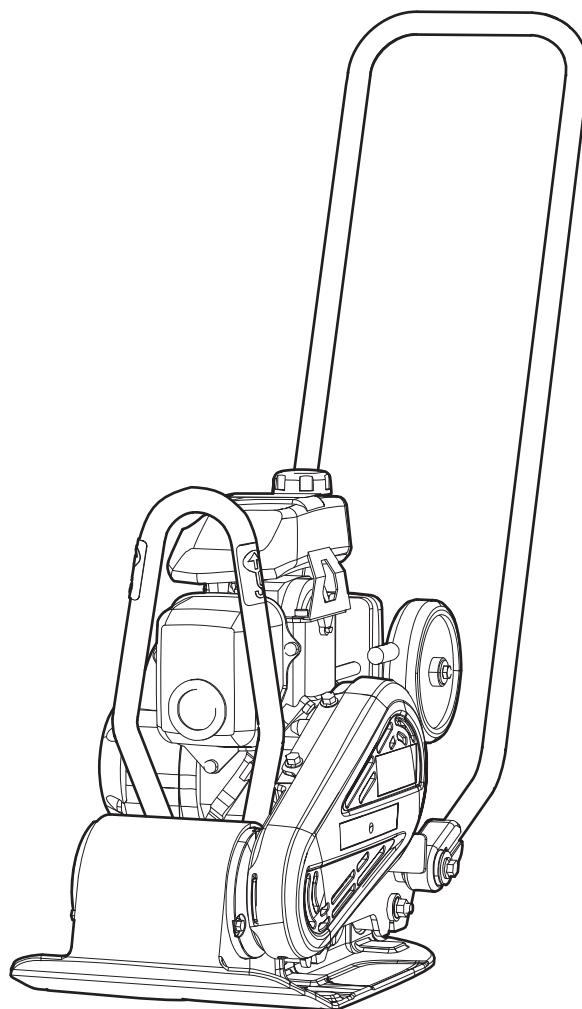


# Spare parts list

## Forward plate

### MV 52

	Valid from serial number
MV 52 Honda 320 mm	27608531
MV 52 Honda 320 mm	BGF000001





# Contents

<b>General information</b> .....	5
<b>Spare parts list</b> .....	6
Engine plate installation, Honda.....	6
Ground plate installation.....	8
Transport device.....	10
Engine installation, Honda.....	12
Engine, Honda GX 100 SE3 OH.....	14
Transmission cover, Honda.....	16
Handle.....	18
Labels.....	20
<b>Kits</b> .....	22
One year service kit.....	22
Shock absorber repair kit.....	22
Eccentric element repair kit.....	22
Transport device kit.....	23



## General information

This spare parts list applies to the following:

Part number	Description
4812 0991 25	Forward plate MV 52 Honda 320 mm (12.60 in.)

Use only authorized parts. Any damage or malfunction caused by the use of unauthorized parts is not covered by Warranty or Product Liability. Any unauthorized use or copying of the contents or any part thereof is prohibited. This applies in particular to trademarks, model denominations, part numbers, and drawings.

### Instructions for use

This spare parts list contains no safety regulations and is merely intended to assist in the ordering of spare parts.

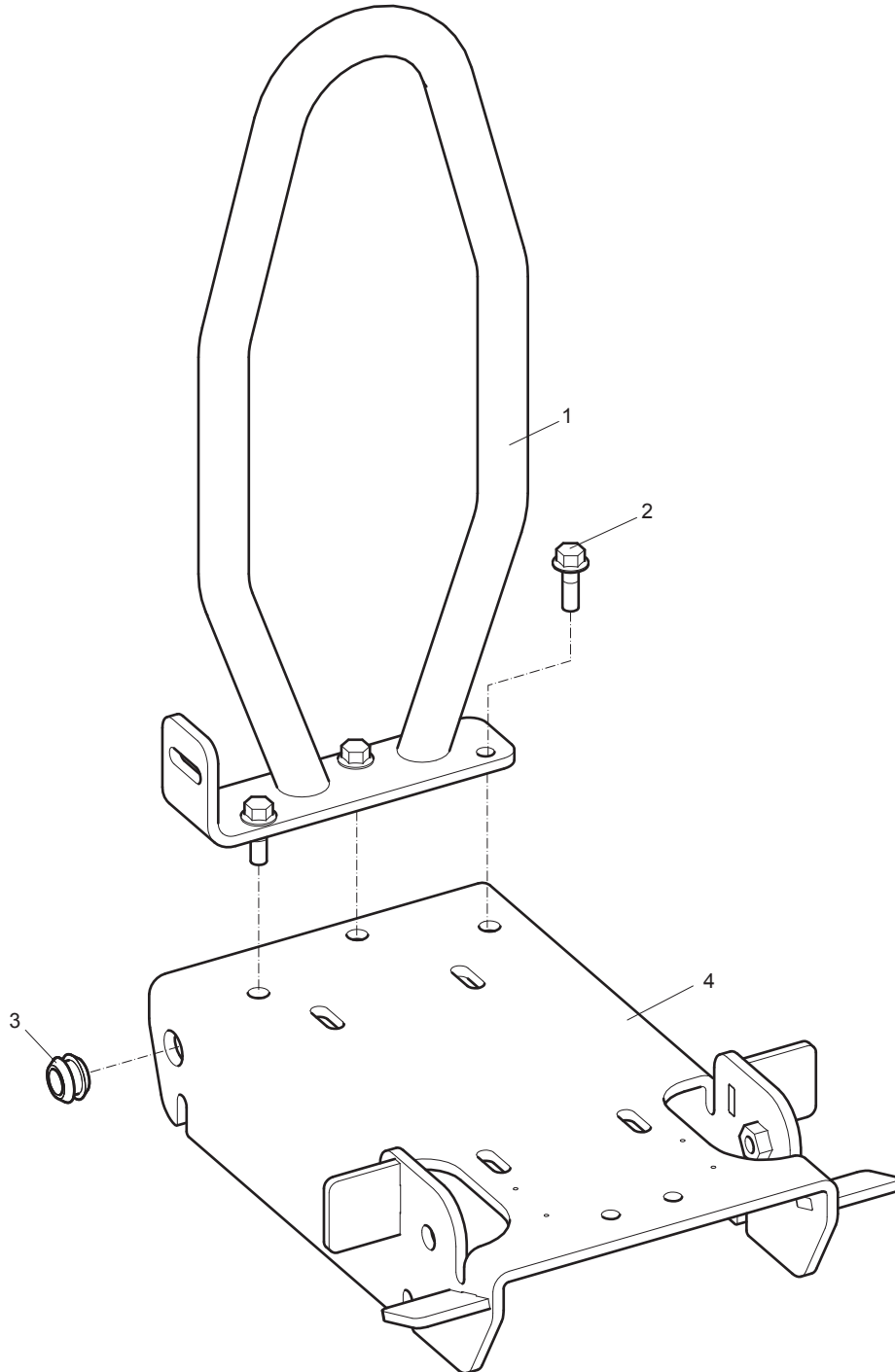
For information about operating, servicing, or repairing, the relevant Safety and operating instructions must be consulted at all costs.

Please observe the safety instructions listed in the relevant Safety and operating instructions!

# Spare parts list

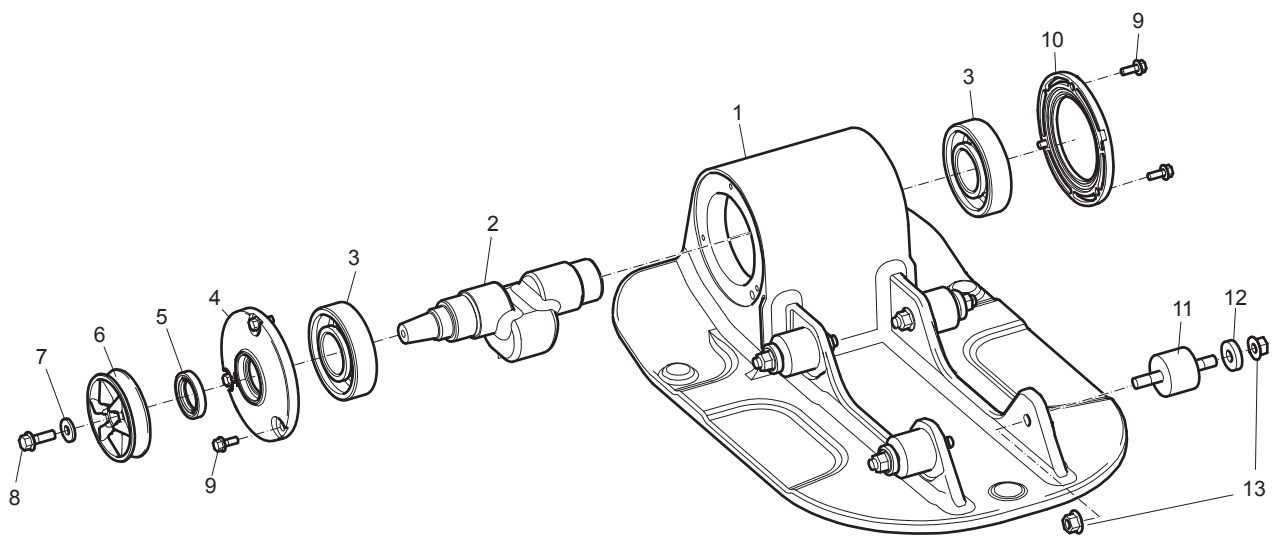
## Engine plate installation, Honda

---



No.	Description	Remark	Quantity	Part number
1	Lifting eye		1	3382 0108 48
2	Screw	M8 x 20 mm 8.8 A2K	3	-
3	Grommet		2	4700 9091 07
4	Engine plate		1	4812 0705 11

# Ground plate installation

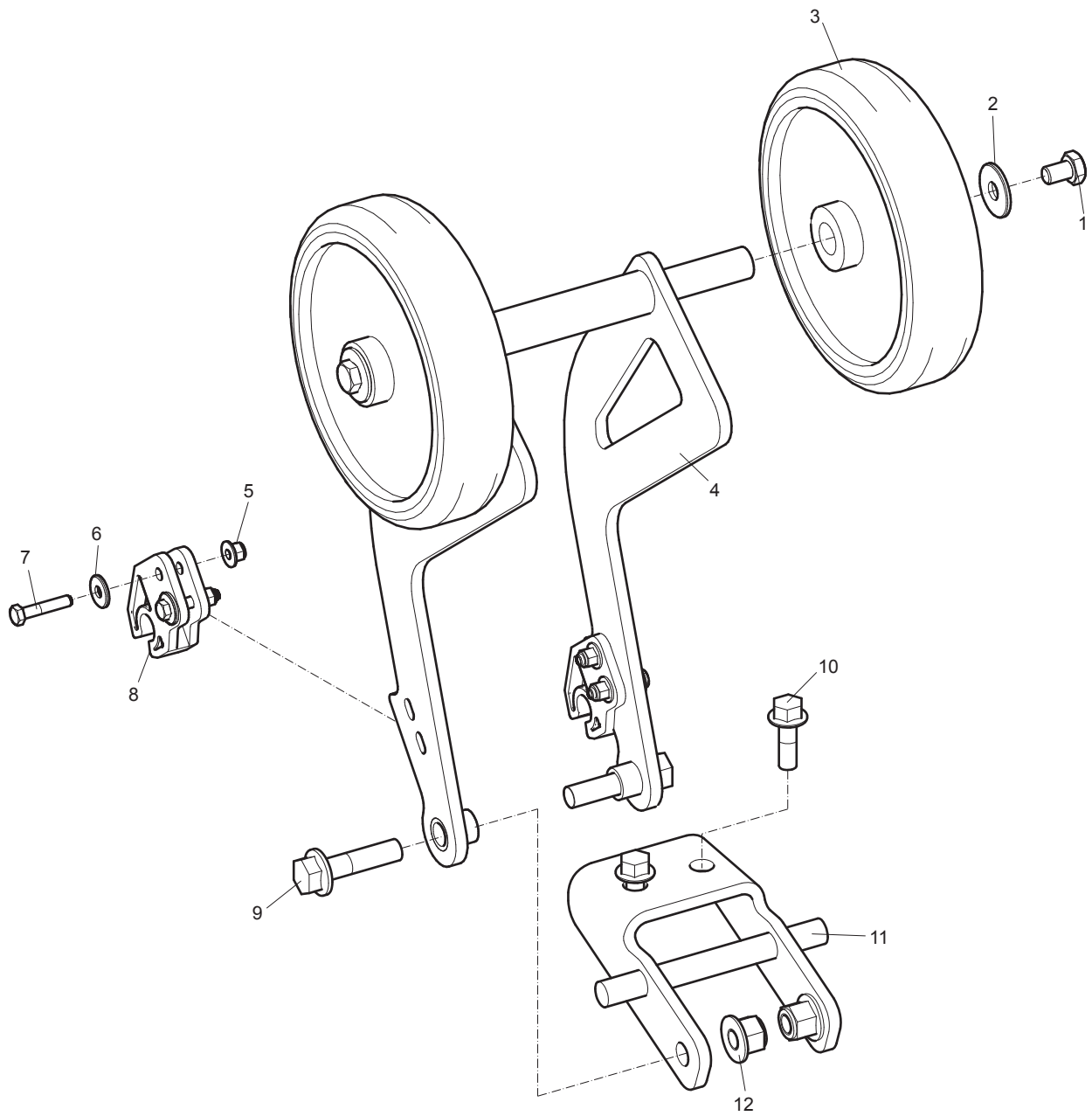




No.	Description	Remark	Quantity	Part number
1	Ground plate		1	3382 0101 46
2	Eccentric shaft		1	4700 3918 42
3	Ball bearing		2	4700 7927 10
4	Cover		1	4700 3965 48
5	Lip-type oil seal		1	4700 1631 05
6	V-belt pulley		1	4700 3950 13
7	Washer	8.4 x 22 x 3 mm 0.33 x 0.87 x 0.12 in. 300 HV	1	-
8	Screw	M8 x 25 mm 8.8 A2K	1	-
9	Screw	M6 x 16 mm 8.8 A2K	6	-
10	Cover		1	4700 3965 49
11	Shock absorber		4	4700 7927 06
12	Washer	10.5 x 28 x 6 mm 0.41 x 1.10 x 0.24 in. 300 HV	4	-
13	Nut	M10 x 1.5 mm GEOMET®	8	4700 5701 03

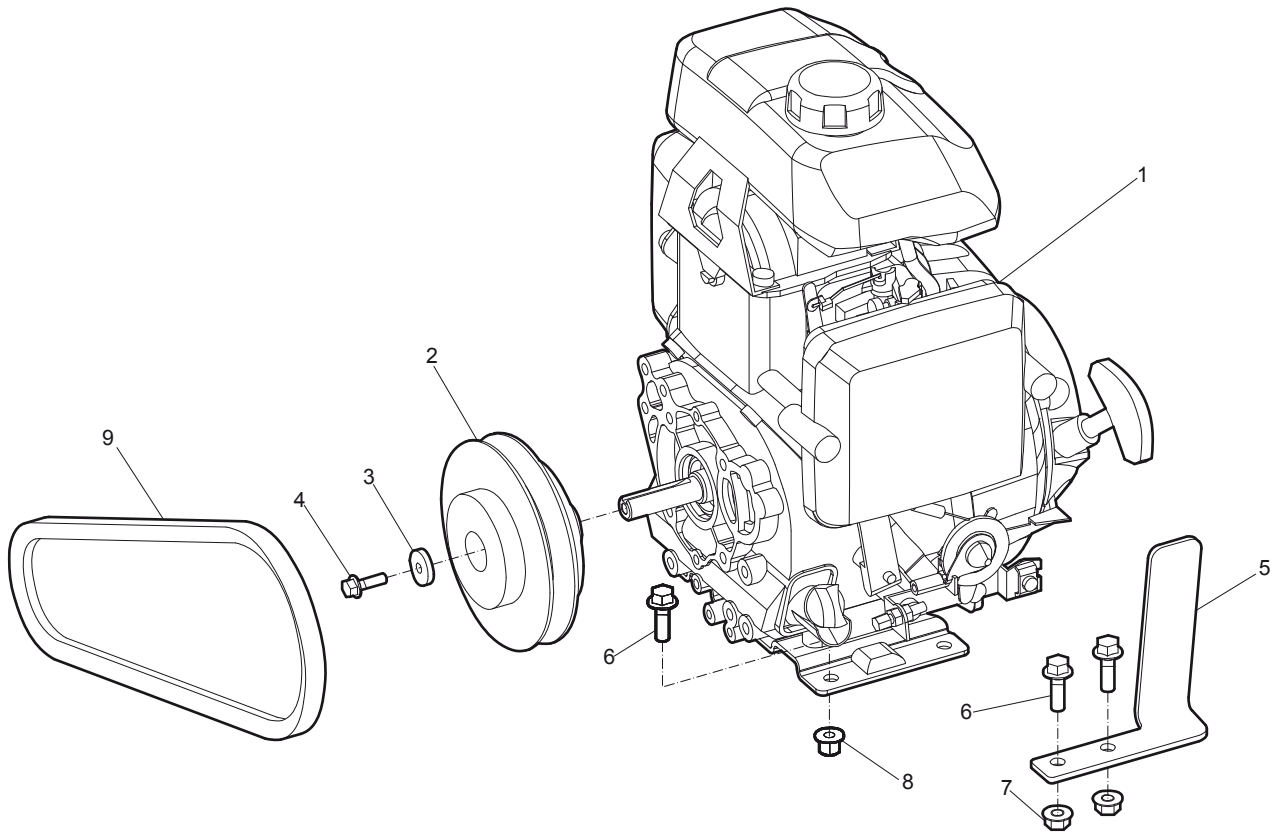
GEOMET is a registered trademark of Nof Metal Coatings North America Inc.

# Transport device



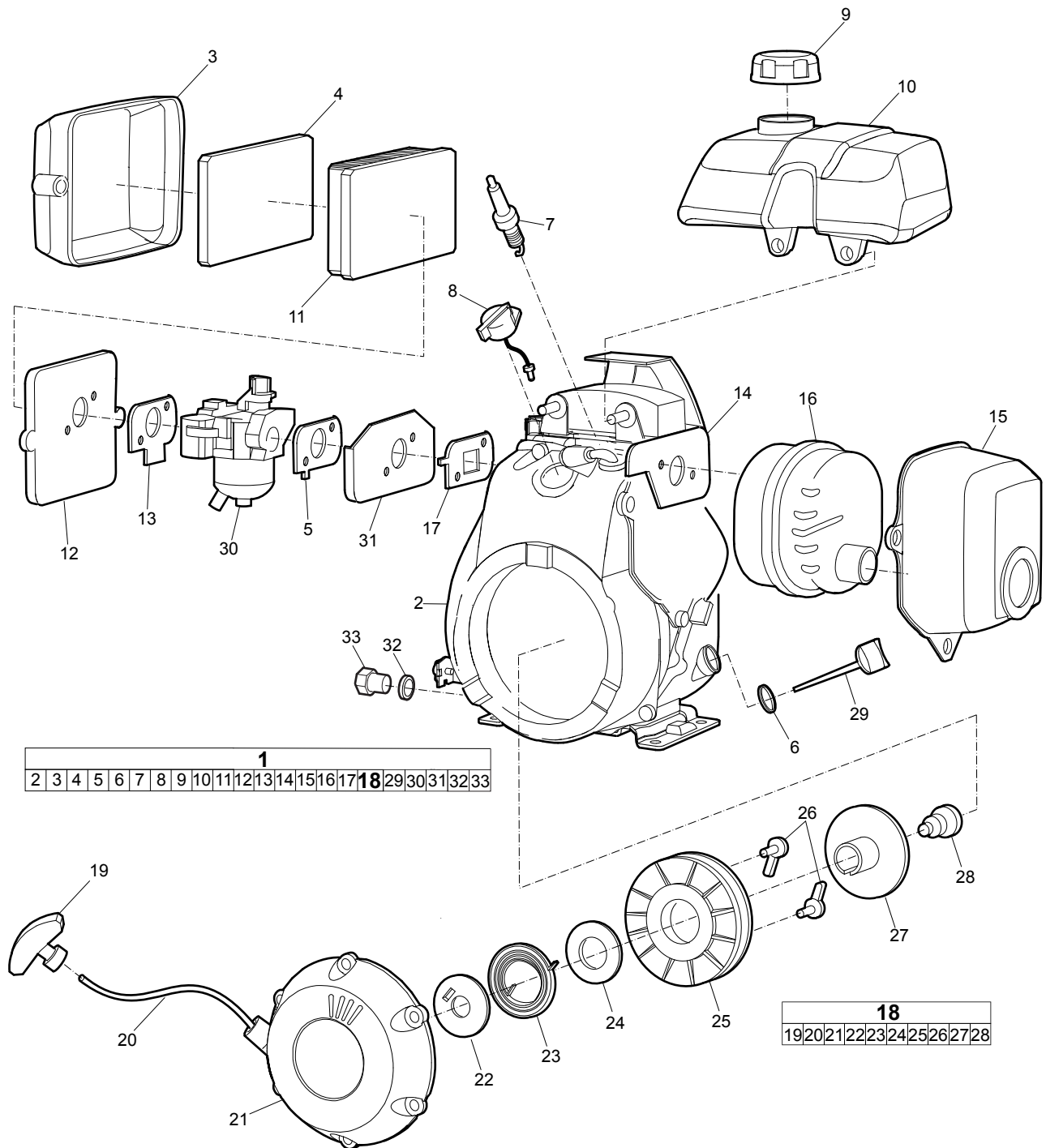
No.	Description	Remark	Quantity	Part number
1	Screw	M8 x 12 mm 8.8 A2K	2	-
2	Washer	8.4 x 25 x 2 mm 0.33 x 0.98 x 0.08 in.	2	-
3	Wheel		2	4700 3835 82
4	Bracket		1	4700 3931 58
5	Nut	M5 A2K	4	-
6	Washer	8.4 x 25 x 2 mm 0.33 x 0.98 x 0.08 in.	4	-
7	Screw	M5 x 25 mm 8.8 A2K	4	-
8	Clip		2	-
9	Screw with flange	M10 x 40 mm 8.8 A3K	2	-
10	Screw	M8 x 25 mm 8.8 A2K	2	-
11	Bracket		1	4700 3931 59
12	Nut	M10 x 1.5 mm A3K	2	-

# Engine installation, Honda



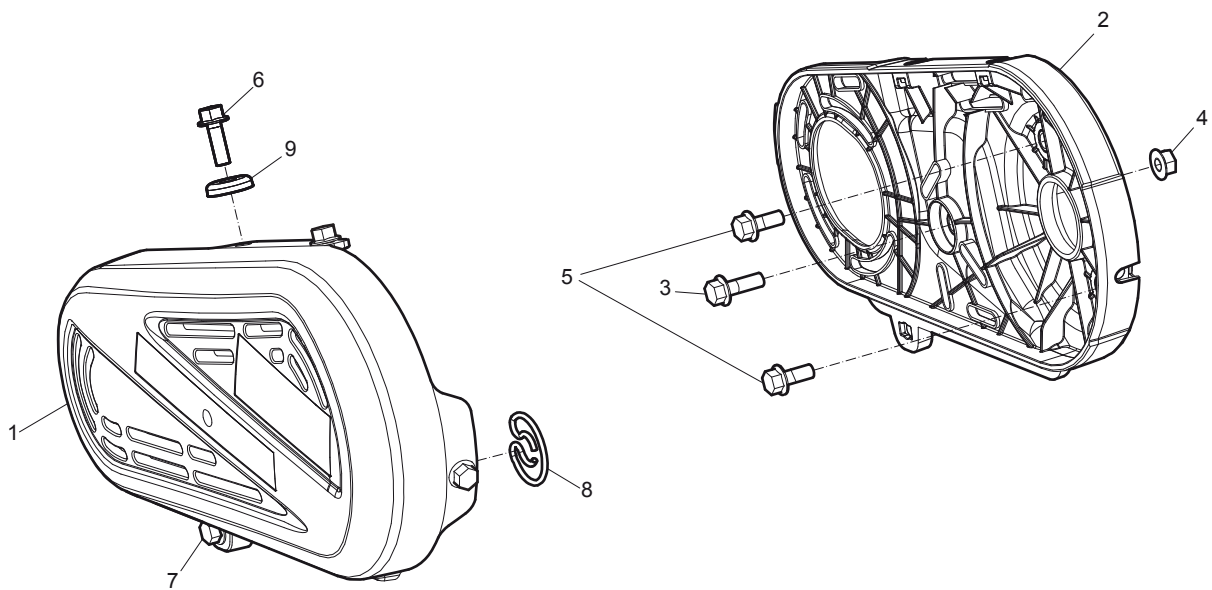
No.	Description	Remark	Quantity	Part number
1	Engine	See section "Engine"	1	-
2	Centrifugal clutch		1	4700 3919 93
3	Washer	6.4 x 22 x 4 mm 0.25 x 0.87 x 0.16 in. 300 HV	1	-
4	Screw	M6 x 20 mm 8.8 A2K	1	-
5	Protective plate		1	4700 3959 38
6	Screw	M8 x 25 mm 8.8 A2K	6	-
7	Nut	M8 x 1.25 mm A2K	2	-
8	Lock nut	M8 x 1.25 mm A2K	4	-
9	V-belt		1	4700 3956 57

# Engine, Honda GX 100 SE3 OH



No.	Description	Remark	Quantity	Part number
<b>1(2-17,18,29-33)</b>	<b>Engine, complete</b>	Honda GX 100 SE3 OH	1	4700 3879 90
2	Engine		1	-
3	Air filter cover		1	4700 9389 75
4	Air filter	Outer	1	4700 9389 33
5	Gasket		1	4700 9382 85
6	Sealing		1	4700 9384 77
7	Spark plug		1	4700 9389 34
8	Switch		1	4700 9402 93
9	Fuel cap		1	4700 9396 88
10	Fuel tank		1	4700 9396 87
11	Air filter	Inner	1	4700 9389 32
12	Air filter housing		1	4700 9398 62
13	Gasket		1	4700 9407 49
14	Gasket		1	4700 9397 37
15	Cover		1	3382 1001 37
16	Silencer		1	4700 9389 71
17	Gasket		1	4700 9456 59
<b>18(19-28)</b>	<b>Recoil starter, complete</b>	Black	1	3382 1001 38
19	Handle		1	4700 2393 71
20	Rope		1	4700 9396 90
21	Cover	Black	1	3382 1001 39
22	Plate		1	3382 1001 40
23	Spring		1	4700 2393 75
24	Washer		1	3382 1001 41
25	Reel		1	3382 1001 42
26	Ratchet		2	4700 9384 81
27	Guide		1	4700 9384 82
28	Set screw		1	4700 2393 81
29	Oil dip stick		1	4700 9389 77
30	Carburettor		1	4700 9396 86
31	Insulator		1	4700 9398 59
32	Gasket		1	4700 2383 03
33	Oil drain plug		1	4700 2393 75

# Transmission cover, Honda

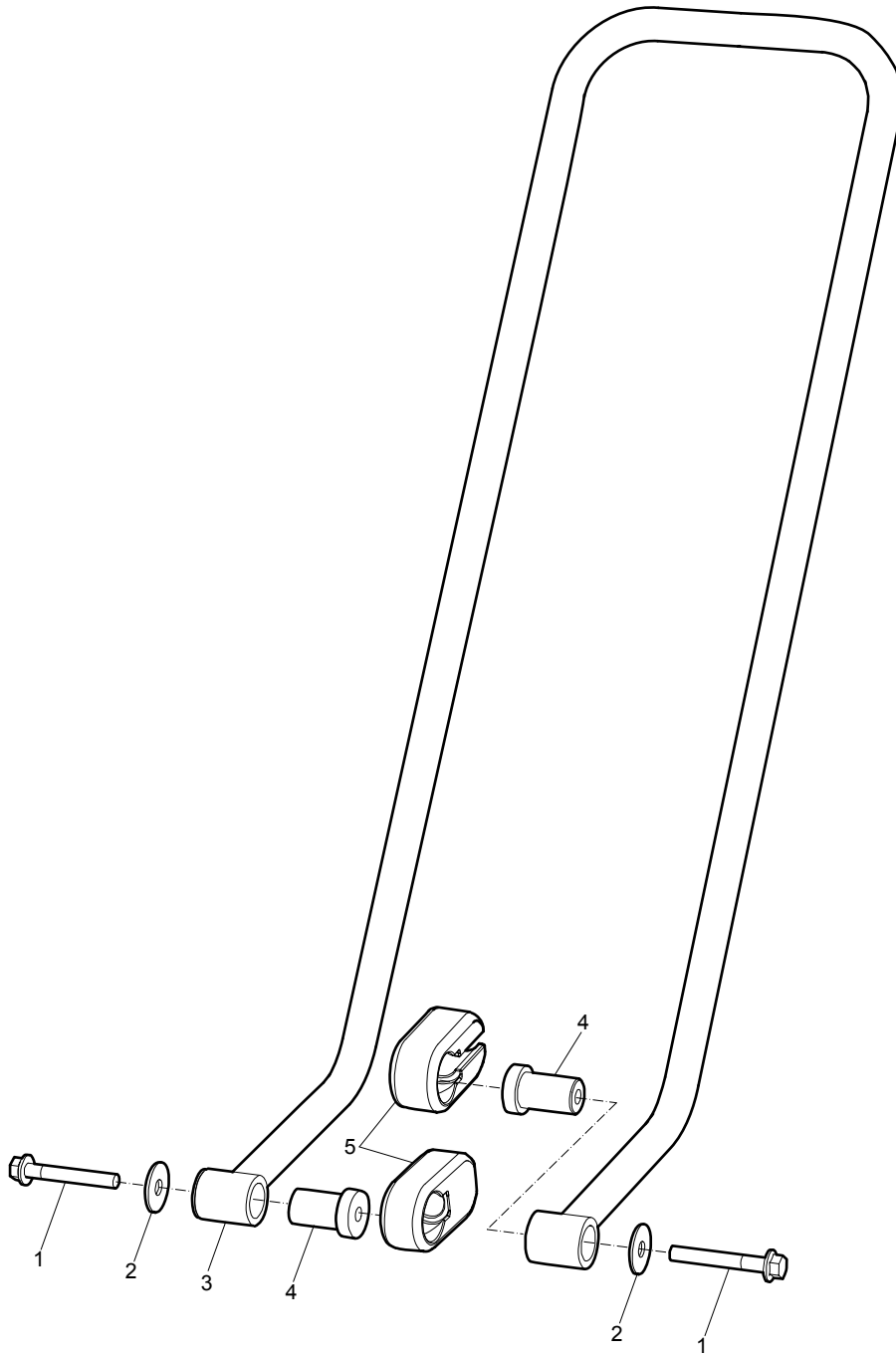




No.	Description	Remark	Quantity	Part number
1	Belt guard	Outer	1	4812 0705 13
2	Belt guard	Inner	1	4700 3939 66
3	Screw	M8 x 25 mm 8.8 A2K	1	-
4	Nut	M8 x 1.25 mm A2K	1	-
5	Screw	M8 x 20 mm 8.8 A2K	2	-
6	Screw	M8 x 30 mm 8.8 A2K	3	-
7	Screw		1	4812 0703 68
8	Lock spring		1	4812 0704 31
9	Washer		3	4812 0703 64

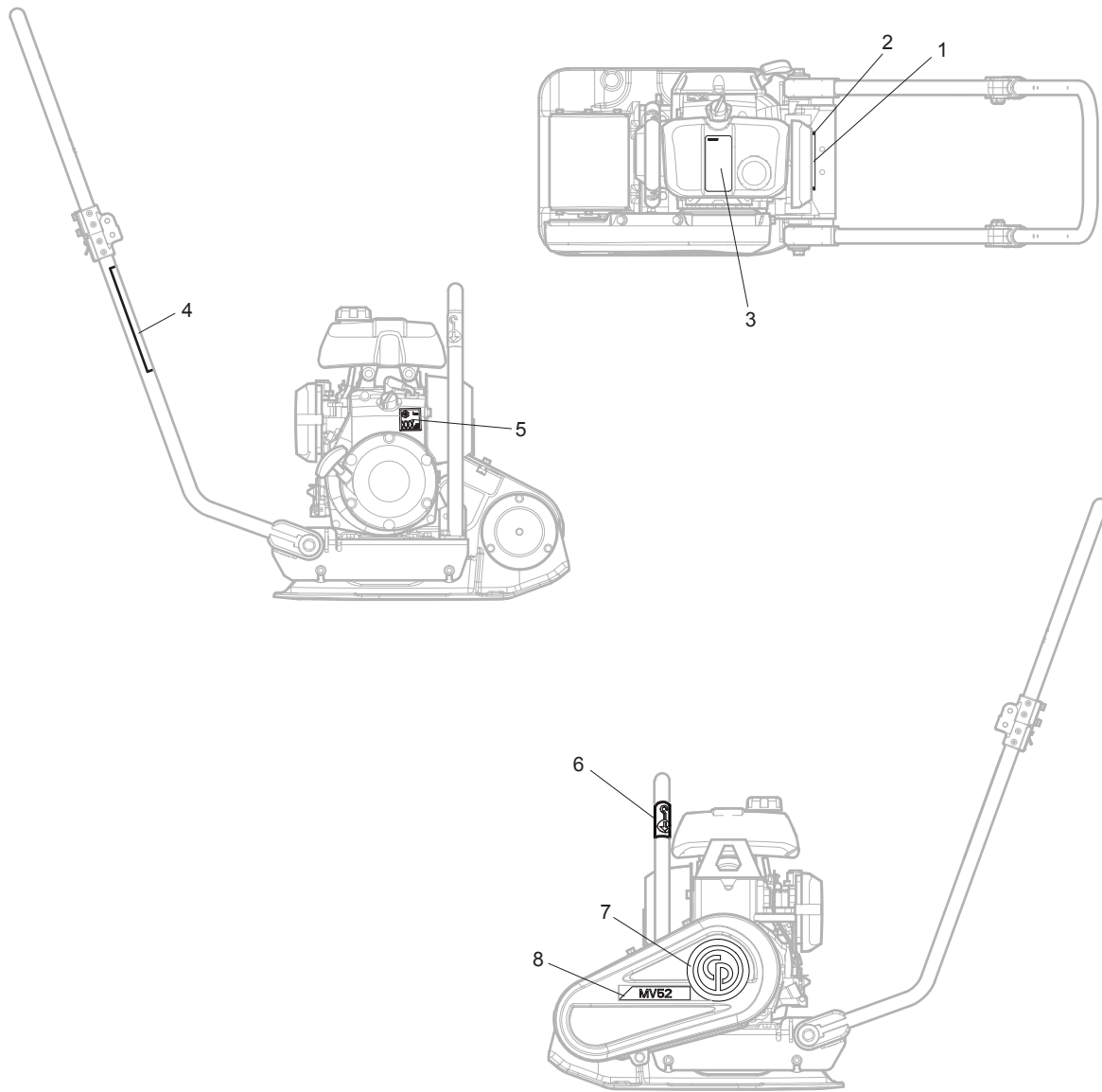
# Handle

---



No.	Description	Remark	Quantity	Part number
1	Screw	M10 x 70 mm 8.8 A3K	2	-
2	Washer	11 x 35 x 2 mm 0.43 x 1.37 x 0.08 in.	2	-
3	Handle		1	3382 0106 45
4	Sleeve bearing		2	4700 3920 84
5	Shock absorber		2	4700 3918 22

# Labels



No.	Description	Remark	Quantity	Part number
1	Data plate		1	-
2	Drive screw		4	-
3	Label	Assembly	1	4700 3947 08
4	Label	Start instruction	1	4700 3947 04
5	Noise level label		1	4700 7912 88
6	Label	Lift point	2	4700 3575 87
7	Product label	"Chicago Pneumatic"	1	3315 3856 05
8	Product label	"MV 52"	1	4812 0705 51

## Kits

### One year service kit

#### One year service kit

Part number 3382 1000 00

Description	Remark	Quantity	Part number
Inner air filter		5	4700 9389 32
Outer air filter		5	4700 9389 33
Gasket	For oil dipstick	1	4700 9384 77
V-belt	See section "Engine installation"	1	4700 3956 57
Starting rope		1	4700 9396 90
Spark plug		1	4700 9389 34

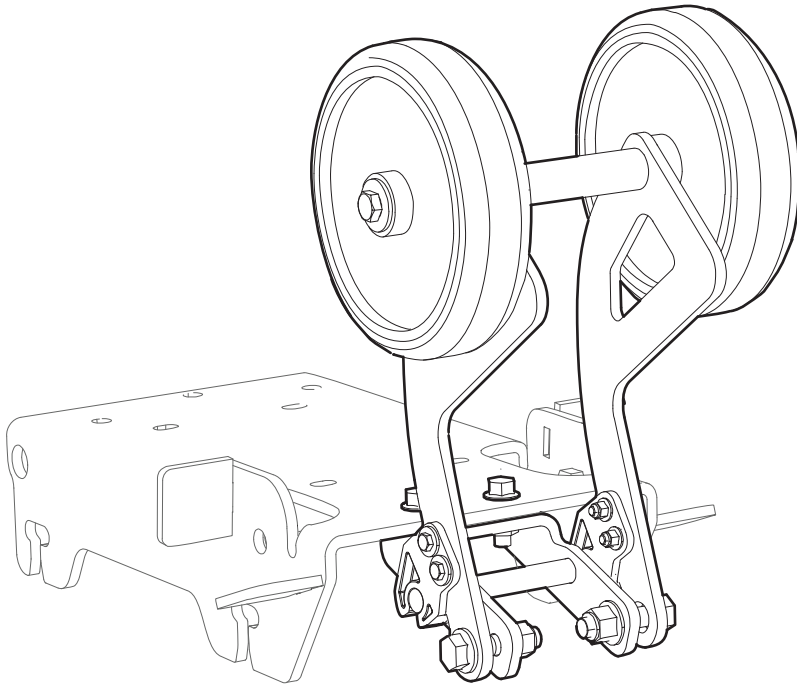
### Shock absorber repair kit

Description	Remark	Quantity	Part number
<b>Shock absorber repair kit</b>		1	3382 1000 05
Shock absorber	For ground plate See section "Ground plate installation".	4	4700 7927 06
Washer	10.5 x 28 x 6 mm 0.41 x 1.10 x 0.24 in. 300 HV See section "Ground plate installation".	4	-
Nut	M10 A3K See section "Ground plate installation".	8	-
Shock absorber	For handle See section "Handle, standard".	2	4700 3918 22
Washer	11 x 35 x 2 mm 0.43 x 1.38 x 0.08 in See section "Handle, standard".	2	-
Screw	M10 x 70 mm 8.8 A3K See section "Handle, standard".	2	-

### Eccentric element repair kit

Description	Remark	Quantity	Part number
<b>Eccentric element repair kit</b>		1	3382 1000 03
Screw	M8 x 25 mm 8.8 A2K See section "Ground plate installation".	1	-
Washer	8.4 x 22 x 3 mm 0.33 x 0.87 x 0.12 in. HV300 See section "Ground plate installation".	1	-
Oil seal	See section "Ground plate installation".	1	4700 1631 05
Screw	M6 x 16 mm 8.8 A2K See section "Ground plate installation".	6	-
Bearing	See section "Ground plate installation".	2	4700 7927 10

## Transport device kit



Description	Remark	Quantity	Part number
<b>Transport device kit</b>		1	4812 0701 63
Wheel bracket		1	-
Nut	M10 x 1.5 mm A3K	2	-
Screw	M10 x 40 mm 8.8 A3K	2	-
Screw	M8 x 25 mm 8.8 A2K	2	-
Bracket		1	-
Wheel		2	-
Clip		2	-
Nut	M5 A2K	4	-
Screw	M5 x 25 mm 8.8 A2K	4	-
Washer	8.4 x 25 x 2 mm 0.33 x 0.98 x 0.08 in.	4	-
Washer	8.4 x 25 x 2 mm 0.33 x 0.98 x 0.08 in.	2	-
Screw	M8 x 12 mm 8.8 A2K	2	-











