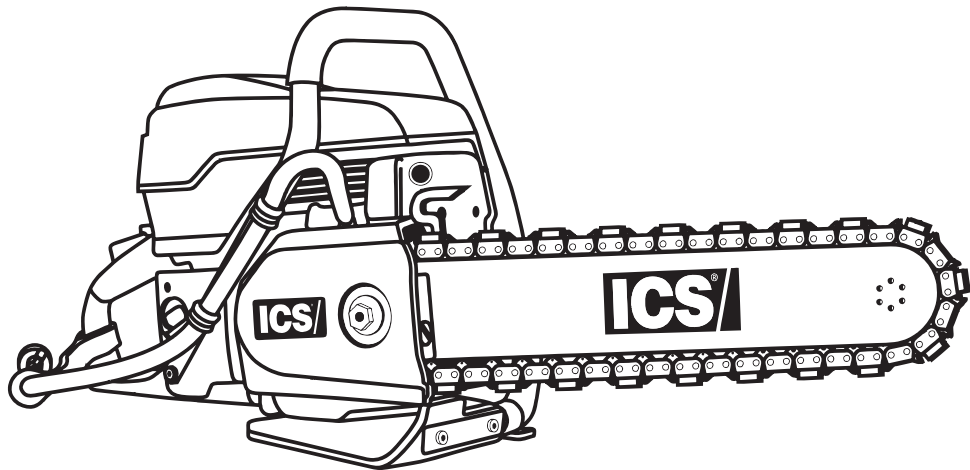




**Diamond Tools and Equipment  
for Construction and Infrastructure**

# Replacement Parts & Accessories Price List



## 695XL Gas Concrete Saw

Effective January 1, 2017

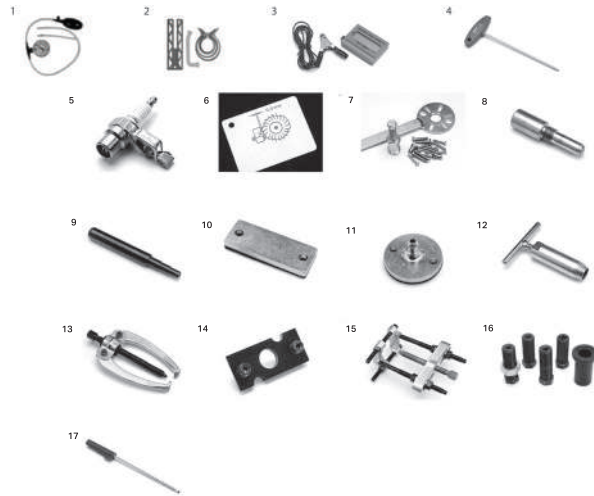
# TABLE OF CONTENTS

## 695XL Gas Saw

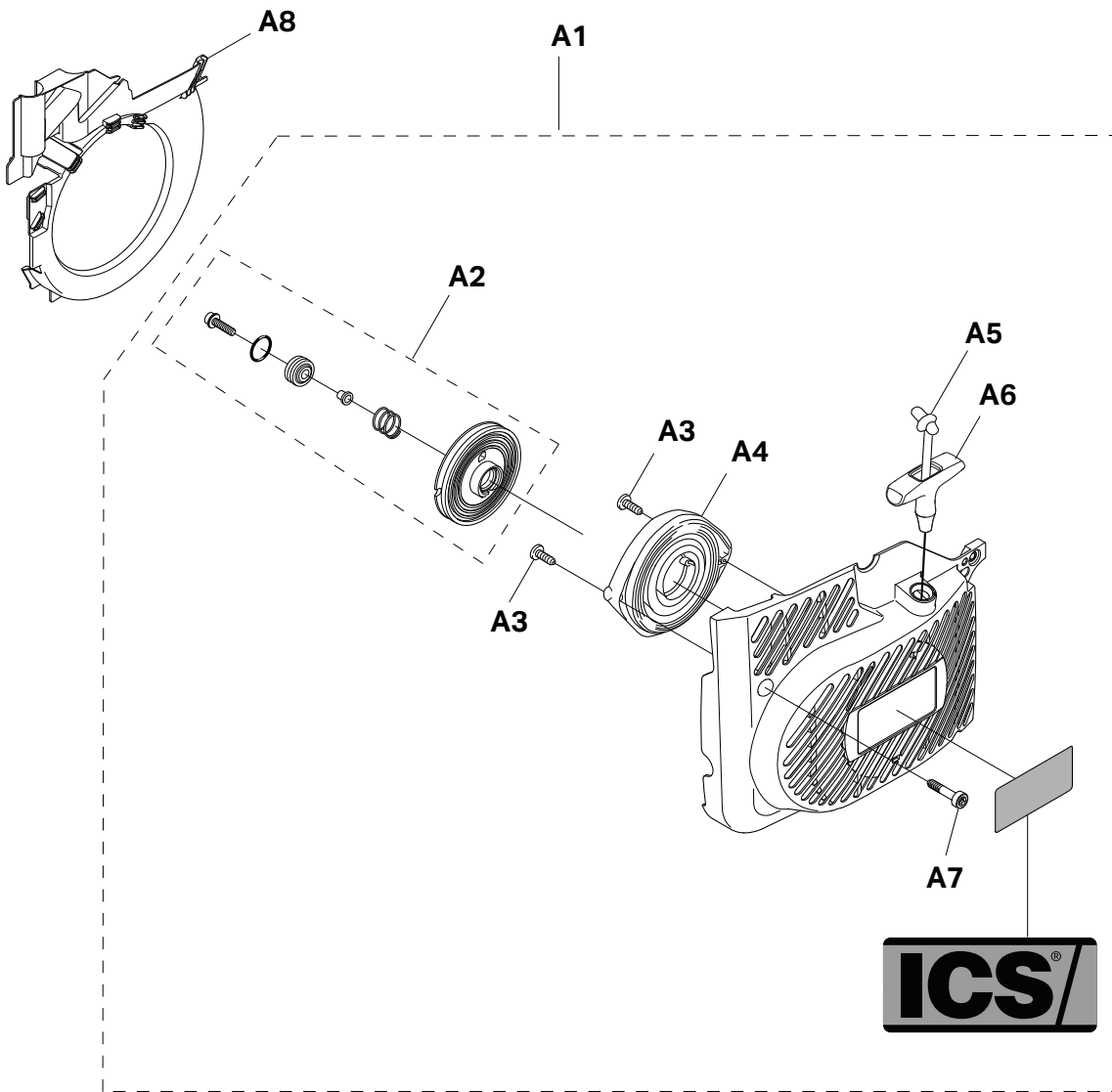
| ITEM DESCRIPTION                       | KEY | PAGE |
|--|-----|------|
| 695XL Gas Saw Service Items            | n/a | 2    |
| Starter Assembly                       | A   | 3    |
| Flywheel & Ignition Assembly           | B   | 4    |
| Clutch Assembly & WallWalker®          | C   | 5    |
| Side Cover & Tensioner Assembly        | D   | 6    |
| Cylinder & Exhaust Assemblies          | E   | 7    |
| Crankcase Assembly                     | F   | 8    |
| Crankshaft Assembly                    | G   | 9    |
| Carburetor & Intake Assemblies         | I   | 11   |
| Cylinder & Air Filter Cover Assemblies | J   | 12   |
| Fuel Tank Assembly                     | K   | 13   |
| Water Delivery System                  | L   | 14   |

# SERVICE ITEMS

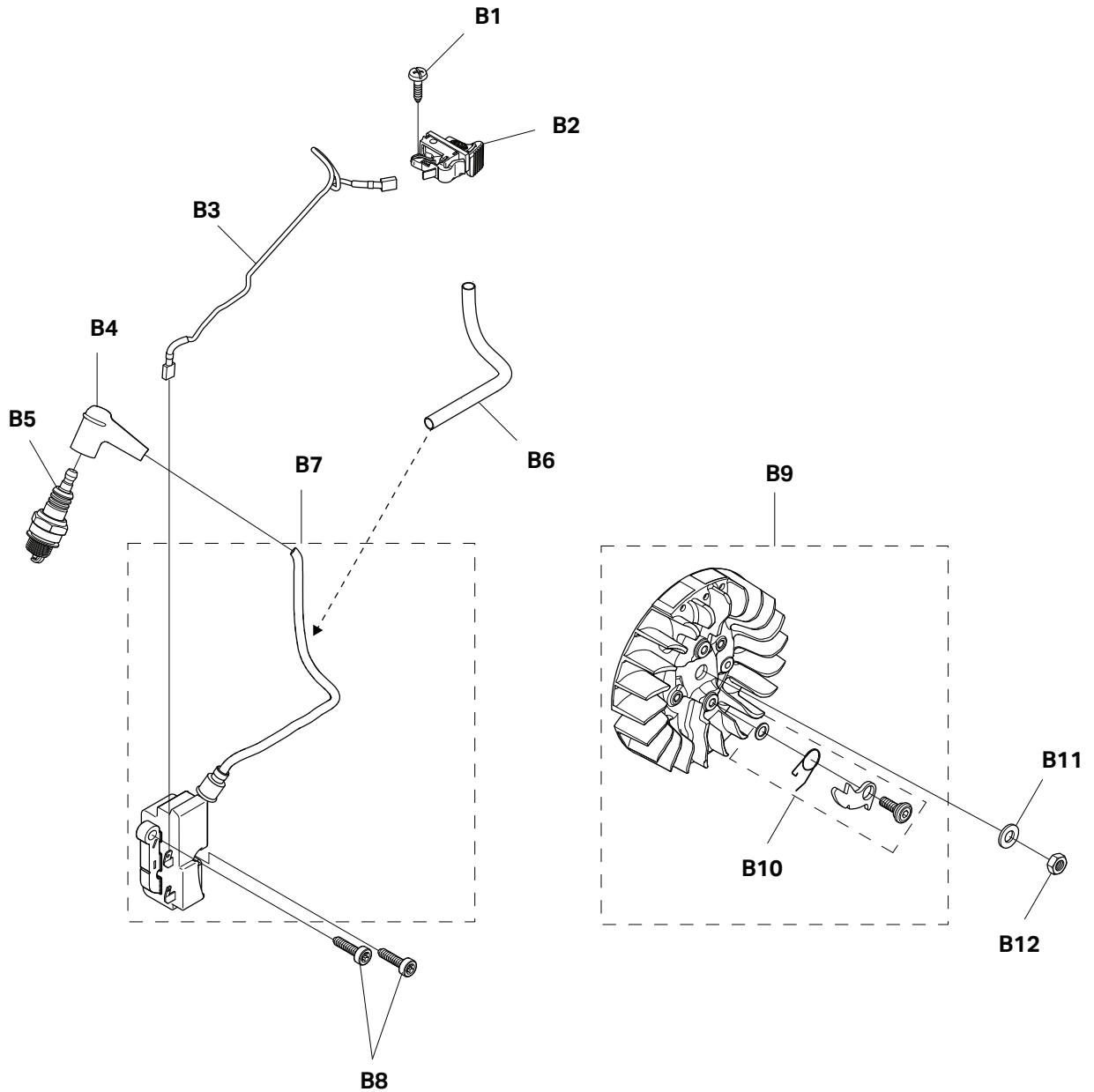
## 695XL Gas Concrete Saw



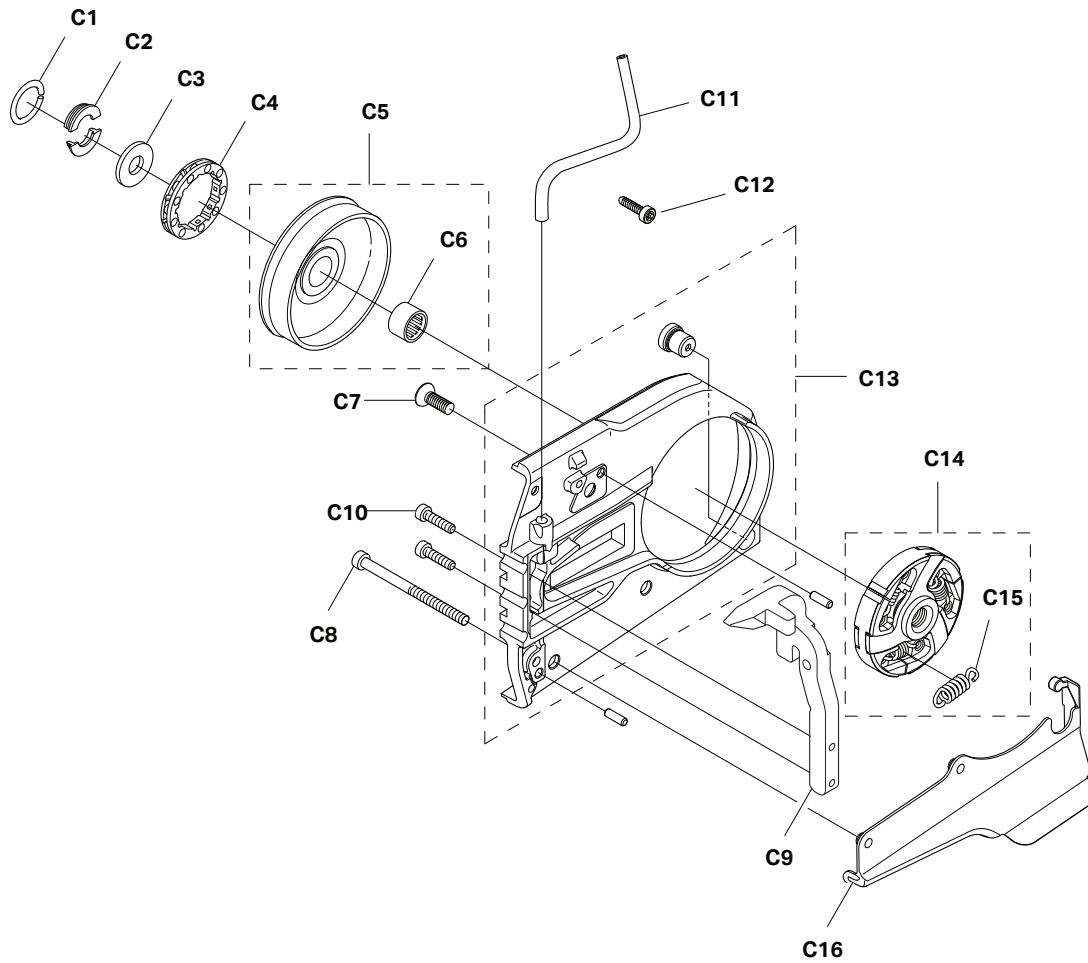
| Key #     | Part No. | Description                                      |
|-----------|----------|--|
| 1         | 71541    | Pressure Gauge Bulb                              |
| 2         | 71543    | Cylinder Assembly Clamps & Piston Stop           |
| 3         | 71565    | Electronic Tachometer                            |
| 4         | 546191   | Workshop Key Torx T27                            |
| 5         | 546192   | Test Spark Plug                                  |
| 6         | 546193   | Air Gap Gauge                                    |
| 7         | 546194   | Flywheel Puller                                  |
| 8         | 547277   | Piston Stop                                      |
| 9         | 546196   | Wrist Pin Punch                                  |
| 10        | 546197   | Cylinder Seal, Exhaust                           |
| 11        | 546198   | Cylinder Seal, Inlet Port                        |
| 12        | 546289   | Puller, Sealing Ring                             |
| 13        | 546292   | Universal Puller                                 |
| 14        | 546293   | Grip Plate                                       |
| 15        | 546294   | Bearing Puller                                   |
| 16        | 546295   | Bearing Press                                    |
| 17        | 546307   | Screwdriver, Idle                                |
| not shown | 546659   | Clutch Tool                                      |
| not shown | 544120   | Flat Blade Srench                                |
| not shown | 544119   | Torque Srench                                    |
| not shown | 550321   | Tuning screwdriver                               |
| not shown | 70249    | 14T Bar Nose Sprocket Repair Kit (for 695GC)     |
| not shown | 530046   | FORCE4™ Bar Nose Sprocket Repair Kit (for 695F4) |
| not shown | 571229   | OIL, 2-STROKE 100ML (6-PACK)                     |
| not shown | 571230   | OIL, 2-STROKE 100ML (24-PACK)                    |



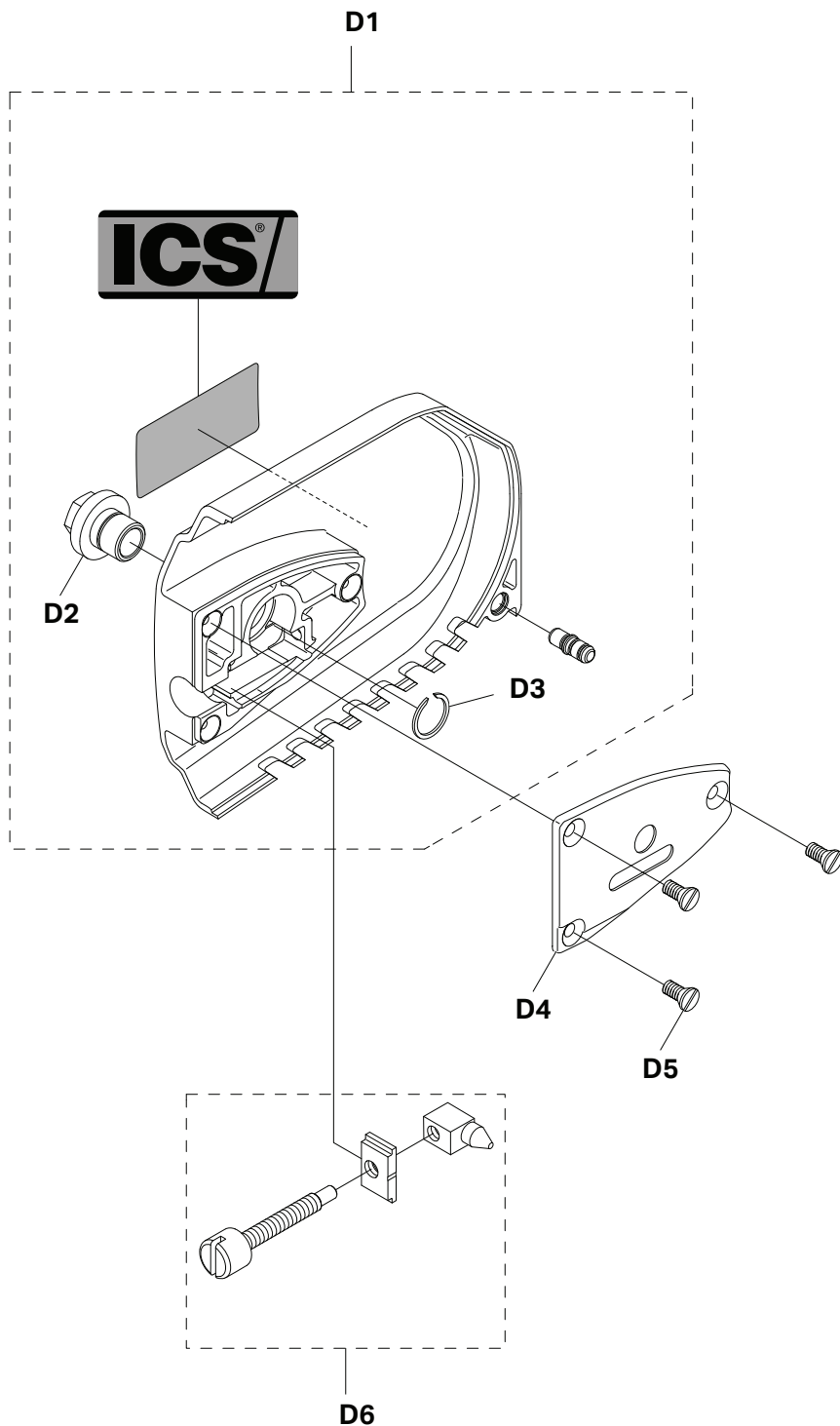
| Key # | Part No. | Description            |
|-------|----------|------------------------|
| A01   | 544013   | STARTER COVER ASSEMBLY |
| A02   | 544127   | STARTER PULLEY KIT     |
| A03   | 543974   | SCREW                  |
| A04   | 544021   | RECOIL SPRING          |
| A05   | 544023   | STARTER CORD           |
| A06   | 544024   | STARTER HANDLE         |
| A07   | 544012   | SCREW                  |
| A08   | 544026   | STARTER COVER SHIELD   |



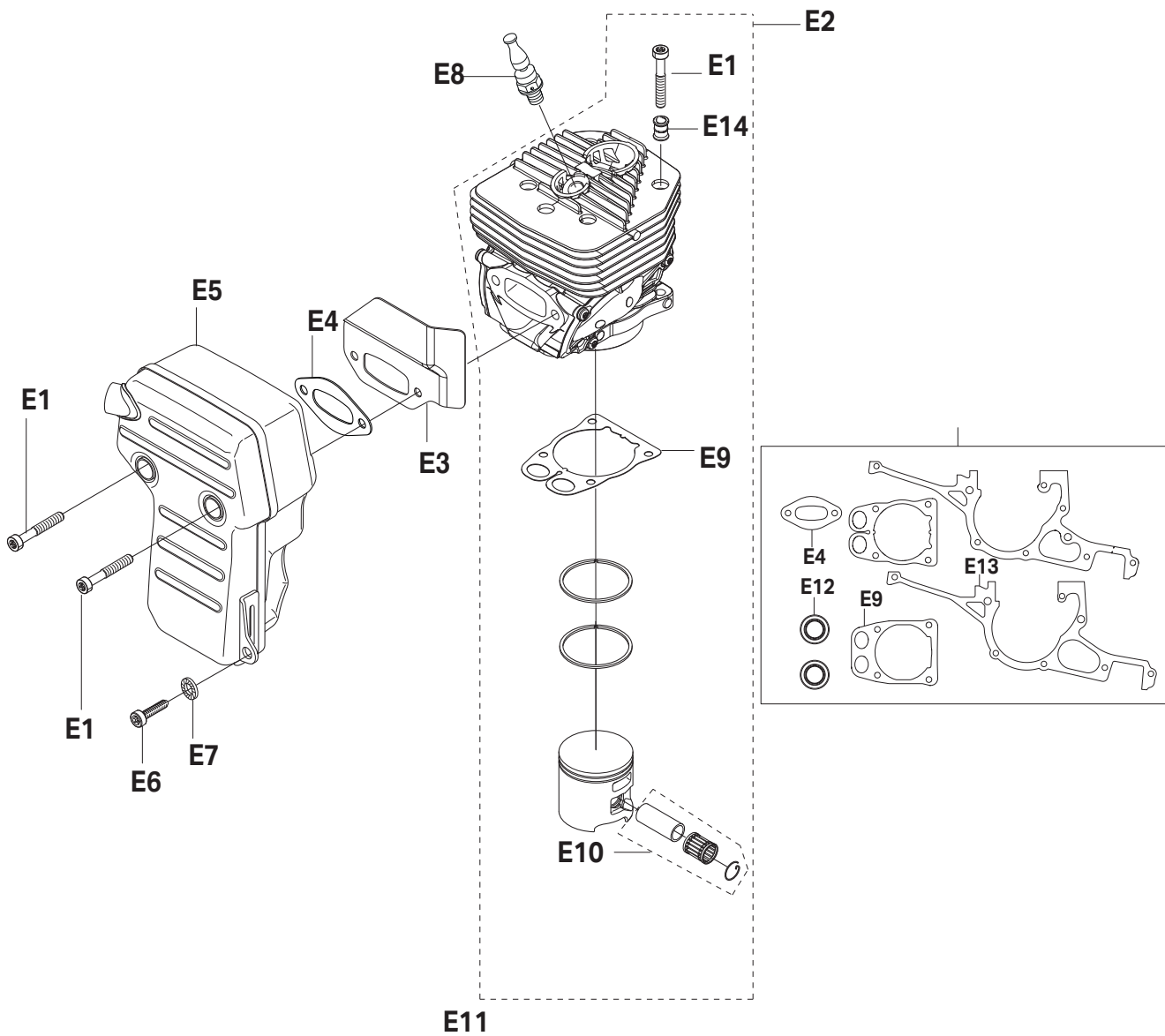
| Key # | Part No. | Description                               |
|-------|----------|---|
| B01   | 544030   | STOP SWITCH SCREW                         |
| B02   | 544031   | STOP SWITCH                               |
| B03   | 544032   | STOP SWITCH CABLE                         |
| B04   | 544033   | SPARK PLUG CAP                            |
| B05   | 544034   | SPARK PLUG                                |
| B06   | 544035   | PROTECTIVE SLEEVE                         |
| B07   | 544036   | IGNITION MODULE                           |
| B08   | 544038   | IGNITION MODULE SCREW                     |
| B09   | 544053   | FLYWHEEL                                  |
| B10   | 544125   | STARTER PAWL KIT (INCL. TWO OF EACH ITEM) |
| B11   | 544058   | STARTER WASHER                            |
| B12   | 544059   | STARTER NUT                               |



| Key # | Part No. | Description                |
|-------|----------|----------------------------|
| C01   | 543905   | RETAINING RING             |
| C02   | 551384   | SPLIT RETAINER, 695 (PAIR) |
| C03   | 543907   | SPACER                     |
| C04   | 525496   | 695F4 FORCE4™ SPROCKET     |
| C04   | 70949    | 695GC RIM SPROCKET         |
| C05   | 543909   | CLUTCH CUP                 |
| C06   | 543910   | NEEDLE BEARING             |
| C07   | 543911   | BAR BRACKET SCREW          |
| C08   | 543912   | CRANK CASE BOLT            |
| C09   | 544130   | WALLWALKER®                |
| C10   | 543920   | WALLWALKER® SCREW          |
| C11   | 543915   | WATER PIPE                 |
| C12   | 546548   | WATER PIPE SCREW           |
| C13   | 543916   | BAR BRACKET                |
| C14   | 547856   | CLUTCH KIT                 |
| C15   | 543928   | CLUTCH SPRING              |
| C16   | 544137   | SHIELD                     |

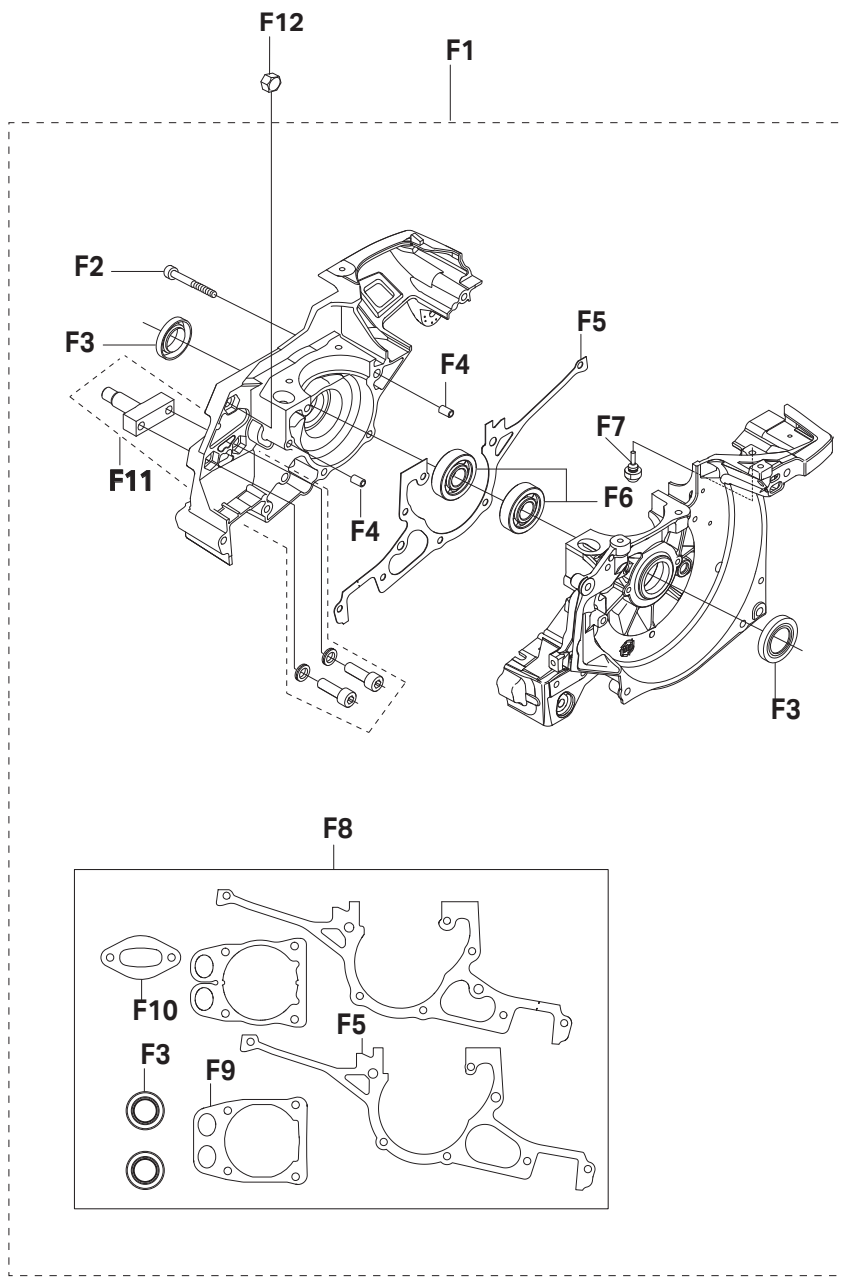


| Key # | Part No. | Description            |
|-------|----------|------------------------|
| D01   | 543899   | SIDE COVER ASSEMBLY    |
| D02   | 543900   | SIDE COVER NUT         |
| D03   | 543901   | SIDE COVER NUT CIRCLIP |
| D04   | 543902   | TENSIONER COVER PLATE  |
| D05   | 543903   | SCREW, SIDE COVER CAP  |
| D06   | 543904   | TENSIONER              |

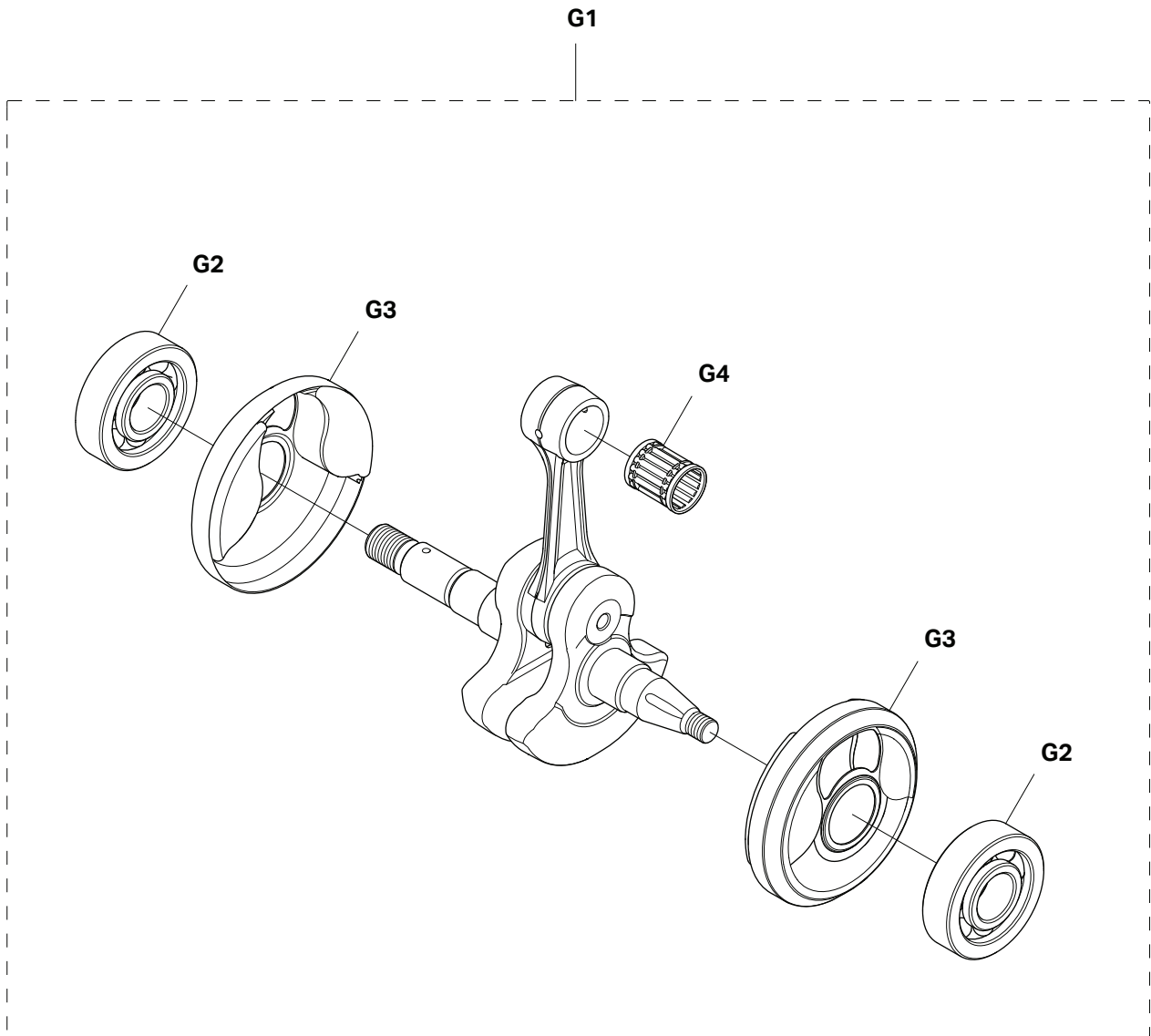


| Key # | Part No. | Description                  |
|-------|----------|------------------------------|
| E01   | 543942   | CYLINDER/MUFFLER SCREW       |
| E02   | 576169   | PISTON/CYLINDER KIT          |
| E03   | 543844   | HEAT DEFLECTOR               |
| E04   | 543938   | MUFFLER GASKET               |
| E05   | 543845   | MUFFLER                      |
| E06   | 543846   | LOWER MUFFLER MOUNTING SCREW |
| E07   | 543847   | MUFFLER MOUNTING WASHER      |
| E08   | 576166   | DECOMPRESSION VALVE          |
| E09   | 576165   | CYLINDER BASE GASKET         |
| E10   | 543949   | NEEDLE BEARING               |
| E11   | 543936   | GASKET KIT                   |
| E12   | 543931   | SEALING RING                 |
| E13   | 543933   | CRANKCASE GASKET             |



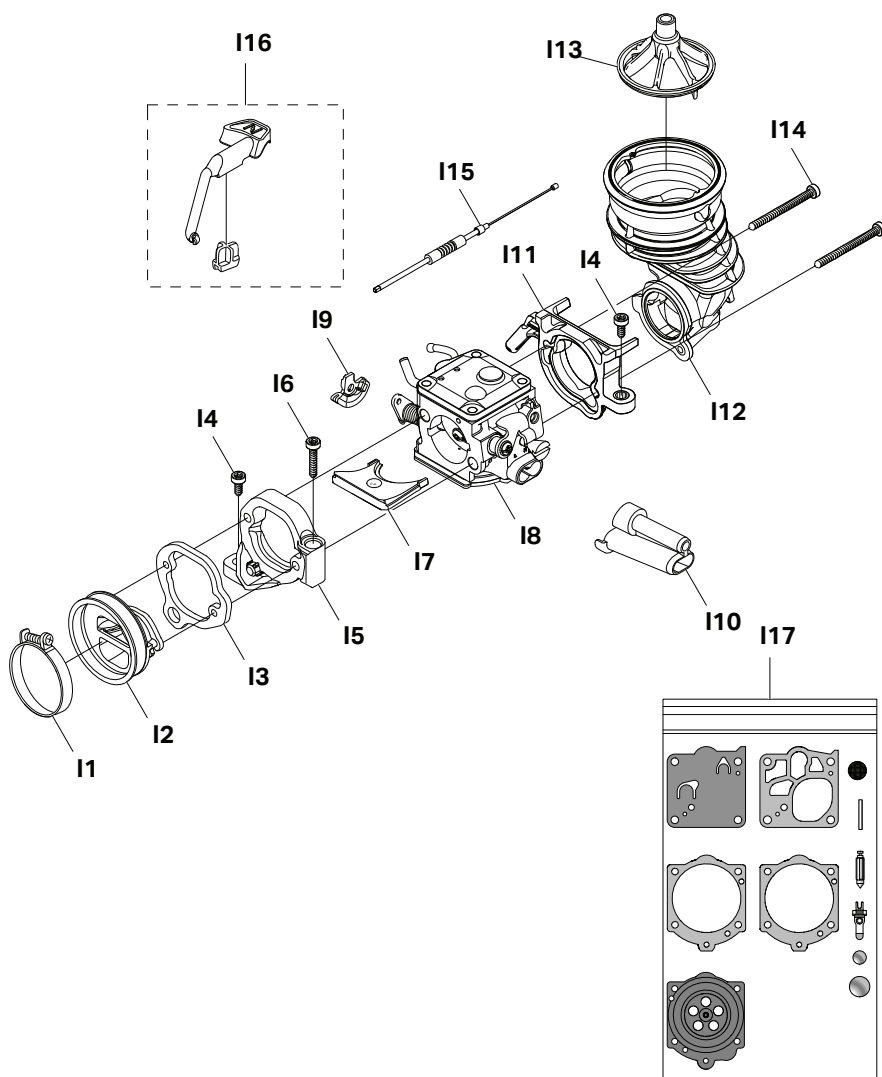


| Key # | Part No. | Description          |
|-------|----------|----------------------|
| F01   | 543929   | CRANKCASE ASSEMBLY   |
| F02   | 543930   | CRANKCASE SCREW      |
| F03   | 543931   | SEALING RING         |
| F04   | 543932   | GUIDE BUSHING        |
| F05   | 543933   | CRANKCASE GASKET     |
| F06   | 543934   | MAIN BEARING         |
| F07   | 543935   | RUBBER BUSHING       |
| F08   | 543936   | GASKET KIT           |
| F09   | 543937   | CYLINDER BASE GASKET |
| F10   | 543938   | MUFFLER GASKET       |
| F11   | 544129   | BAR STUD KIT         |
| F12   | 543941   | BAR BRACKET FASTENER |

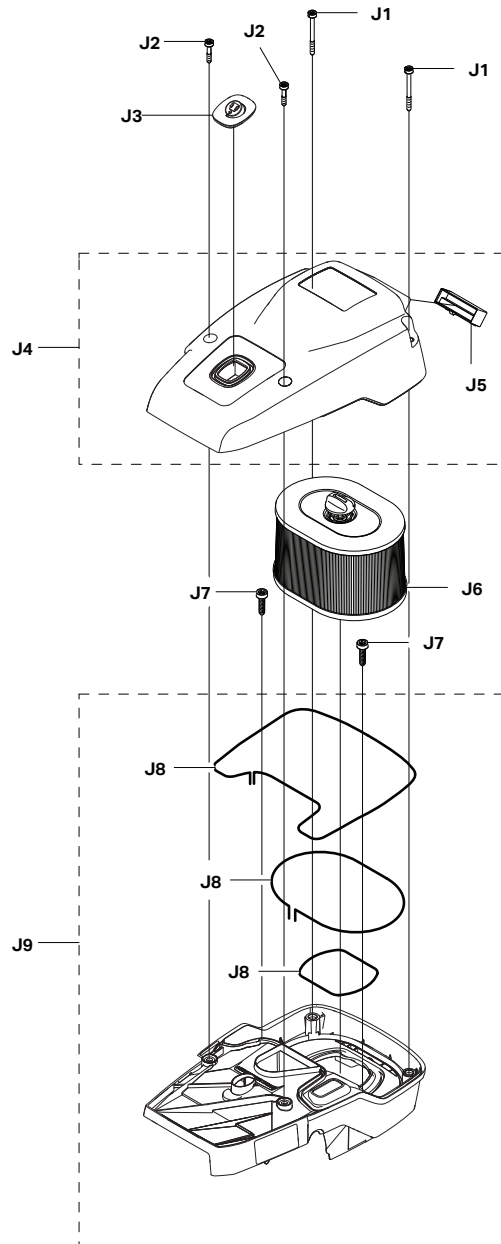


| Key # | Part No. | Description         |
|-------|----------|---------------------|
| G01   | 543952   | CRANKSHAFT ASSEMBLY |
| G02   | 543934   | MAIN BEARING        |
| G03   | 543953   | CRANKSHAFT SHIELD   |
| G04   | 543949   | NEEDLE BEARING      |

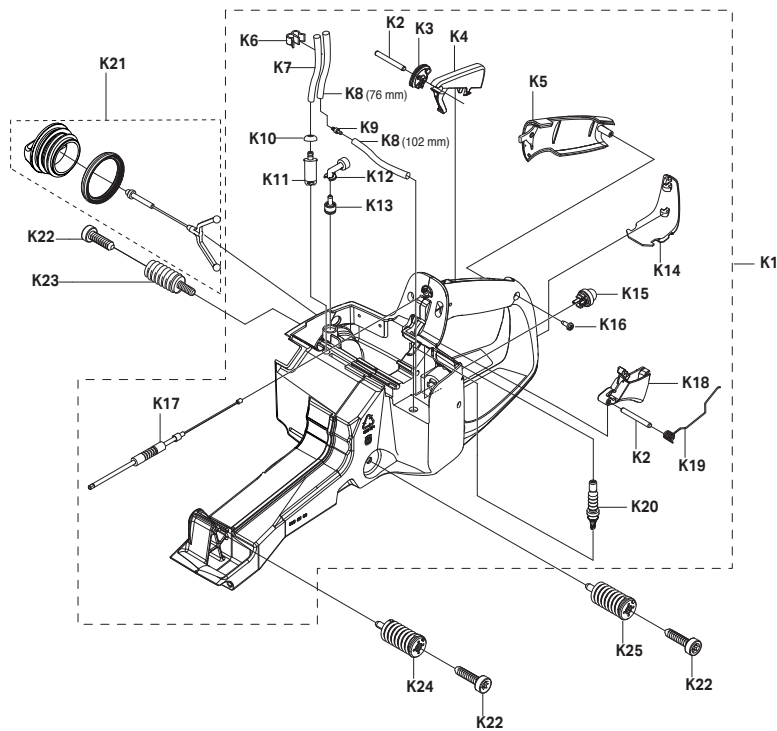
**THIS PAGE INTENTIONALLY LEFT BLANK**



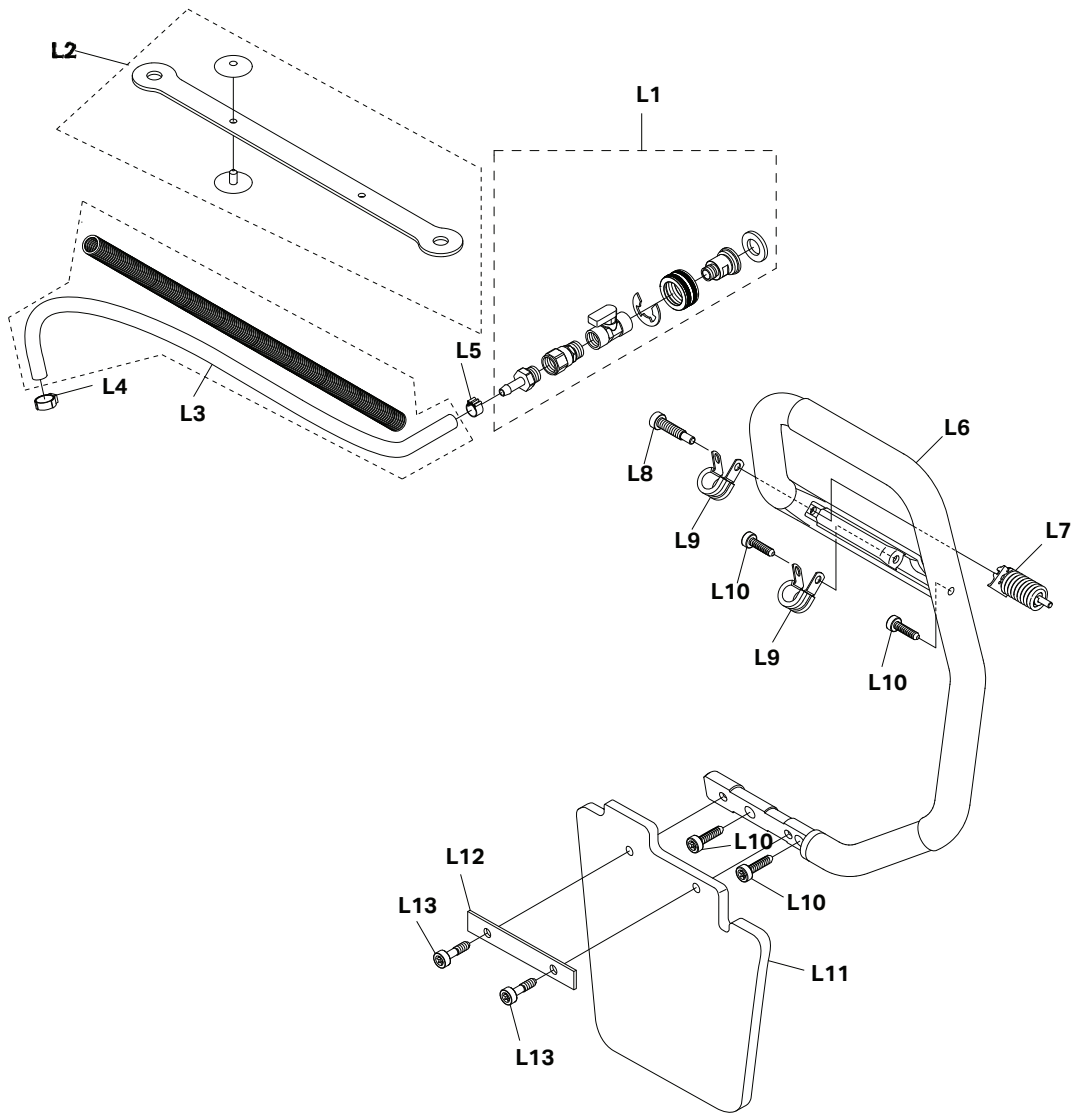
| Key # | Part No. | Description  |
|-------|----------|--|
| I01   | 544069   | INLET BOOT CLAMP   |
| I02   | 544070   | INLET BOOT   |
| I03   | 544071   | FLANGE   |
| I04   | 544072   | FLANGE CLUTCH SIDE SCREW   |
| I05   | 544073   | FLANGE BRACKET   |
| I06   | 544065   | SCREW  |
| I07   | 544074   | SEPARATOR PLATE  |
| I08   | 544075   | CARBURETOR (WALBRO RWJ-7)  |
| I09   | 544111   | THROTTLE CABLE LEVER   |
| I10   | 576178   | ADJUSTMENT GUIDE   |
| I11   | 544112   | MANIFOLD BRACKET   |
| I12   | 544113   | AIR INTAKE MANIFOLD  |
| I13   | 544114   | AIR FILTER BRACKET   |
| I14   | 544115   | CARBURETOR MOUNTING SCREW  |
| I15   | 543975   | THROTTLE CABLE ASSEMBLY  |
| I16   | 544117   | CHOKE LEVER  |
| I17   | 576161   | CARBURETOR REPAIR KIT (Only for 695XL, will not fit 695GC/F4/PG) |



| Key # | Part No. | Description              |
|-------|----------|--------------------------|
| J01   | 544060   | FILTER COVER REAR SCREW  |
| J02   | 544061   | FILTER COVER FRONT SCREW |
| J03   | 576167   | PLUG                     |
| J04   | 544062   | FILTER COVER             |
| J05   | 544063   | AIR INTAKE INSERT        |
| J06   | 544064   | AIR FILTER               |
| J07   | 544065   | CYLINDER COVER SCREW     |
| J08   | 544067   | CYLINDER COVER SEALS     |
| J09   | 544066   | CYLINDER COVER ASSEMBLY  |



| Key # | Part No. | Description                  |
|-------|----------|------------------------------|
| K01   | 543812   | FUEL TANK ASSEMBLY           |
| K02   | 543813   | PARALLEL PIN                 |
| K03   | 543814   | CABLE LEVER                  |
| K04   | 543815   | THROTTLE LOCK OUT LEVER      |
| K05   | 543816   | REAR HANDLE COVER            |
| K06   | 543818   | CLIP                         |
| K07   | 543993   | FUEL LINE                    |
| K08   | 543994   | CHECK VALVE TUBE             |
| K09   | 543969   | CHECK VALVE                  |
| K10   | 543970   | HOSE CLAMP                   |
| K11   | 543971   | FUEL FILTER                  |
| K12   | 544990   | TANK VENT ELBOW              |
| K13   | 544122   | TANK VENT                    |
| K14   | 543972   | REAR HANDLE GROUND SUPPORT   |
| K15   | 543973   | PURGE BULB                   |
| K16   | 543974   | REAR HANDLE SCREW            |
| K17   | 543975   | THROTTLE CABLE ASSEMBLY      |
| K18   | 543976   | THROTTLE TRIGGER             |
| K19   | 543977   | TRIGGER SPRING               |
| K20   | 543995   | PURGE BULB TUB               |
| K21   | 543979   | GAS TANK CAP ASSEMBLY        |
| K22   | 543981   | SHOCK ABSORBER SCREW         |
| K23   | 543982   | SHOCK ABSORBER CLUTCH SIDE   |
| K24   | 543983   | SHOCK ABSORBER FRONT         |
| K25   | 543984   | SHOCK ABSORBER FLYWHEEL SIDE |



| Key # | Part No. | Description                         |
|-------|----------|-------------------------------------|
| L01   | 543996   | WATER HOSE VALVE ASSEMBLY           |
| L02   | 547969   | HOSE HANGER                         |
| L03   | 543999   | WATER HOSE WITH PROTECTIVE COVERING |
| L04   | 544000   | CLAMP, WATER HOSE                   |
| L05   | 544001   | CLAMP, WATER HOSE VALVE SIDE        |
| L06   | 544002   | FRONT HANDLE                        |
| L07   | 544003   | SHOCK ABSORBER, FRONT HANDLE        |
| L08   | 543981   | SCREW, SHOCK ABSORBERS              |
| L09   | 544008   | CLIP, FRONT HANDLE                  |
| L10   | 544009   | SCREW, FRONT HANDLE                 |
| L11   | 576679   | MUD FLAP                            |
| L12   | 544011   | BACKING PLATE, MUD FLAP             |
| L13   | 544012   | SCREW, MUD FLAP                     |





**695XL Replacement Parts & Accessories Price List**

**ICS, Blount Europe, SA  
Rue Emile Francqui, 5  
1435 Mont-Saint-Guibert, Belgium  
Tel +32 10 301 251 Fax +32 10 301 259  
icsdiamondtools.com**