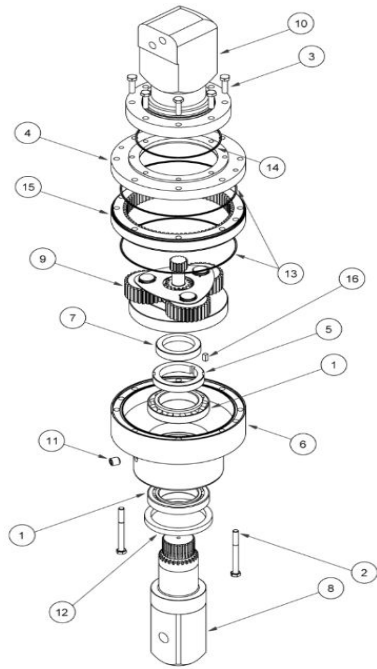


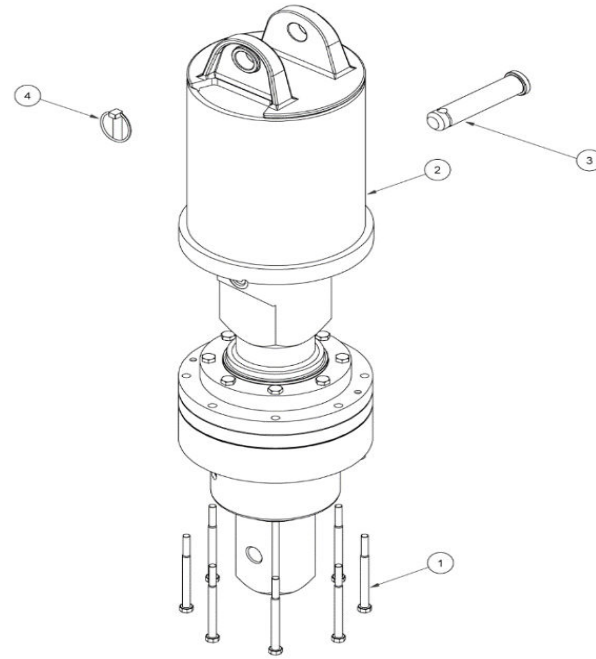
DIGGA

PD6-5

DIGGA



Part no	Description
1	BE-000024 BEARING
2	FA-000002 BOLT
3	FA-000208 BOLT
4	GB-001305 INPUT HOUSING
5	GB-000004 LOCK NUT
6	GB-000517 OUTPUT HOUSING
7	GB-000611 SPACER
8	GB-000487 75MM SQUARE SHAFT
9	GB-001331 GEARSET
10	MO-000022 HYDRAULIC MOTOR
11	PP-000001 PRESSURE PLUG
12	SE-000006 SEAL
13	SE-000013 O-RING
14	SE-000012 O-RING
15	GB-000008 RING GEAR
16	GB-000005 STEEL KEY



Part no	Description
1	FA-000004 BOLT
2	HO-000773 DRIVE UNIT HOOD
3	PI-000014 PIN
4	PI-000032 LYNCH PIN