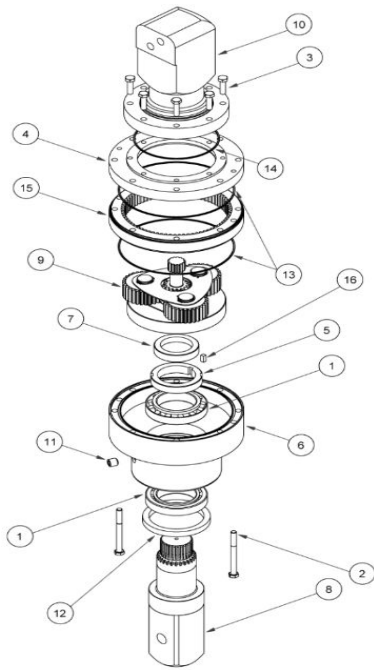


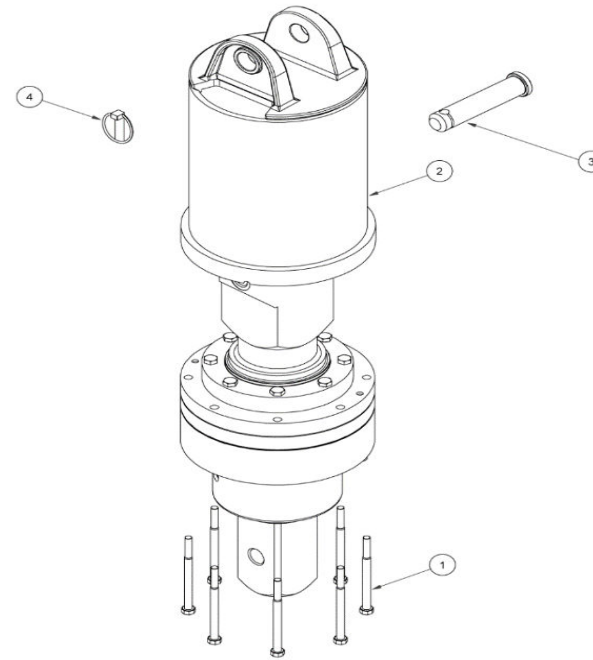
DIGGA

PD7-5

DIGGA



| Part no | Description                 |
|---------|-----------------------------|
| 1       | BE-000024 BEARING           |
| 2       | FA-000002 BOLT              |
| 3       | FA-000208 BOLT              |
| 4       | GB-001305 INPUT HOUSING     |
| 5       | GB-000004 LOCK NUT          |
| 6       | GB-000517 OUTPUT HOUSING    |
| 7       | GB-000611 SPACER            |
| 8       | GB-000487 75MM SQUARE SHAFT |
| 9       | GB-001494 GEARSET           |
| 10      | MO-000029 HYDRAULIC MOTOR   |
| 11      | PP-000001 PRESSURE PLUG     |
| 12      | SE-000006 SEAL              |
| 13      | SE-000013 O-RING            |
| 14      | SE-000012 O-RING            |
| 15      | GB-000008 RING GEAR         |
| 16      | GB-000005 STEEL KEY         |



| Part no | Description               |
|---------|---------------------------|
| 1       | FA-000004 BOLT            |
| 2       | HO-000773 DRIVE UNIT HOOD |
| 3       | PI-000014 PIN             |
| 4       | PI-000032 LYNCH PIN       |