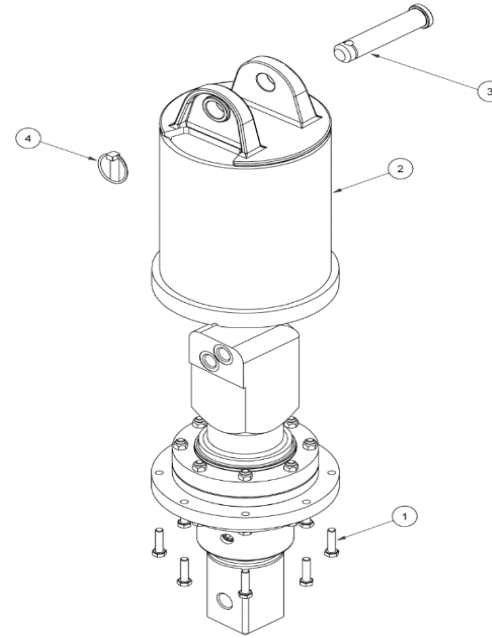
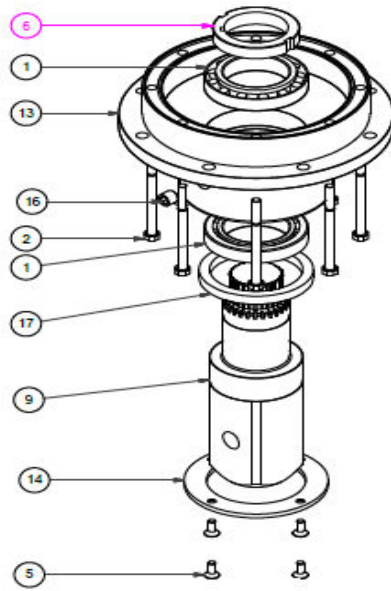
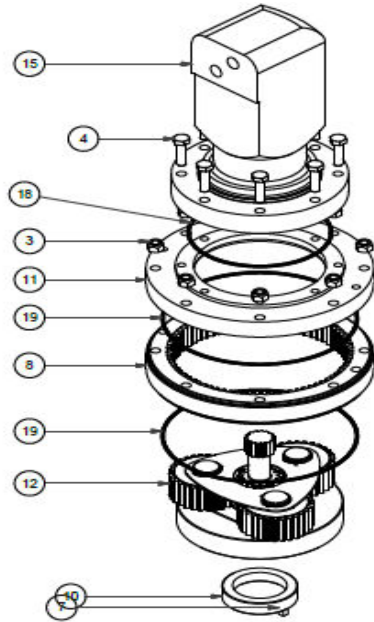


PD8-5

DIGGA



Part no	Description
1	BE-000024 BEARING
2	FA-000004 BOLT
3	FA-000097 NYLOC NUT
4	FA-000208 BOLT
5	FA-000236 SCREW FLAT HEAD SOCKET M8 X 20
6	GB-000004 LOCK NUT
7	GB-000005 STEEL KEY
8	GB-000008 RING GEAR
9	GB-000487 75MM SQUARE SHAFT
10	GB-000611 SPACER
11	GB-001305 INPUT HOUSING
12	GB-001331 GEARSET
13	GB-001754 OUTPUT HOUSING
14	GB-001776 SEAL PROTECTOR
15	MO-000029 HYDRAULIC MOTOR
16	PP-000001 PRESSURE PLUG
17	SE-000006 SEAL
18	SE-000012 O-RING
19	SE-000013 O-RING

Part no	Description
1	FA-000014 BOLT
2	HO-001128 DRIVE UNIT HOOD
3	PI-000028 PIN
4	PI-000032 LYNCH PIN