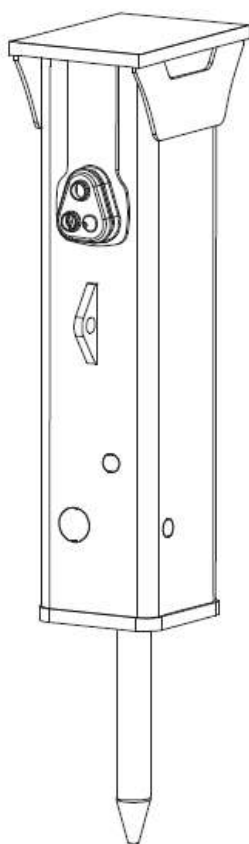


EC 50T

Spare parts list Hydraulic breakers

EC 50T s/n BES095542-



General information

This spare parts list applies to the following:

Part number	Description
8460050097	EC 50T
8460050098	EC 50T No sticker

Use only authorized parts. Any damage or malfunction caused by the use of unauthorized parts is not covered by Warranty or Product Liability. Any unauthorized use or copying of the contents or any part thereof is prohibited. This applies in particular to trademarks, model denominations, part numbers, and drawings.

Instructions for use

This spare parts list contains no safety regulations and is merely intended to assist in the ordering of spare parts.

For information about operating, servicing, or repairing, the relevant Safety and operating instructions must be consulted at all costs.

Please observe the safety instructions listed in the relevant Safety and operating instructions!

Service, repair and wear part kits

Label kit 1
Seal kit 3

Mechanical

Hydraulic breaker (Penta box valid to BES097278) 5
Hydraulic breaker (Square box valid from BES097279) 7
Percussion unit (Generation 2, valid from BES094536)9
Tightening torque 11
Dimensions 13
Assembly instruction 14

Options/accessories

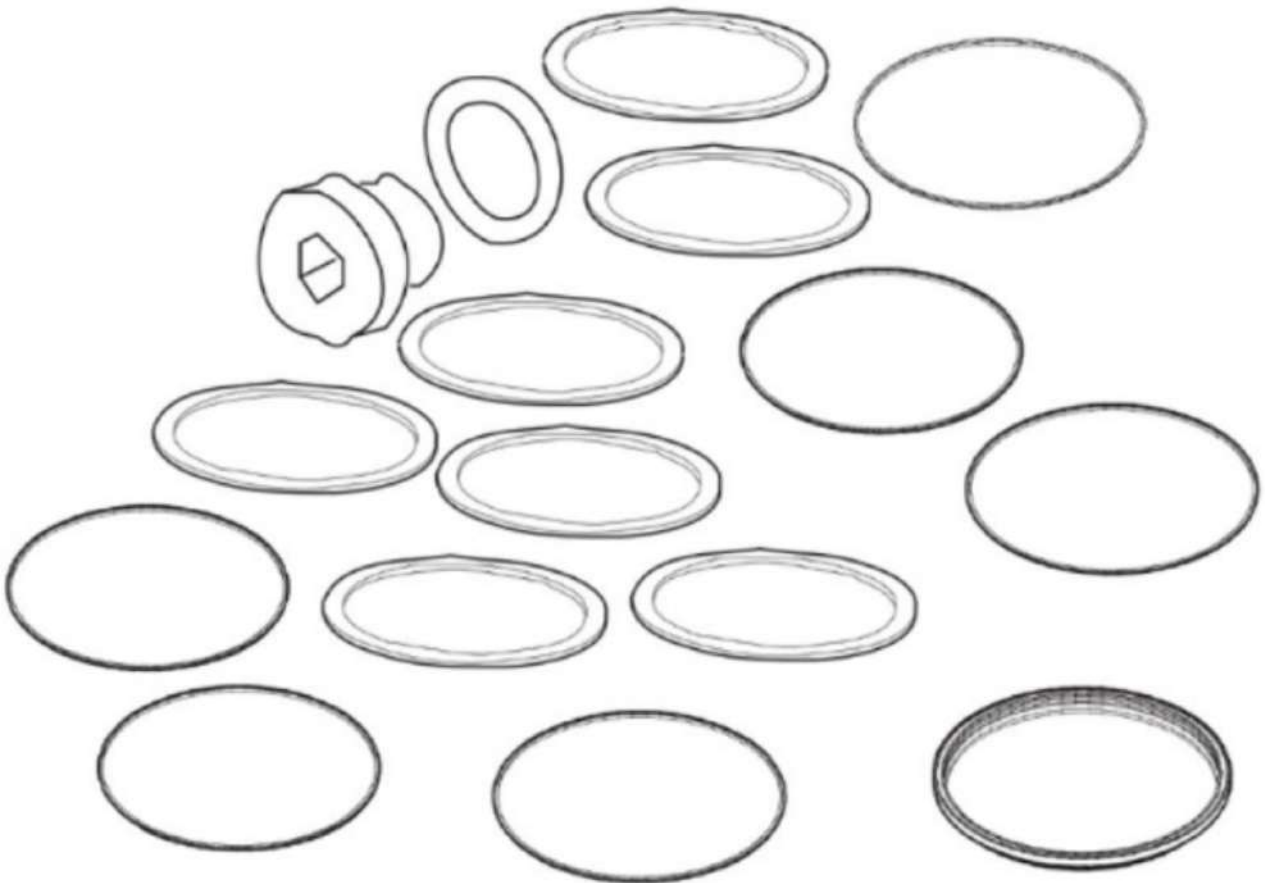
Optional equipment 16
Working tools 19
Hydraulic hose 21

Service, repair and wear part kits Label kit

NO EXPLODED VIEW
AVAILABLE
FOR THIS BOM

Item	Part No.	Name	Qty	L
1	3315387100	Label kit	1	
-	--	Safety label	1	
-	--	Safety label	1	
-	--	Grease label	1	

Service, repair and wear part kits Seal kit

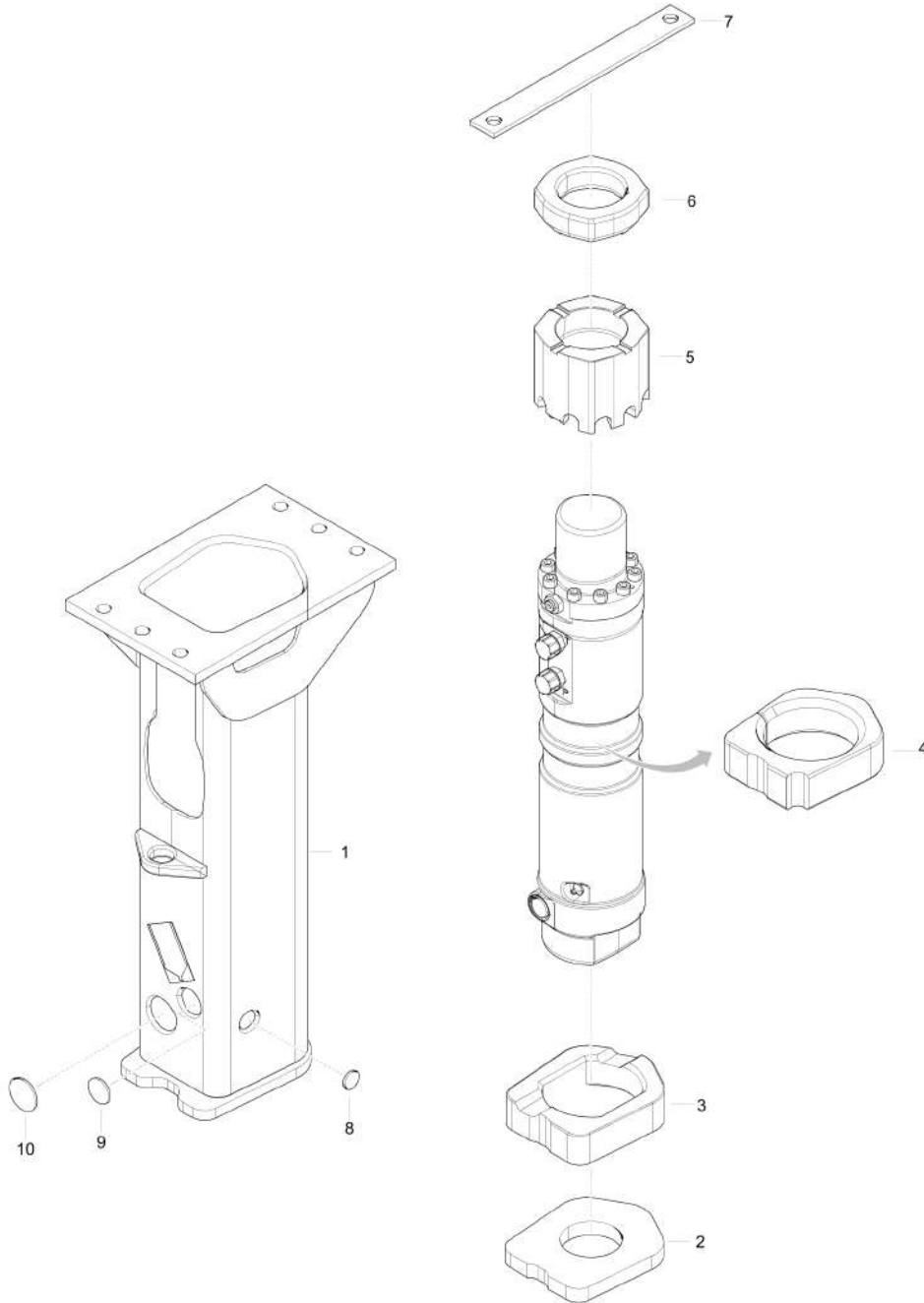


Item	Part No.	Name	Qty	L
1	3361120011	Seal kit	1	
-	--	O-ring	1	
-	--	Threaded plug	1	
-	--	Seal, 47 x 5.33 mm, 1.85 x 0.21 in.	1	
-	--	Seal	2	
-	--	O-ring, 56.52 x 5.33 mm, 2.23 x 0.21 in. (70 shore)	3	
-	--	O-ring, 69.22 x 5.33 mm , 2.73 x 0.21 in. (90 shore)	1	
-	--	Back-up ring, 70.31 x 4.65 mm , 2.77 x 0.18 in. (90 shore)	1	
-	--	O-ring, 94.62 x 5.33 mm , 3.72 x 0.21 in. (90 shore)	1	
-	--	Back-up ring, 94.83 x 4.65 mm , 3.73 x 0.18 in. (90 shore)	1	
-	--	Seal, Ø 104 mm, Ø 4.09 in	1	
-	--	O-ring, 88.25 x 5.33 mm , 3.47 x 0.21 in. (90 shore)	1	
-	--	Seal, 50 x 65.5 x 6 mm, 1.97 x 2.58 x 0.24 in.	1	
-	--	Seal	1	
-	--	Retainer	1	
-	--	O-ring, 19.18 x 2.46 mm , 0.76 x 0.10 in. (70 shore)	2	

Refer to the DocMine web page for most up-to-date information. The printed information might be outdated.

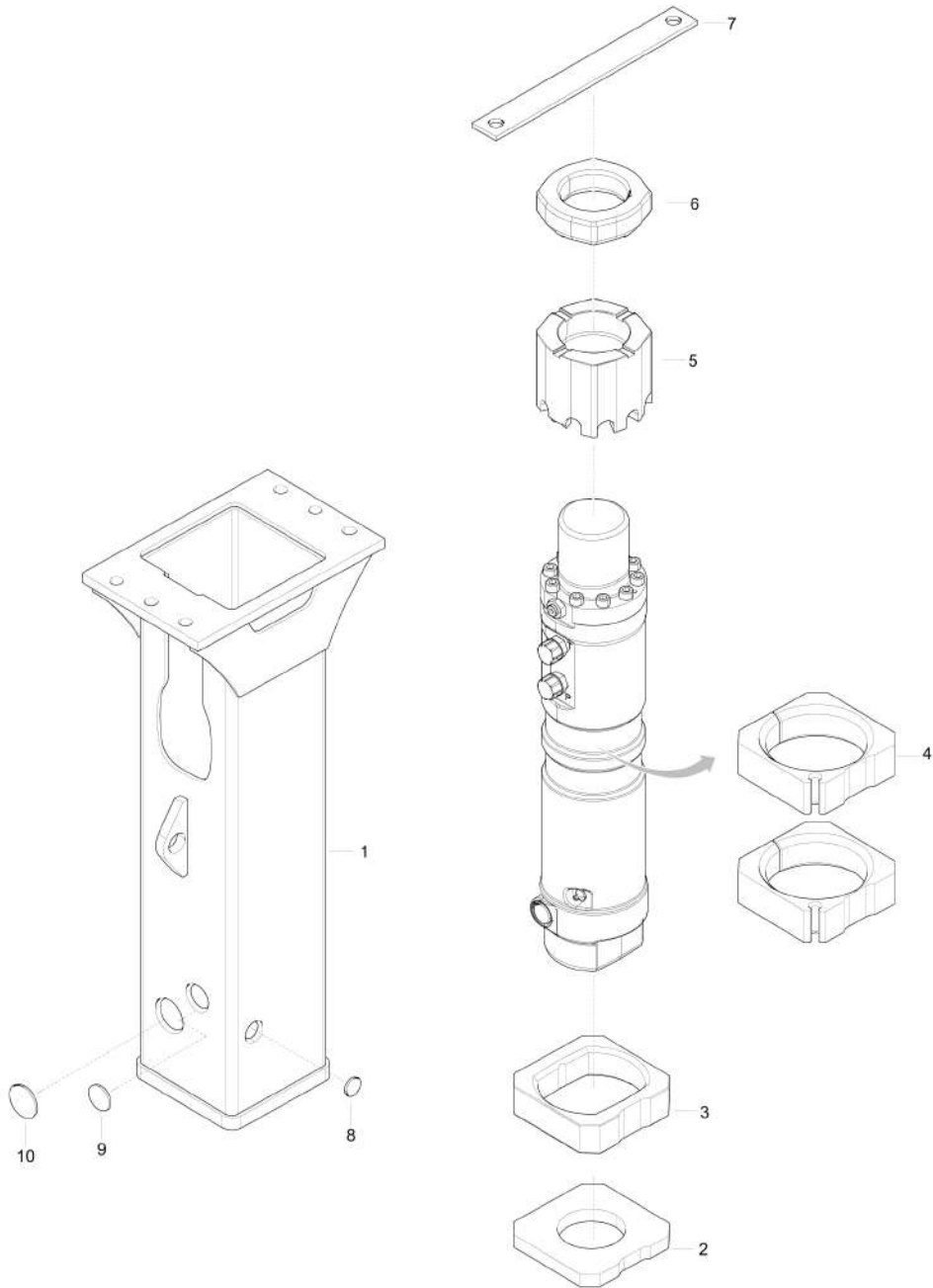
Thu Nov 15 14:29:09 UTC 2018

Mechanical Hydraulic breaker (Penta box valid to BES097278)



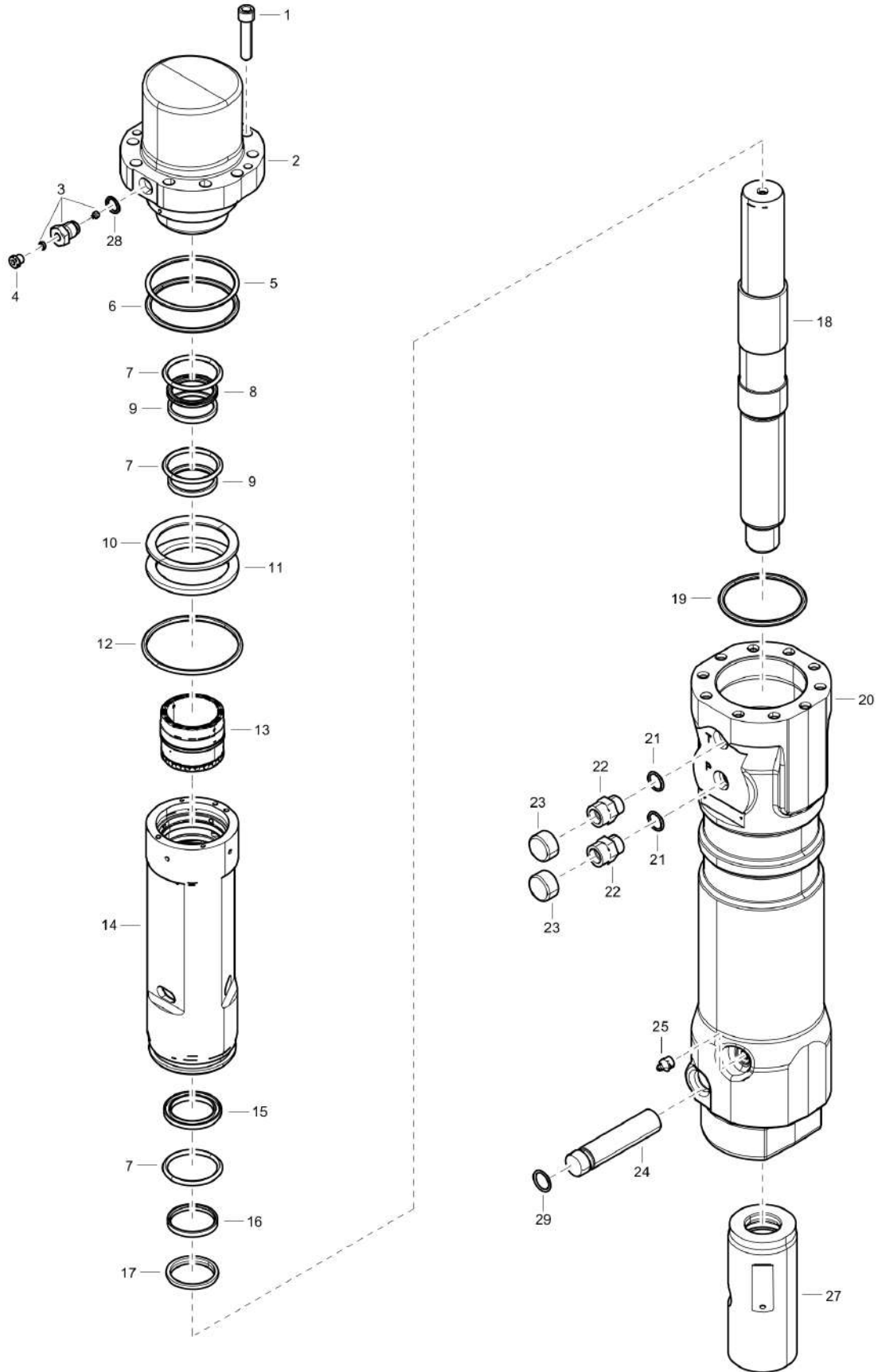
Item	Part No.	Name	Qty	L
1	3315286900	Hammer box	1	
2	3315288500	Shock absorber	1	
3	3315288610	Guide plate	1	
4	3315288700	Guide plate	2	
5	3315431700	Spacer	1	
6	3315431600	Shock absorber	1	
7	3362491017	Retainer	1	
8	3362491015	Plug	3	
9	3362491014	Plug	1	
10	3362491013	Plug	1	

Mechanical Hydraulic breaker (Square box valid from BES097279)



Item	Part No.	Name	Qty	L
1	3362120002	Breaker box	1	
2	3362420001	Shock absorber	1	
3	3315288620	Guide plate	1	
4	3362420003	Guide plate	2	
5	3315431700	Spacer	1	
6	3315431600	Shock absorber	1	
7	3362491017	Retainer	1	
8	3362491015	Plug	3	
9	3362491014	Plug	1	
10	3362491013	Plug	1	

Mechanical Percussion unit (Generation 2, valid from BES094536)



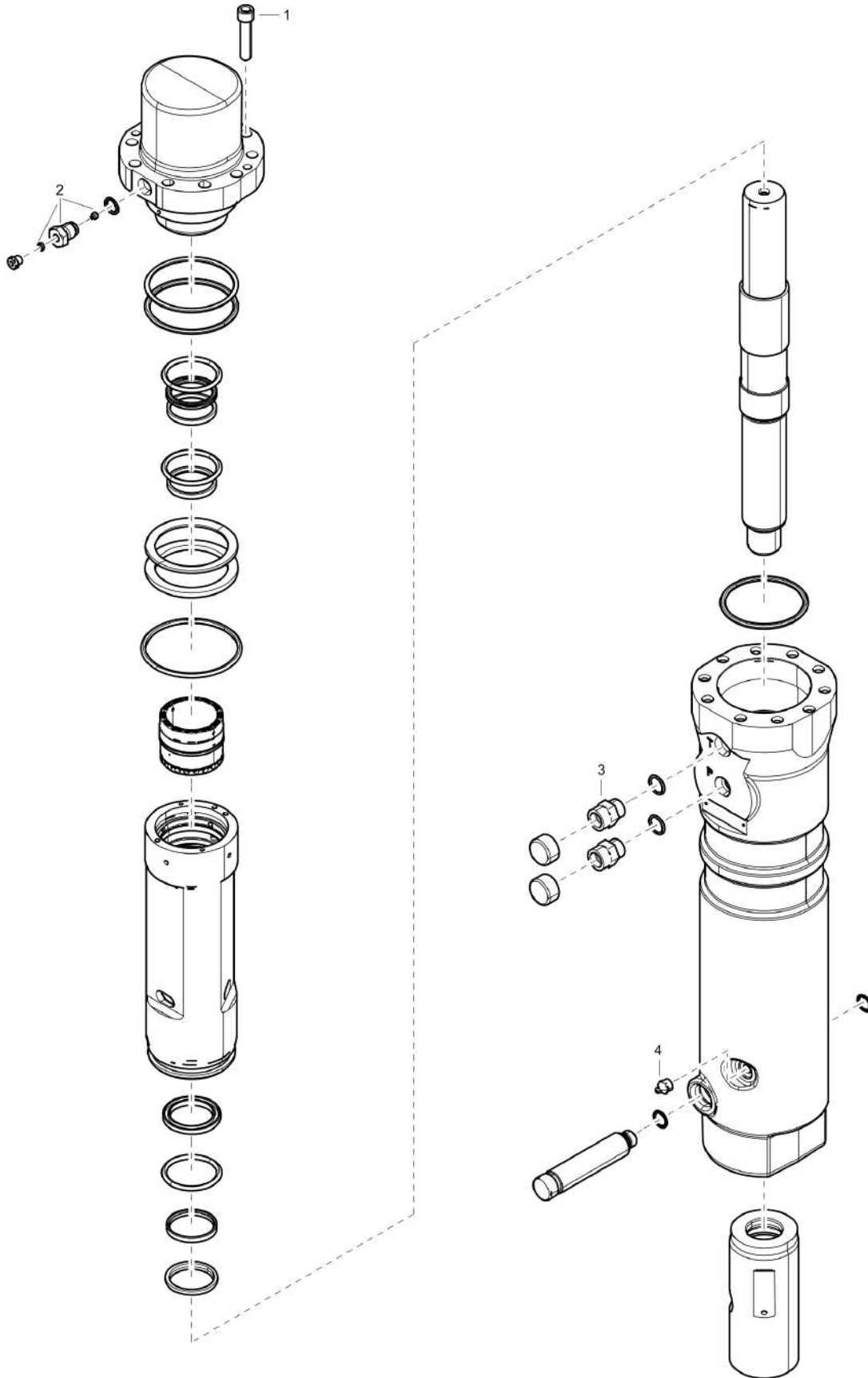
Refer to the DocMine web page for most up-to-date information. The printed information might be outdated.
Thu Nov 15 14:29:11 UTC 2018

Item	Part No.	Name	Qty	L
1	3315431100	MC6S M12x55 8.8 g627	10	
2	3315429600	Backhead	1	
3	3363087286	Filling valve complete	1	
4	3360478426	Threaded plug	1	
28	0663925100	O-ring, 15.08x2.62	1	
5	0661150126	Backup ring, ø92,66	1	A
6	3361192020	O-ring, 94.62x5.33	1	
7	3361192044	O-ring, 56.25x5.33	3	
8	3361192042	Quadring	1	
9	3361192043	Stepseal	2	
10	3361120004	Plate spring	1	
11	3361120005	Spacer	1	
12	3315296610	Sealing	1	
13	3361120106	Control valve	1	
14	3361120002	Cylinder body	1	
15	3361192049	Sealing	1	
16	3361192050	Stepseal	1	
17	3361192051	Wiper	1	
18	3315332630	Piston	1	
19	3361192047	O-ring, 88.25x5.33	1	
20	3315429705	Cylinder housing	1	
21	3361192067	O-ring	2	
22	3361031476	Nipple	2	
23	3361353486	Cap	2	
24	3315429811	Retainer	1	
25	0544215300	GREASE NIPPLE	1	
27	3361120009	Wear bushing	1	
29	0663212111	O-RING 22X3,5	1	

Comments for Page: Percussion unit (Generation 2, valid from BES094536)

A | Replaces 3361192021 , valid from BES102089

Mechanical Tightening torque



Refer to the DocMine web page for most up-to-date information. The printed information might be outdated.
Thu Nov 15 14:29:11 UTC 2018

Item	Part No.	Name	Qty	L
1	-	Bolt, in production with new - 65 Nm	-	A
1	-	Bolt, in service with molycote- 78 Nm	-	
2	-	Filling valve- 130 Nm	-	
3	-	Nipple- 90 Nm	-	
4	-	Lubrication nipple- 20 Nm	-	

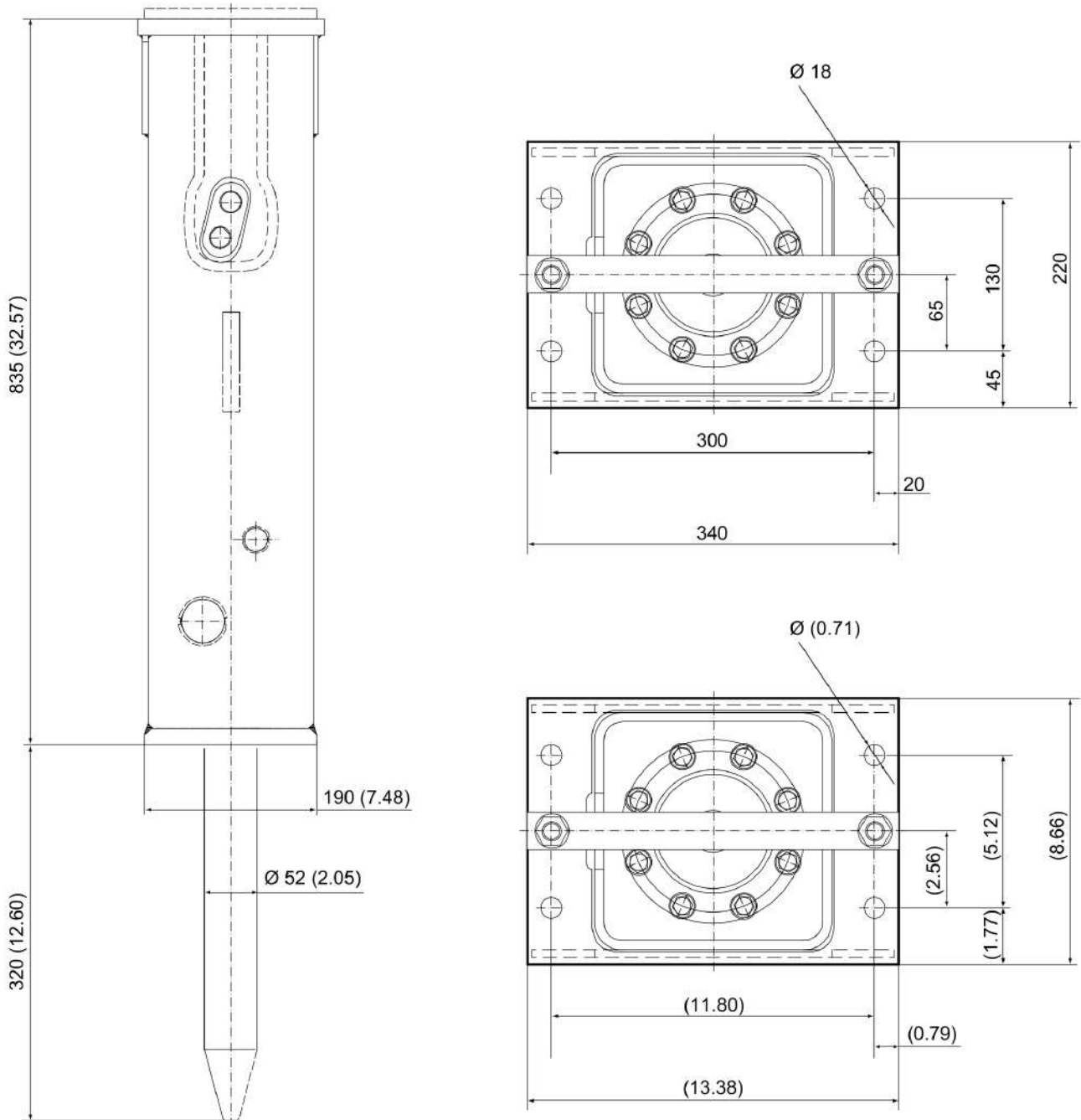
Comments for Page: Tightening torque

(L)OCAL REMARKS

A |

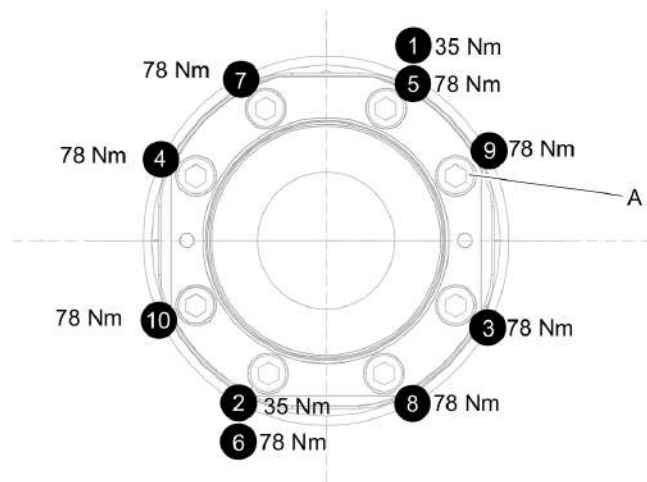
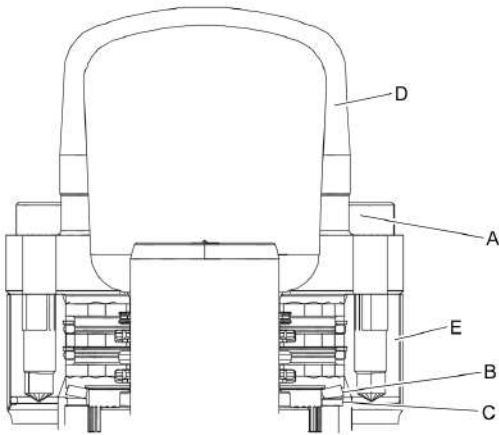
Pretighten the bolts to 25 Nm, proceeding in a crosswise fashion,
then tighten each bolt through 30° in a crosswise fashion,
finally tighten each bolt again through 30° in a crosswise fashion.

Mechanical Dimensions



This page intentionally left blank

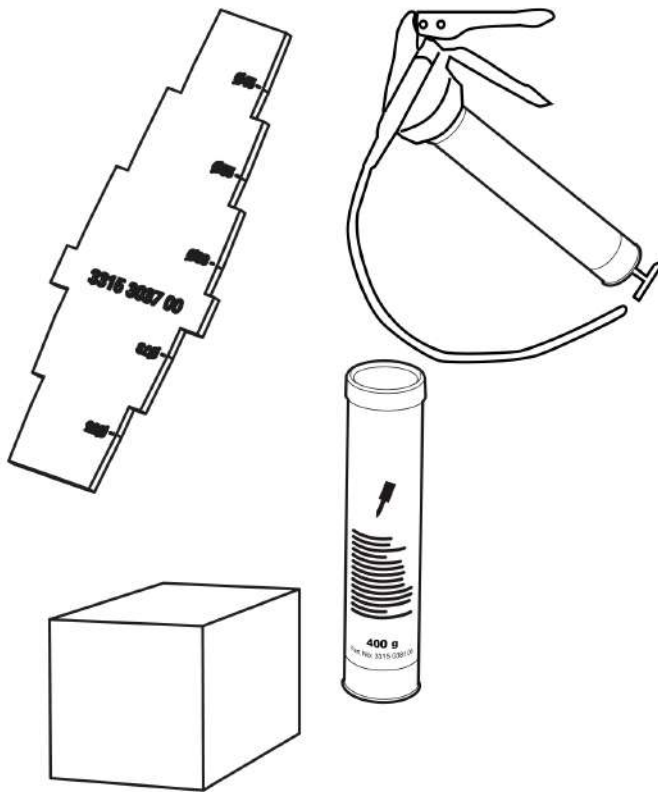
Mechanical Assembly instruction



1. Make sure the spring plate (B) and spacer (C) are centered before mounting the back head (D).
 2. Press the back head (D) down on the spring plate (B) and spacer (C).
 3. Grease the screws (A) with Molykote® 1000 (Molykote is a registered trademark of Dow Corning Corporation), and manually fit them on the back head (D)
 4. Torque the first two screws (A) in the order shown in picture above to 35 Nm. This will compress the spring plate (B), and fit the back head (D) into the cylinder housing (E). Torque the rest of screws (A) in the order shown in picture above to 78 Nm.
- NOTICE Always start by fitting screws by hands.
 NOTICE Tighten in two stages.
 Stage 1: 35 Nm
 Stage 2: 78 Nm

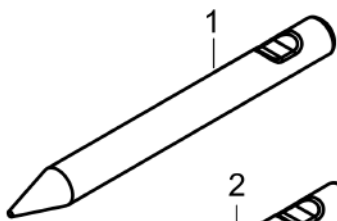
This page intentionally left blank

Options/accessories Optional equipment

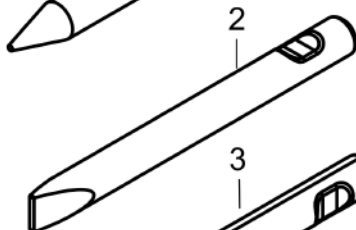


Item	Part No.	Name	Qty	L
1	3363094913	Chisel paste cartridge for grease gun, 12 x 400 g (0.88 lbs)	1	
2	0909107100	LUBRICAT.GUN	1	
3	3315303700	Test gauge wear bush	1	
4	3363089844	Maintenance and charging box with nitrogen cylinder, 2 l, 0.43 gal (0.53 US gal)	1	
5	3363094940	Maintenance and charging box without nitrogen cylinder	1	
6	3362269303	Base plate with through borings	1	
7	3363106507	Bolt kit	1	

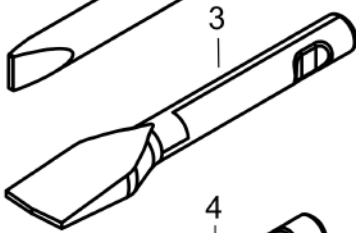
Options/accessories Working tools



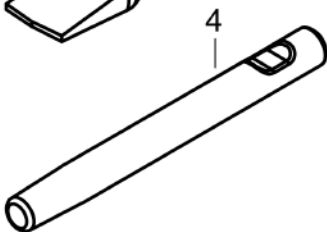
L=320 mm, Lt=530 mm, Wt=7.9 kg
 L=12.6 inch, Lt=20.87 inch, Wt=17.4 lb



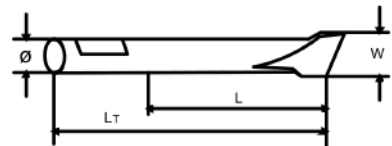
W=52 mm, L=320 mm, Lt=530 mm, Wt=8.3 kg
 W=2.05 inch, L=12.6 inch, Lt=20.87 inch, Wt=18.3 lb



W=120 mm, L=370 mm, Lt=500 mm, Wt=9.7 kg
 W=4.72 inch, L=14.57 inch, Lt=19.7 inch, Wt=21.4 lb

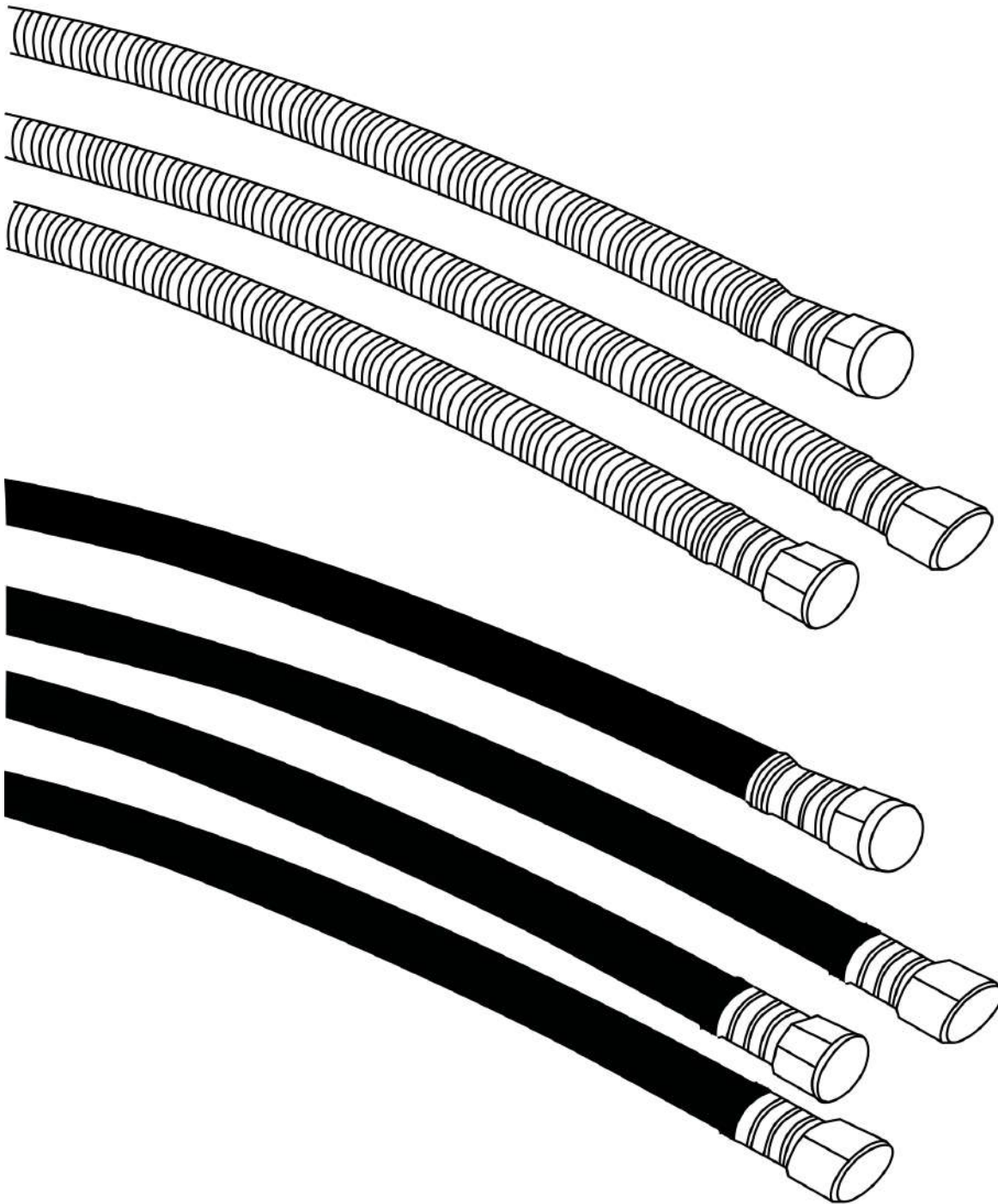


L=320 mm, Lt=530 mm, Wt=8.6 kg
 L=12.60 inch, Lt=20.87 inch, Wt=19.0 lb



Item	Part No.	Name	Qty	L
1	3363120001	Moil point		
2	3363120002	Chisel (cross)		
3	3363120005	Asphalt cutter (cross)		
4	3363120003	Blunt tool		

Options/accessories Hydraulic hose



Item	Part No.	Name	Qty	L
Not Shown	-	Standard connection hoses	1	
-	3363115423	Hose, both ends 18 L(M26x1.5) length 1750 mm	2	
-	3363491002	Hose, both ends 18 L(M26x1.5) length 1500 mm	2	
-	3363101424	Hydraulic hose, I.D. 12 (0.47"), both ends M 22 x 1.5, conical seal 24°, length 2100 mm (82.68 in.)	2	
-	3363115425	Hose, both ends 18 L(M26x1.5) length 2400 mm	2	
Not Shown	-	Heavy duty connction hoses with spring protection	1	
-	3360995717	Hose, both ends 18 L(M26 x 1.5) length 1500 mm	2	
-	3363115426	Hose, both ends 18 L(M26x1.5) length 1750 mm	2	
-	3362235159	Hose, both ends 18 L(M26 x 1.5) length 2000 mm	2	
-	3363083313	Hose, both ends 18 L(M26 x 1.5) length 2400 mm	2	

Any unauthorized use or copying of the contents or any part thereof is prohibited.
This applies in particular to trademarks, model denominations, part numbers, and drawings.