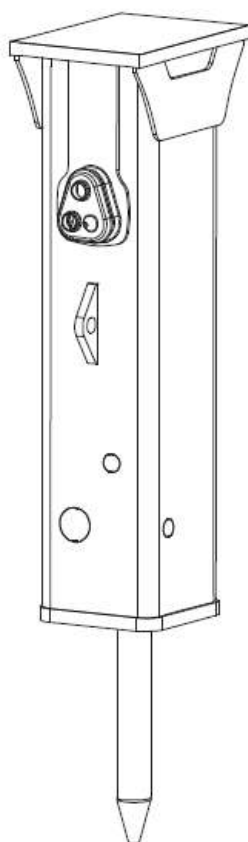


EC 40T

Spare parts list Hydraulic breakers

EC 40T s/n BES140198 –



General information

This spare parts list applies to the following:

Part number	Description
8460050102	EC 40T
8460050104	EC 40T No sticker
8460050135	EC 40T HATCON

Use only authorized parts. Any damage or malfunction caused by the use of unauthorized parts is not covered by Warranty or Product Liability. Any unauthorized use or copying of the contents or any part thereof is prohibited. This applies in particular to trademarks, model denominations, part numbers, and drawings.

Instructions for use

This spare parts list contains no safety regulations and is merely intended to assist in the ordering of spare parts.

For information about operating, servicing, or repairing, the relevant Safety and operating instructions must be consulted at all costs.

Please observe the safety instructions listed in the relevant Safety and operating instructions!

Service, repair and wear part kits

Seal kit 1
Label kit 3

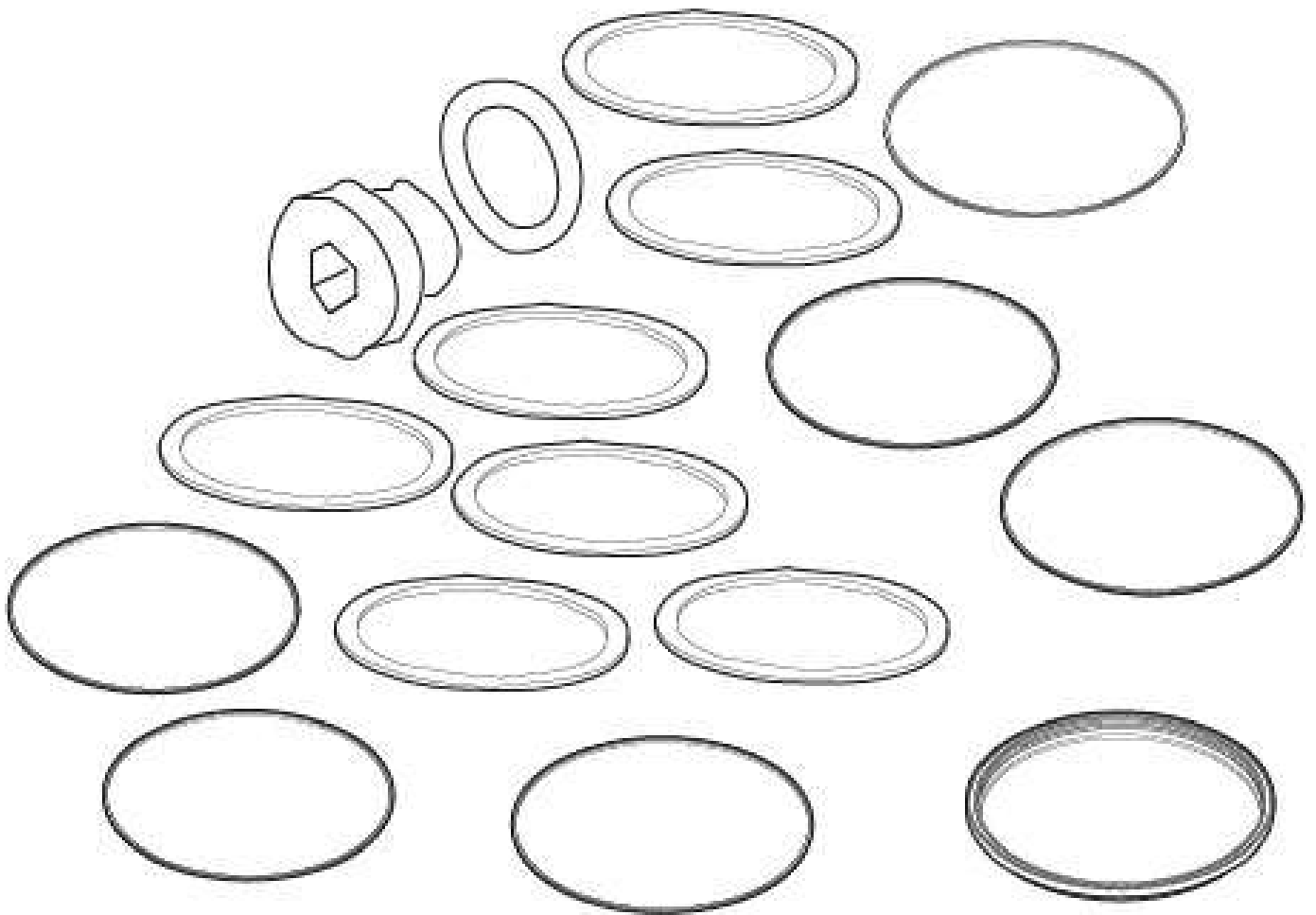
Mechanical

Hydraulic breaker (Square, valid from BES096368) 5
HATCON (Horizontal) 7
Percussion unit9
Tightening torque 11
Assembly instruction 13
Main dimensions, mm (in.) 14

Options/accessories

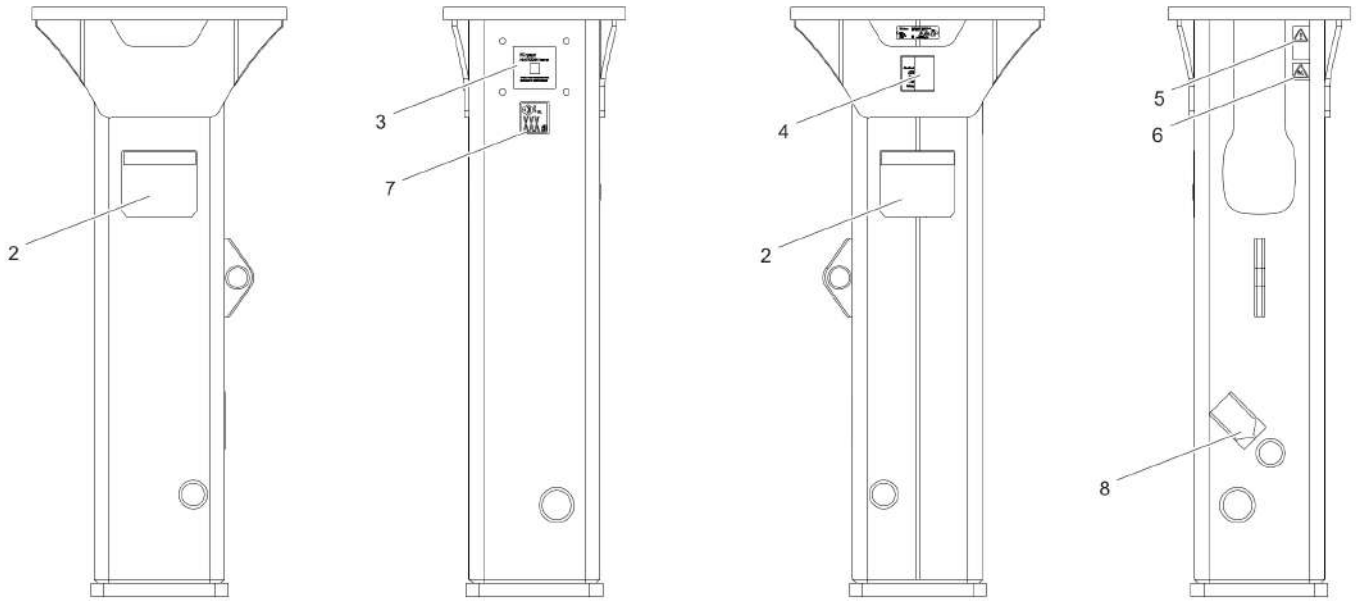
Retrofit 16
Optional equipment 19
Hydraulic hose 21
Working tools ClassicLine 23

Service, repair and wear part kits Seal kit



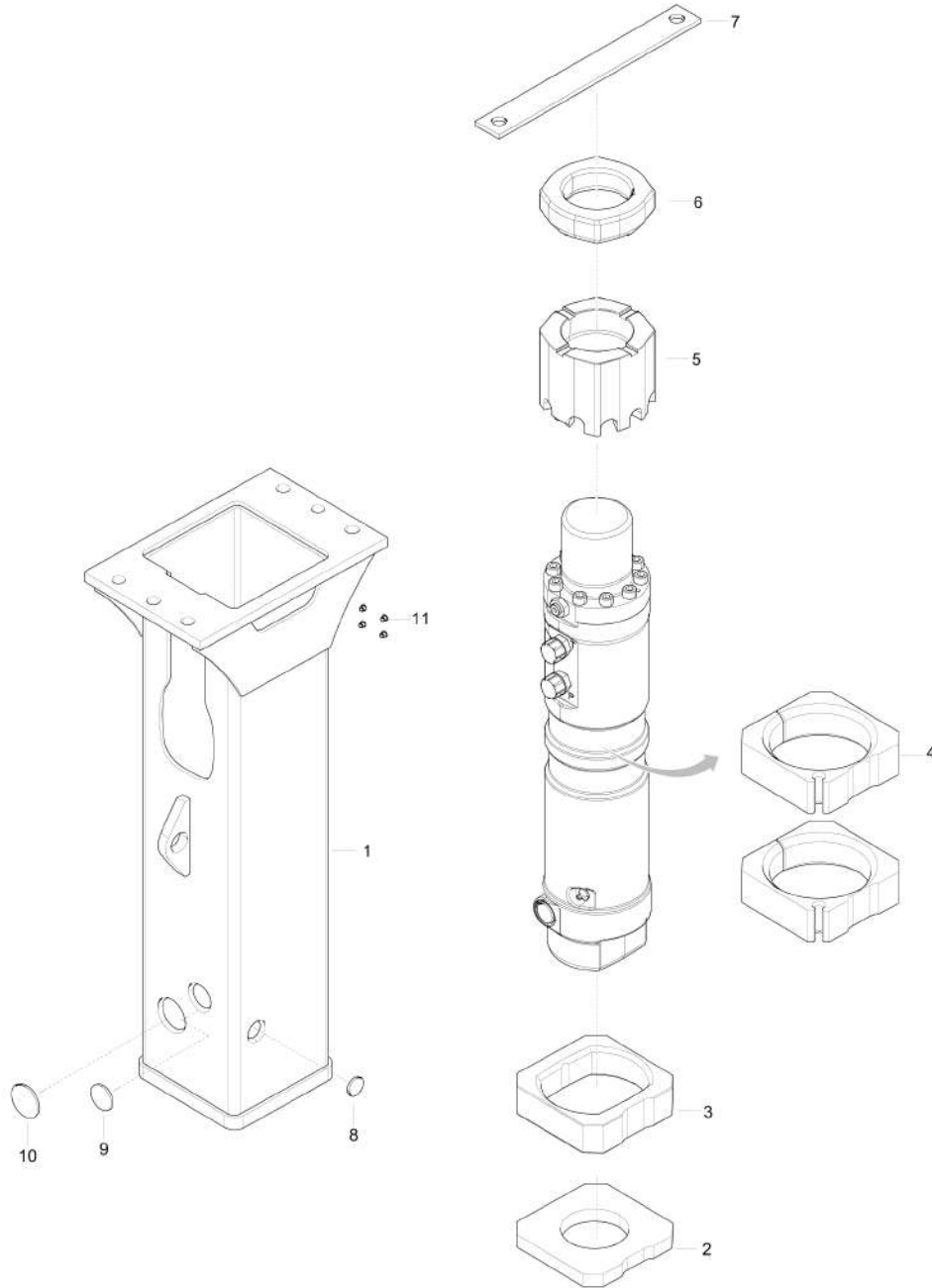
Item	Part No.	Name	Qty	L
1	3361110011	Seal kit	1	
2	0663925100	O-ring, 15.08x2.62	1	
3	3360478426	Threaded plug	1	
4	3361192052	Seal, 37.46 x 5.33 mm, (1.48 x 0.21") (70 shore)	1	
5	3361192053	stepseal	2	
6	3360314456	O-ring, 78.97 x 3.53 mm, 3.11 x 0.14 in. (90 shore)	1	
7	3360314556	O-ring, 56.74 x 3.53 mm, 2.23 x 0.14 in. (90 shore)	1	
8	3361192056	Back-up ring, 57.71 x 3 mm , 2.27 x 0.12 in. (90 shore)	1	
9	3360314661	O-ring, 72 x 3.53 mm, 2.84 x 0.14 in. (90 shore)	1	
10	3361192058	Back-up ring, 79.53 x 3 mm , (3.13 x 0.12") (90 shore)	1	
11	3360314389	O-ring	1	
12	3315296605	one piece Seal	1	
13	3361192072	O-ring, 43.82 x 5.33 mm, (1.73 x 0.21")	1	
14	3361192063	Seal, 40 x 55.6 x 6 mm, (1.58 x 2.19 x 0.24")	1	
15	3361192064	stepseal	1	
16	3361192065	Wiper, 40 x 48 x 5 mm, (1.58 x 1.89 x 0.20")	1	
17	3363070632	O-ring	1	

Service, repair and wear part kits Label kit



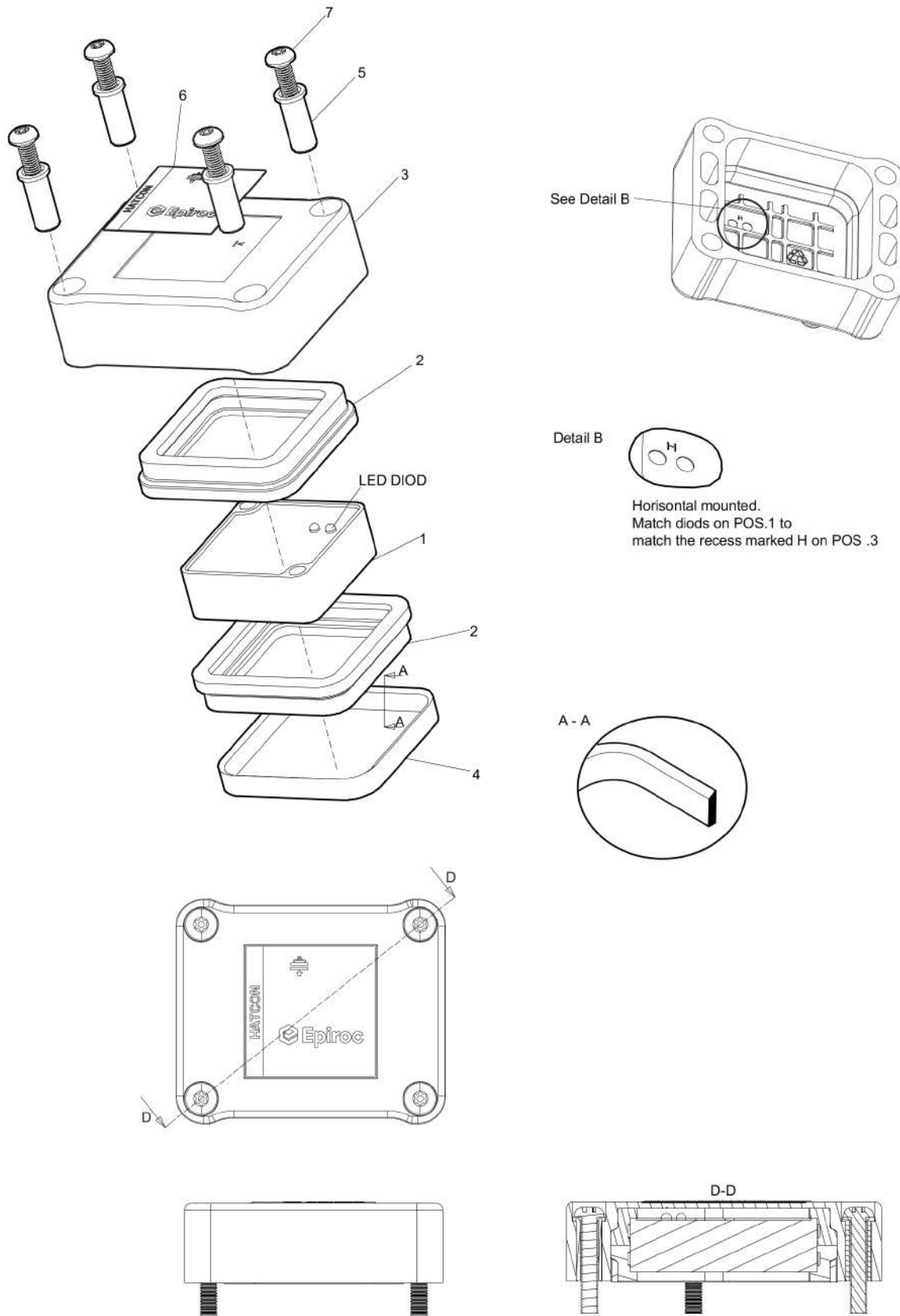
Item	Part No.	Name	Qty	L
1	3382070013	Label kit	1	
2	-	Product label	2	
3	-	Product label	2	
4	-	AEM sign	1	
5	3315262900	Safety label	1	
6	3315263000	Safety label	1	
7	-	Sound power label, 109 dB	1	
8	3360995411	Label - Lubricating symbol	1	

Mechanical Hydraulic breaker (Square, valid from BES096368)



Item	Part No.	Name	Qty	L
1	3362110010	Breaker box	1	
2	3362410001	Shock absorber	1	
3	3362410002	Guide plate	1	
4	3362410003	Guide plate	2	
5	33154321 00	Spacer	1	
6	3315432000	Shock absorber	1	
7	3362491017	Retainer	1	
8	3362491015	Plug	3	
9	3362491014	Plug	1	
10	3362491013	Plug	1	
11	3315439145	Protective plug HATCON	4	

Mechanical HATCON (Horizontal)

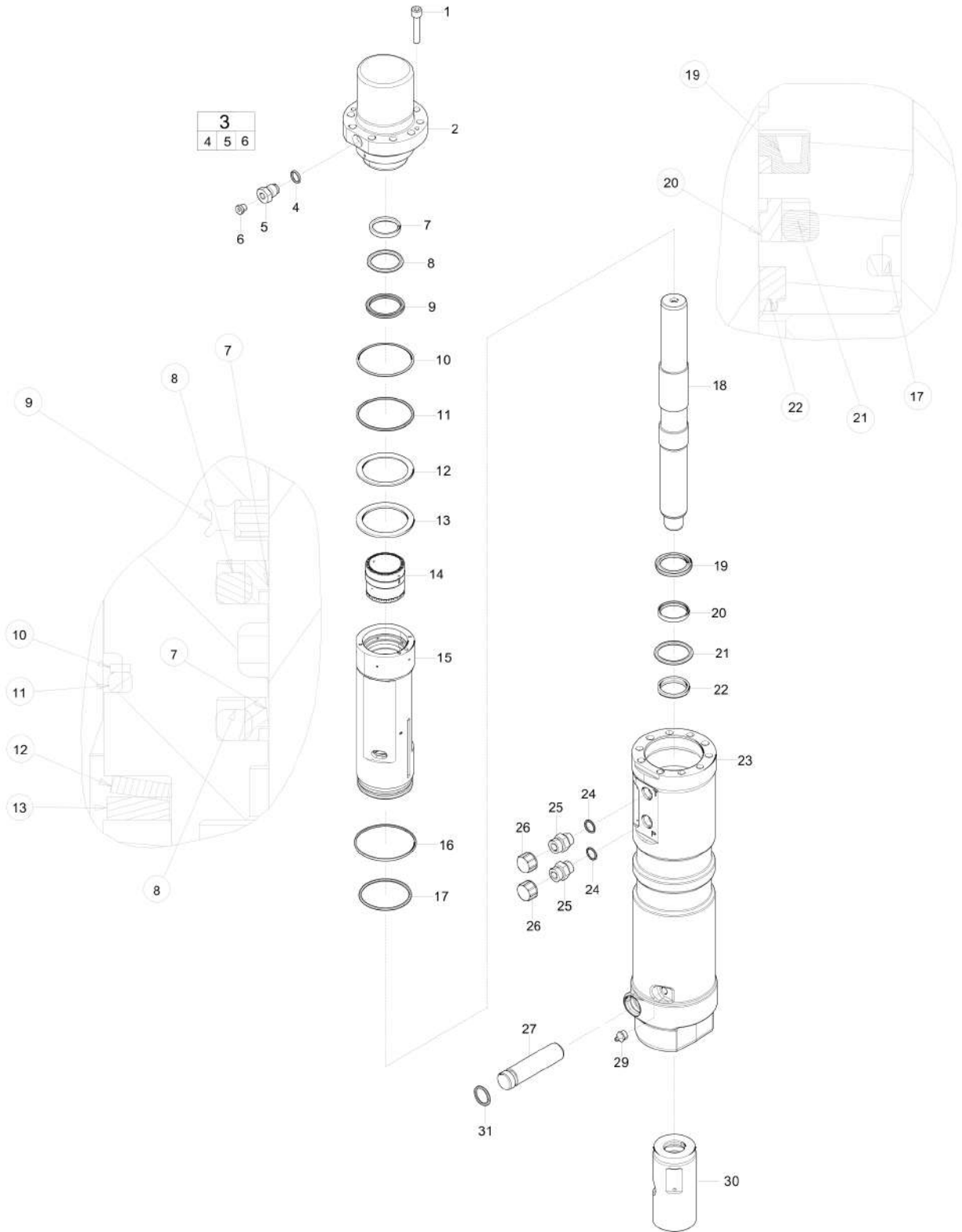


Refer to the DocMine web page for most up-to-date information. The printed information might be outdated.

Fri Mar 19 07:25:14 UTC 2021

Item	Part No.	Name	Qty	L
1		Tracking module HATCON	1	
2	3315439130	Damper HATCON	2	
3	3315439110	Housing type 1 HATCON	1	
4	3315439140	Lock ring HATCON	1	
5	3315439120	Sleeve HATCON	4	
6	3315439100	Product label HATCON	1	
7	3315442610	Screw HATCON	4	

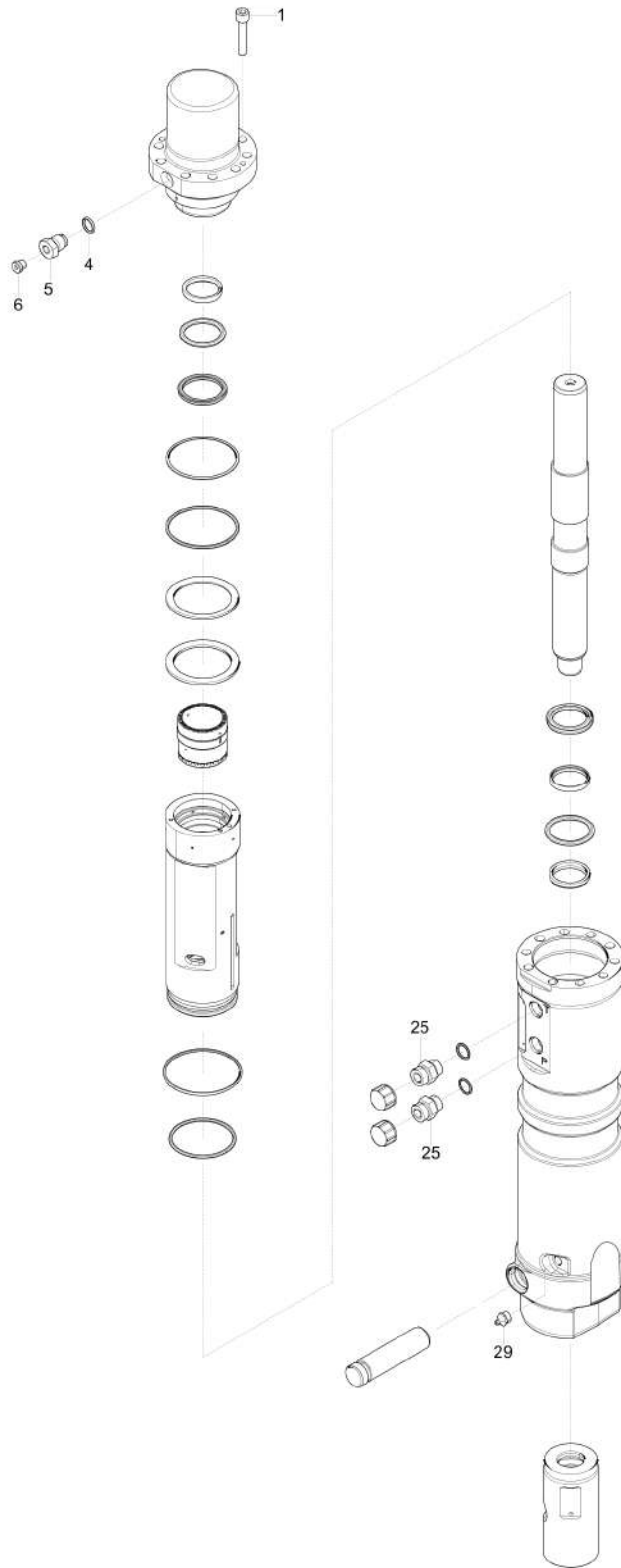
Mechanical Percussion unit



Refer to the DocMine web page for most up-to-date information. The printed information might be outdated.
Fri Mar 19 07:25:14 UTC 2021

Item	Part No.	Name	Qty	L
1	3315431103	MC6S M10X50 8.8 G627	10	
2	3315430200	Back head	1	
3	3363087286	Filling valve complete	1	
4	0663925100	O-ring, 15.08x2.62	1	
5	-	Filling valve	1	
6	3360478426	Threaded plug	1	
7	3361192053	stepseal	2	
8	3361192072	O-ring, 43.82 x 5.33 mm, (1.73 x 0.21")	2	
9	3361192052	Seal, 37.46 x 5.33 mm, (1.48 x 0.21") (70 shore)	1	
10	3361192058	Back-up ring, 79.53 x 3 mm , (3.13 x 0.12") (90 shore)	1	
11	3361192057	O-ring, 78.97 x 3.53 mm, 3.11 x 0.14 in. (90 shore)	1	
12	3361110004	Plate spring	1	
13	3361110005	Spacer	1	
14	3361110106	Control valve	1	
15	3361110002	Cylinder bush	1	
16	3315296605	one piece Seal	1	
17	3361192061	O-ring, 72 x 3.53 mm, 2.84 x 0.14 in. (90 shore)	1	
18	3315332530	Piston	1	
19	3361192063	Seal, 40 x 55.6 x 6 mm, (1.58 x 2.19 x 0.24")	1	
20	3361192064	stepseal	1	
21	3361192068	O-ring, 46.99 x 5.33 mm, (1.85 x 0.21") (70 shore)	1	
22	3361192065	Wiper, 40 x 48 x 5 mm, (1.58 x 1.89 x 0.20")	1	
23	3315430105	Cylinder housing	1	
24	3361192066	O-ring, 16.36x2.21	2	
25	3361031612	Fitting	2	
26	3361353485	Cap	2	
27	3315429812	Retainer pin	1	
29	0544215300	GREASE NIPPLE	1	
30	3361110019	Wear bush	1	
31	0663212111	O-RING 22X3,5		

Mechanical Tightening torque



Item	Part No.	Name	Qty	L
1	-	MC6S M10x50 - 28 Nm, see "Assembly instruction"		A
2	-	Filling valve - 130 Nm		
3	-	Threaded plug - 20 Nm		
4	-	Fitting - 60 Nm		
5	-	Grease nipple - 20 Nm		

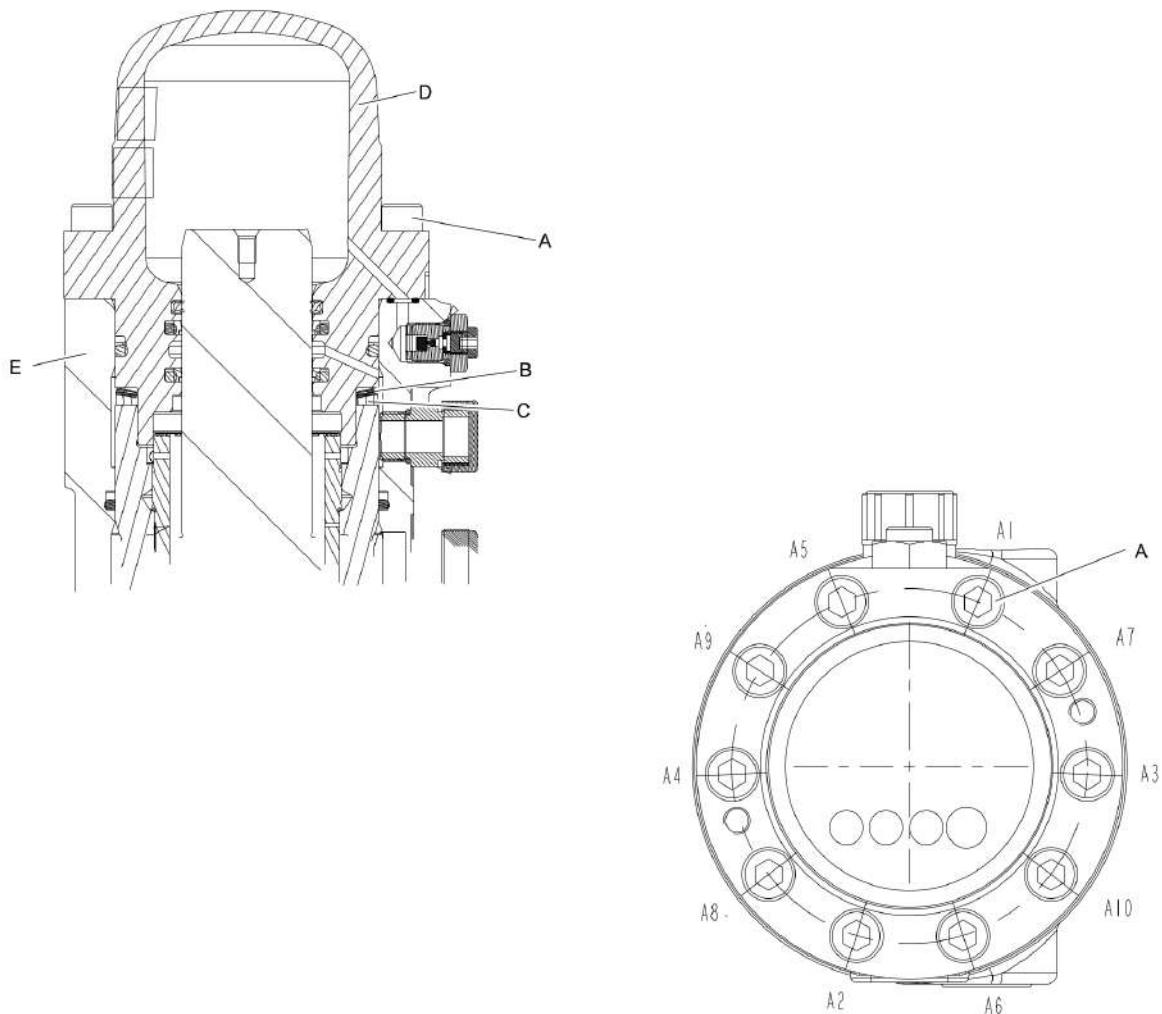
Comments for Page: Tightening torque

A: Pretighten the bolts to 15 Nm, proceeding in a crosswise fashion,

then tighten each bolt through 60° in a crosswise fashion,

finally tighten each bolt again through 30° in a crosswise fashion.

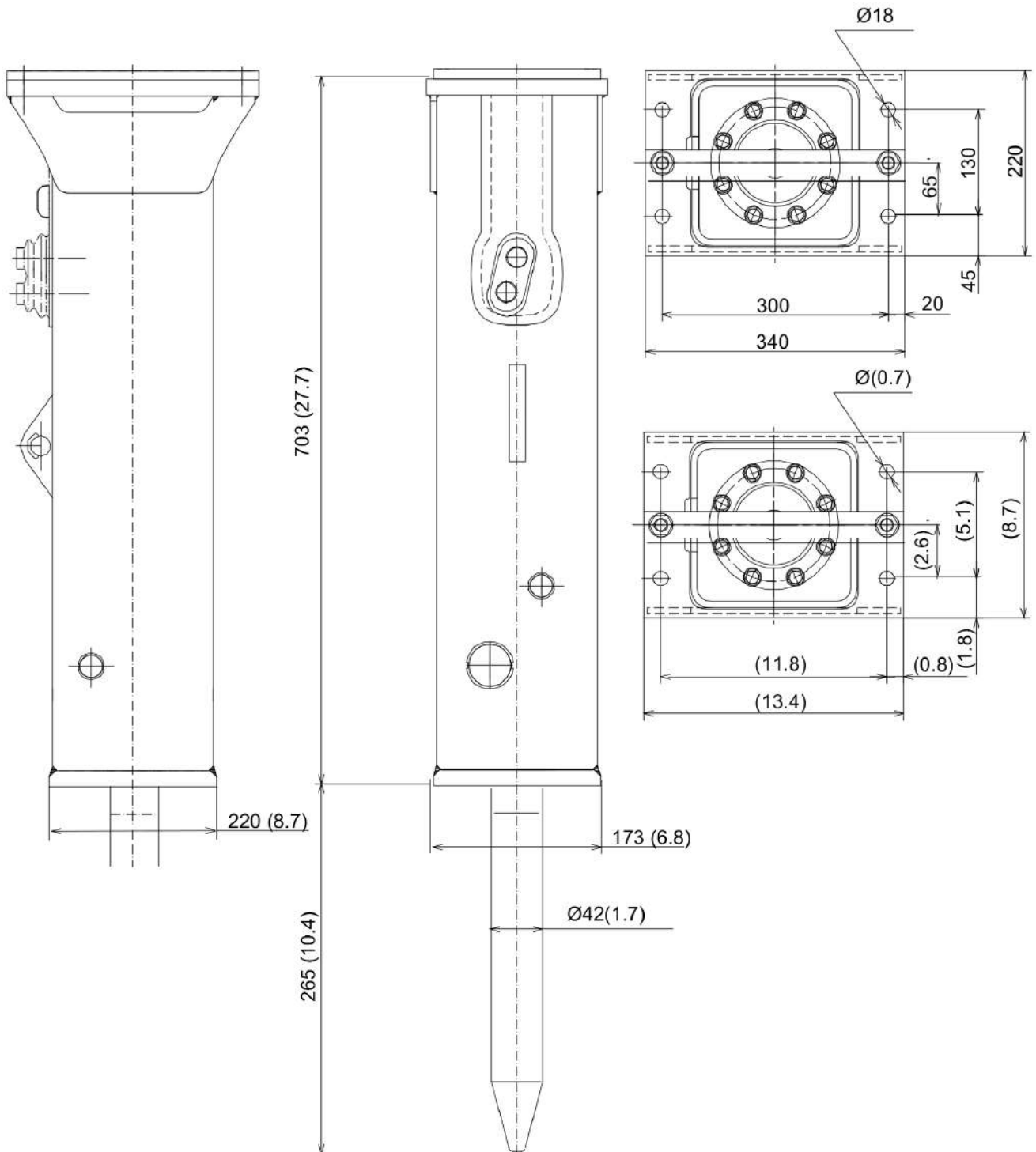
Mechanical Assembly instruction



1. Make sure the spring plate (B) and spacer (C) are centered before mounting the back head (D).
2. Press the back head (D) down on the spring plate (B) and spacer (C).
3. Grease the screws (A) with Molykote® 1000 (Molykote is a registered trademark of Dow Corning Corporation), and manually fit them on the back head (D)
4. Torque the screws (A) in the order from A1 to A10 in one step.

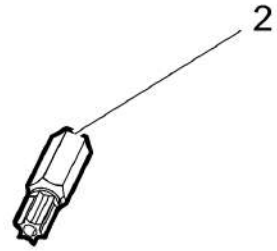
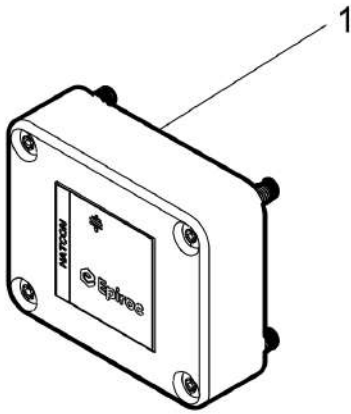
This page intentionally left blank

Mechanical Main dimensions, mm (in.)



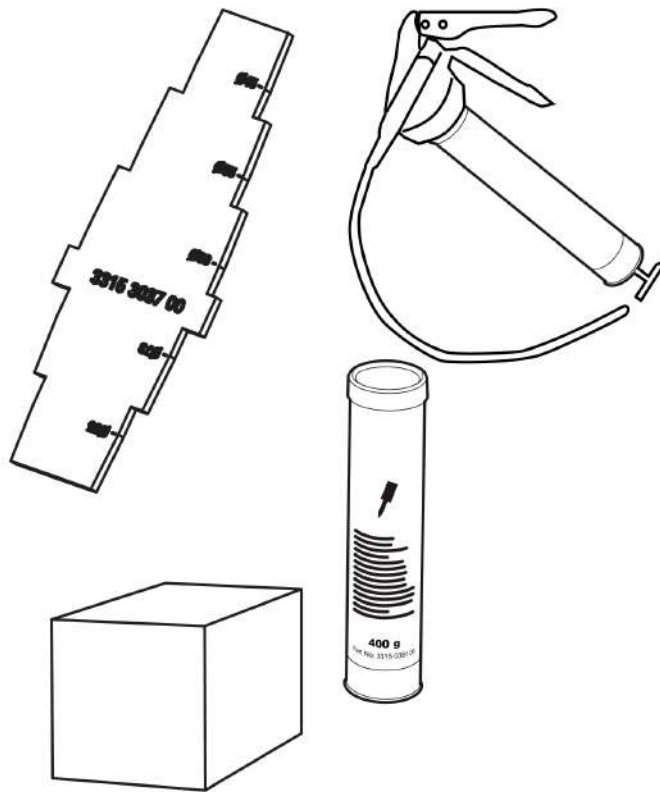
This page intentionally left blank

Options/accessories Retrofit



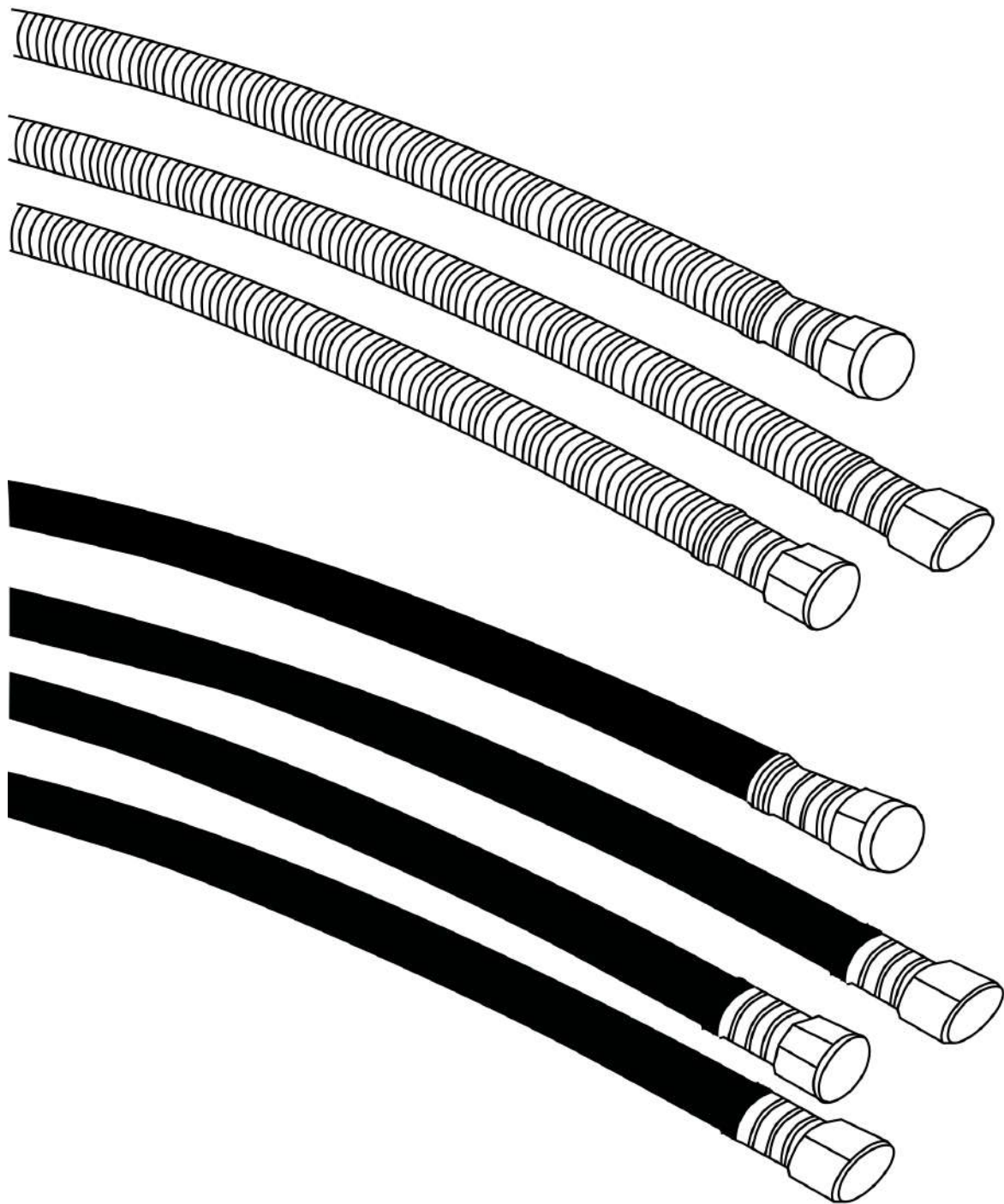
Item	Part No.	Name	Qty	L
1	3315442506	Retrofit kit HATCON	1	
2	3315439105	Security bit HATCON	1	
3	3315439106	Magnet HATCON	1	

Options/accessories Optional equipment



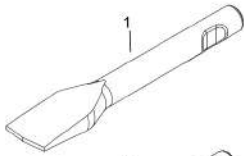
Item	Part No.	Name	Qty	L
1	3363094913	Chisel paste cartridge for grease gun, 12 x 400 g (0.88 lbs)	1	
2	0909107100	LUBRICAT.GUN	1	
3	3315303700	Test gauge wear bush	1	
4	3363089844	Maintenance and charging box with nitrogen cylinder, 2 l, 0.43 gal (0.53 US gal)	1	
5	3363094940	Maintenance and charging box without nitrogen cylinder	1	
6	3362269303	Base plate with through borings	1	
7	3363106507	Bolt kit	1	

Options/accessories Hydraulic hose

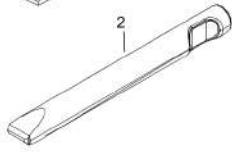


Item	Part No.	Name	Qty	L
Not Shown	-	Standard connection hoses	1	
-	3363115420	Hydraulic hose, I.D. 12 (0.47"), both ends M 22 x 1.5, conical seal 24°, length 1500 mm (59.05 in.)	2	
-	3363491001	Hydraulic hose, I.D. 12 (0.47"), both ends M22 x 1.5, conical seal 24°, length 1750 mm (69 in.)	2	
-	3363115421	Hydraulic hose, I.D. 12 (0.47"), both ends M 22 x 1.5, conical seal 24°, length 2100 mm (82.68 in.)	2	
Not Shown	-	Heavy duty connction hoses with spring protection	1	
-	3363115422	Hydraulic hose, I.D. 12 (0.47"), both ends M 22 x 1.5, conical seal 24°, length 1500 mm (59.05 in.)	2	
-	3363353551	Hydraulic hose, I.D. 12mm (0.47"), 15 L (M22x1.5), length 1750 mm (68.90 in.)	2	
-	3363085946	Hydraulic hose, I.D. 12 (0.47"), both ends M22 x 1.5, conical seal 24°, length 2100 mm (83 in.)	2	
Not Shown	3363116917	Hydraulic hose, I.D. 12 (0.47"), both ends M 22 x 1.5, conical seal 24°, length 1000 mm (39.4 in.)	2	

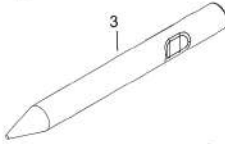
Options/accessories Working tools ClassicLine



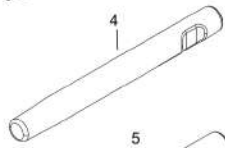
W=120 mm, L=370 mm, Lt=500 mm, Wt=9.7 kg
 W=4.72 inch, L=14.57 inch, Lt=19.7 inch, Wt=21.4 lb



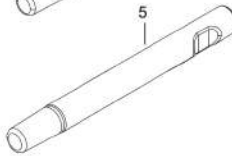
Lt=415 mm, Wt=4.3 kg
 Lt=16.34 inch, Wt=9.48 lb



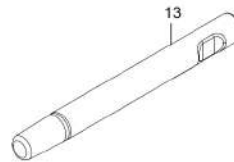
L=320 mm, Lt=530 mm, Wt=7.9 kg
 L=12.6 inch, Lt=20.87 inch, Wt=17.4 lb



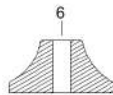
L=320 mm, Lt=530 mm, Wt=8.6 kg
 L=12.60 inch, Lt=20.87 inch, Wt=19.0 lb



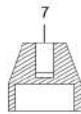
LT=420 mm, Wt=4.2 kg
 LT=16.5 inch, Wt=9.3 lb



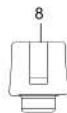
LT=280 mm, Wt=2.7kg
 LT=11.0 inch, Wt=6.0 lb



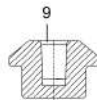
W= 200 mm, Wt=15 kg
 W= 7.87 inch, Wt=33.1 lb



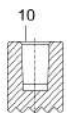
W=100 mm, Wt=8.5 kg
 W=3.94 inch, Wt=18.7 lb



W=50 mm, Wt=3.3 kg
 W=1.97 inch, Wt=7.3 lb



W=100 mm, Wt=5.4 kg
 W=3.94 inch, Wt=11.9 lb



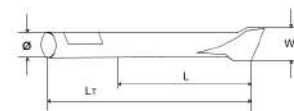
W=80 mm, Wt=3.1 kg
 W=3.15 inch, Wt=6.8 lb



W=80 mm, Wt=4.3 kg
 W=3.15 inch, Wt=9.5 lb



W=80 mm, Wt=5.2 kg
 W=3.15 inch, Wt=11.5 lb



Refer to the DocMine web page for most up-to-date information. The printed information might be outdated.

Fri Mar 19 07:25:18 UTC 2021

Item	Part No.	Name	Qty	L
1	3363110005	Asphalt cutter (cross)	1	
2	3083342420	Narrow chisel	1	
3	3083342421	Moil point	1	
4	3083342422	Blunt tool	1	
5	3083342480	Shaft	1	
6	3315370600	Tamping pad (square)	1	
7	3315371400	Post driver pad (round)	1	
8	3315372100	Pile driver pad (round)	1	
9	3315372200	PILE DRIVER	1	
10	3315372700	BUSH HAMMER	1	
11	3315372800	Bushing pad (round)	1	
12	3315372900	BUSH HAMMER	1	
13	3363125928	Shaft	1	

Any unauthorized use or copying of the contents or any part thereof is prohibited.
This applies in particular to trademarks, model denominations, part numbers, and drawings.