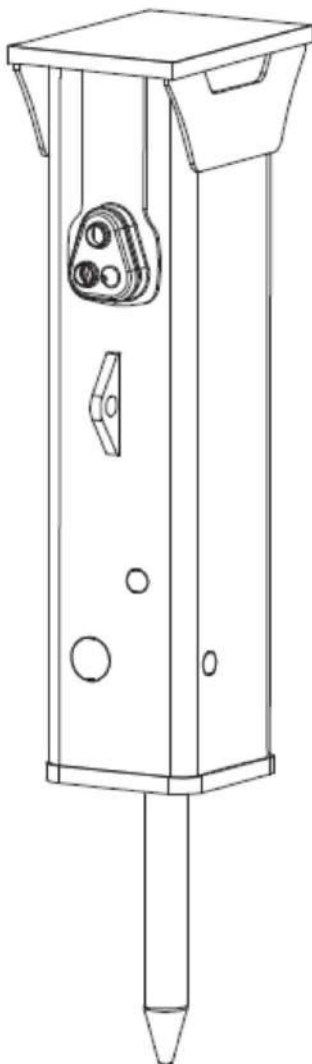


# EC 70T

---

## Spare parts list Hydraulic breakers

EC 70T s/n BES038596–



# General information

This spare parts list applies to the following:

Part number	Description
8460050113	EC 70T
8460050118	EC 70T

Use only authorized parts. Any damage or malfunction caused by the use of unauthorized parts is not covered by Warranty or Product Liability. Any unauthorized use or copying of the contents or any part thereof is prohibited. This applies in particular to trademarks, model denominations, part numbers, and drawings.

## Instructions for use

This spare parts list contains no safety regulations and is merely intended to assist in the ordering of spare parts.

For information about operating, servicing, or repairing, the relevant Safety and operating instructions must be consulted at all costs.

Please observe the safety instructions listed in the relevant Safety and operating instructions!

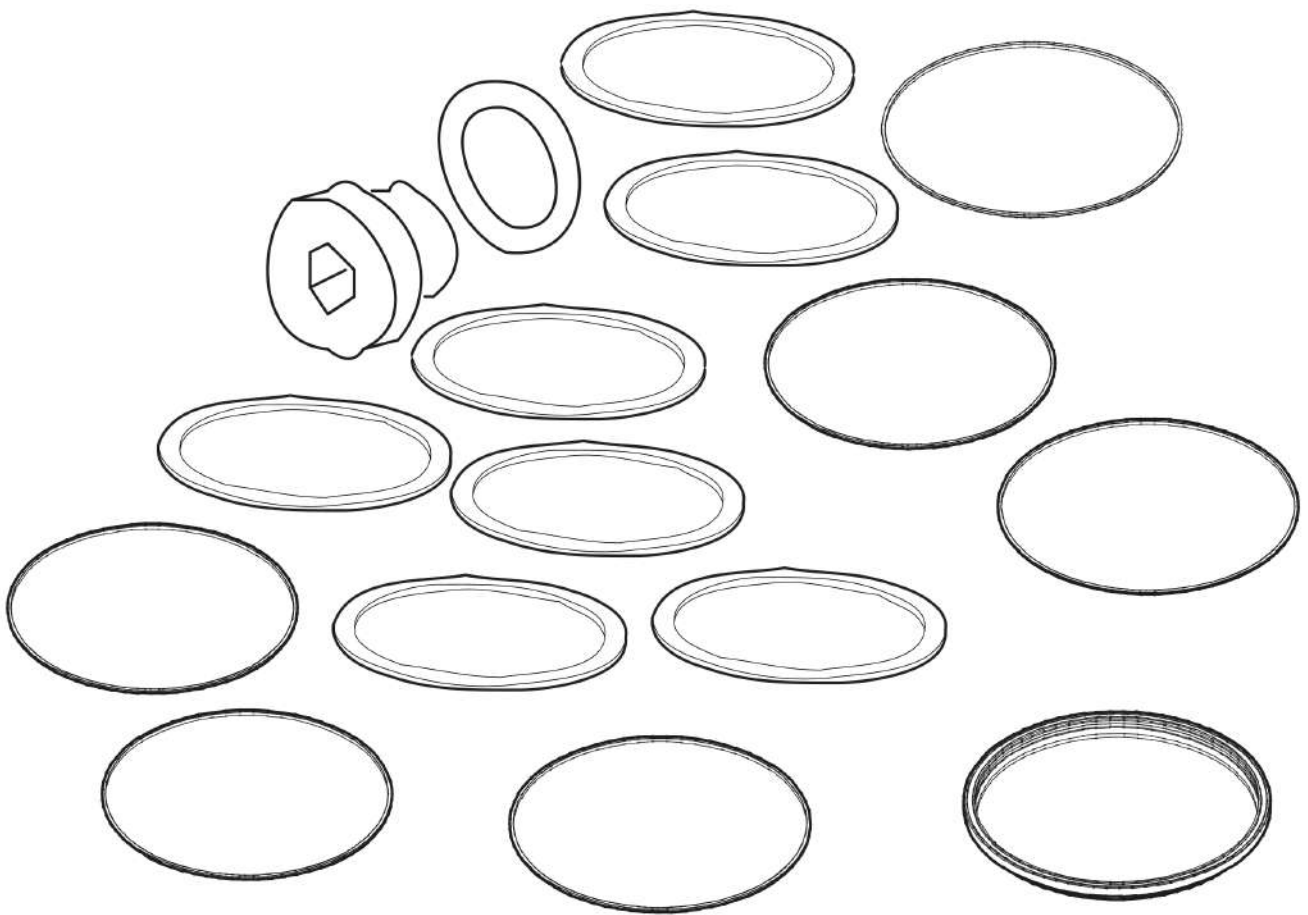
Kits and consumables .....	1
<b>Service, repair and wear part kits</b>	
Seal kit .....	3
Label kit .....	5
<b>Mechanical</b>	
Breaker body .....	7
Impact mechanism .....	9
Tightening torques .....	11
Assembly instruction .....	13
Main dimensions, mm (in.) .....	14
<b>Options/accessories</b>	
Optional equipment .....	16
Hydraulic hose .....	19
Working tools .....	21

## Kits and consumables

<b>Service offers resume EC70T</b>	<b>Item</b>	<b>Description</b>
<b>Lubricants</b>	1	Chisel paste cartridge (for manual greasing)
<b>Main wear part</b>	2	Elastic pad
	3	Retainer pin
	4	Retainer pin seal (big)
	5	Retainer pin seal (small)
	6	Shock absorber
	7	Wear bush
<b>Rebuild&amp;Overhaul kits</b>	8	Label kit
<b>Start-Up Kits</b>	9	Start-Up Kit Blunt
	10	Start-Up Kit Chisel (cross)
	11	Start-Up Kit Moil point
<b>Wear&amp;Repair Kits</b>	12	Filling valve complete
	13	Seal kit

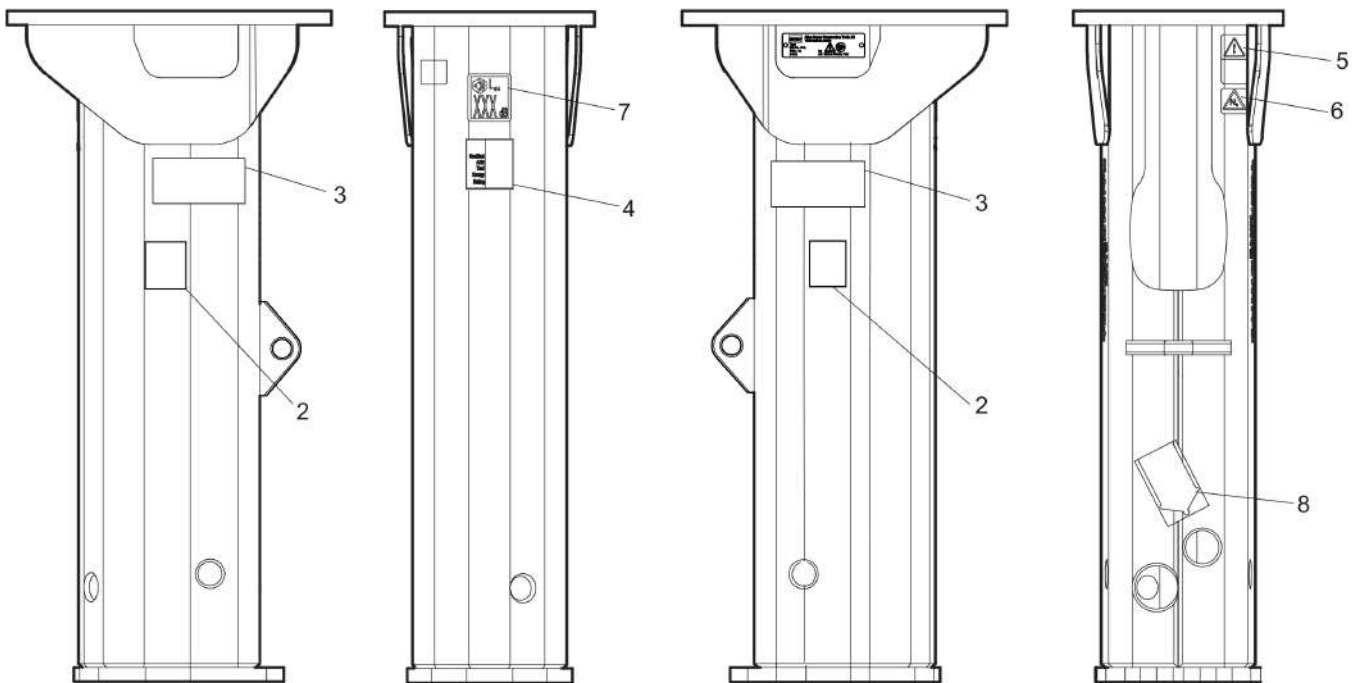
Item	Part No.	Name	Qty	L
1	3363094913	Chisel paste cartridge for grease gun, 12 x 400 g (0.88 lbs)	1	
2	3315416210	Shock absorber, upper	1	
3	3315410210	Retainer	1	
4	0663212006	O-ring, 26 x 6 mm	1	
5	3361192066	O-ring, 16.36x2.21	1	
6	3315289900	Shock absorber	1	
7	3361140009	Wear bush	1	
8	3382070010	Label kit	1	
9	3382070028	Start-Up Kit Blunt	1	
10	3382070027	Start-Up Kit Chisel (cross)	1	
11	3382070026	Start-Up Kit Moil point	1	
12	3363087286	Filling valve complete	1	
13	3382070009	Seal kit	1	

**Service, repair and wear part kits** Seal kit



Item	Part No.	Name	Qty	L
-	3382070009	Seal kit	1	
-	0663212006	O-ring, 26 x 6 mm	1	
-	0663925100	O-ring, 15.08x2.62	1	
-	3115329002	Seal, SRC 8 x 14 x 2.4 mm	1	
-	3360478426	Threaded plug	1	
-	3361192017	Seal	1	
-	3361192018	Seal	2	
-	3361192019	O-ring, $\varnothing$ 72.39 x 5.33 mm , $\varnothing$ 2.85 x 0.21 in.	2	
-	3315296620	One piece seal	1	
-	3361192022	O-ring, $\varnothing$ 116.84 x 5.33 mm , $\varnothing$ 4.60 x 0.21 in.	1	
-	3361192023	Back-up ring, $\varnothing$ 118.19 x 4.65 mm , $\varnothing$ 4.65 x 0.18 in.	1	
-	3361192025	O-ring, $\varnothing$ 113.67 x 5.33 mm, 90 shore (NBR)	1	
-	3361192027	Seal, 70 x 85.1 x 6.3 mm , 2.76 x 3.35 x 0.25 in.	1	
-	3361192015	O-ring, 85.09 x 5.33 mm	1	
-	3361192029	O-ring, 75.57 x 5.33 mm , 2.98 x 0.21 in.	1	
-	3361192030	Wiper, 70 x 80 x 6.3 x 9 mm , 2.76 x 3.15 x 0.25 x 0.35 in.	1	
-	3361192066	O-ring, 16.36x2.21	1	
-	3361192067	O-ring	1	

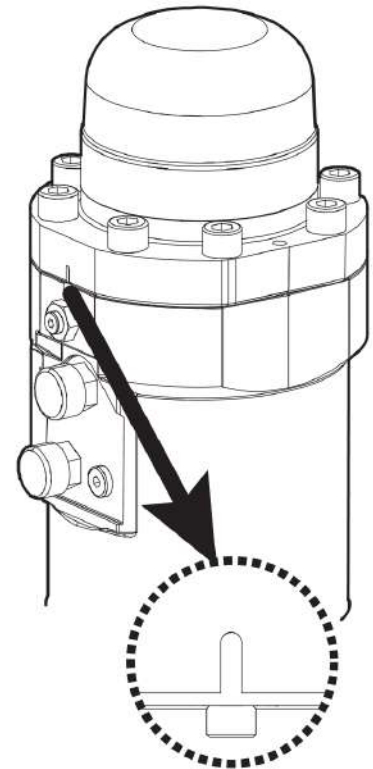
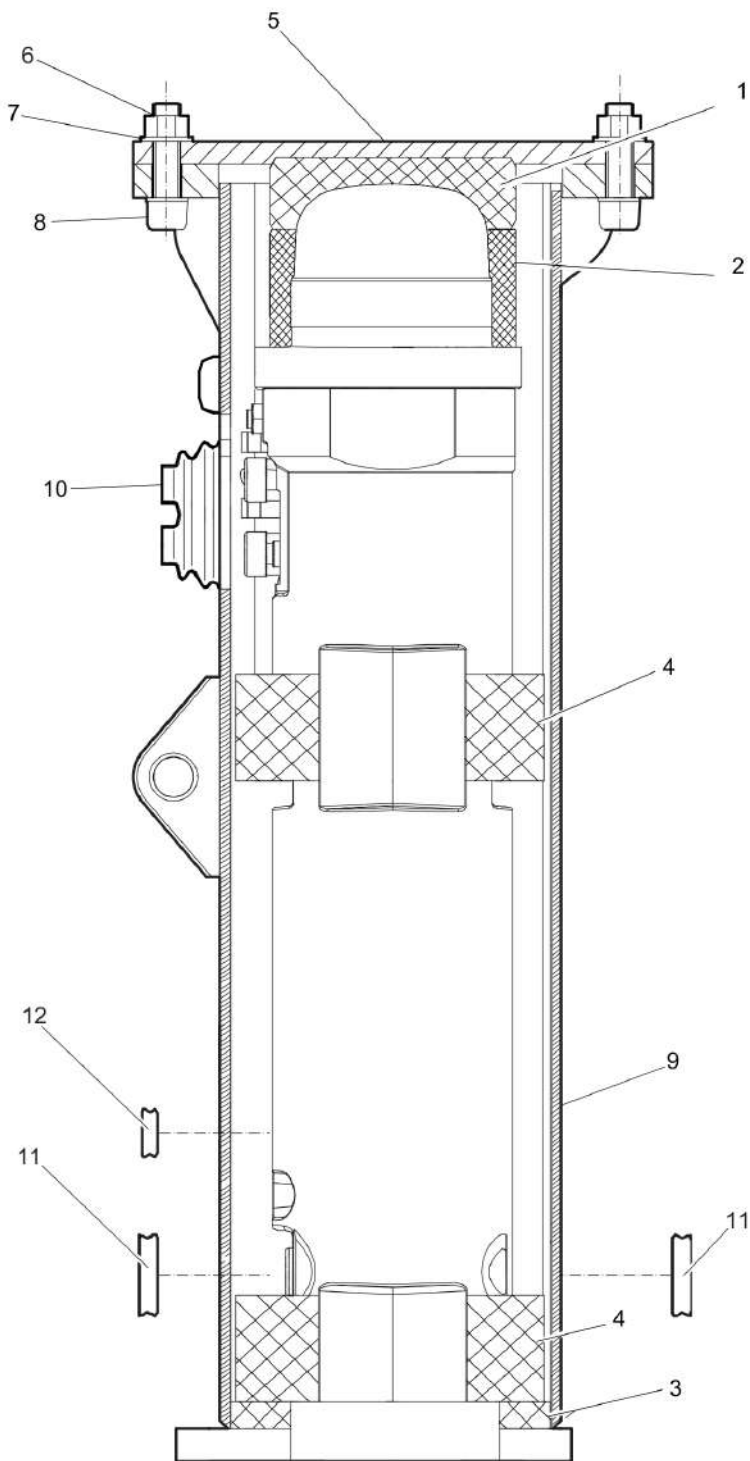
Service, repair and wear part kits Label kit



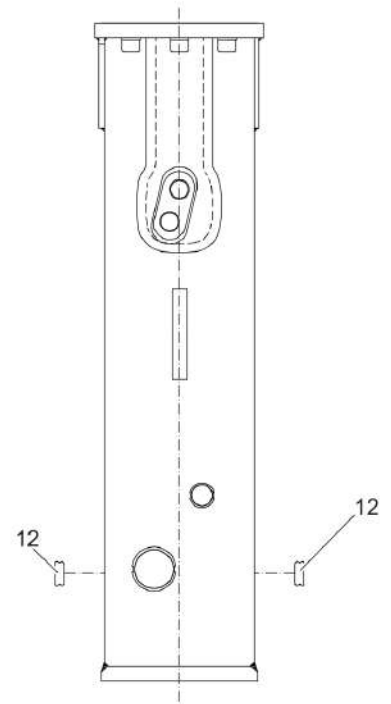


Item	Part No.	Name	Qty	L
1	3382070010	Label kit	1	
2	-	Product label	2	
3	-	Product label	2	
4	-	AEM sign	1	
5	3315262900	Safety label	1	
6	3315263000	Safety label	1	
7	-	Sound power label, 114 dB	1	
8	3360995411	Label - Lubricating symbol	1	

**Mechanical** Breaker body

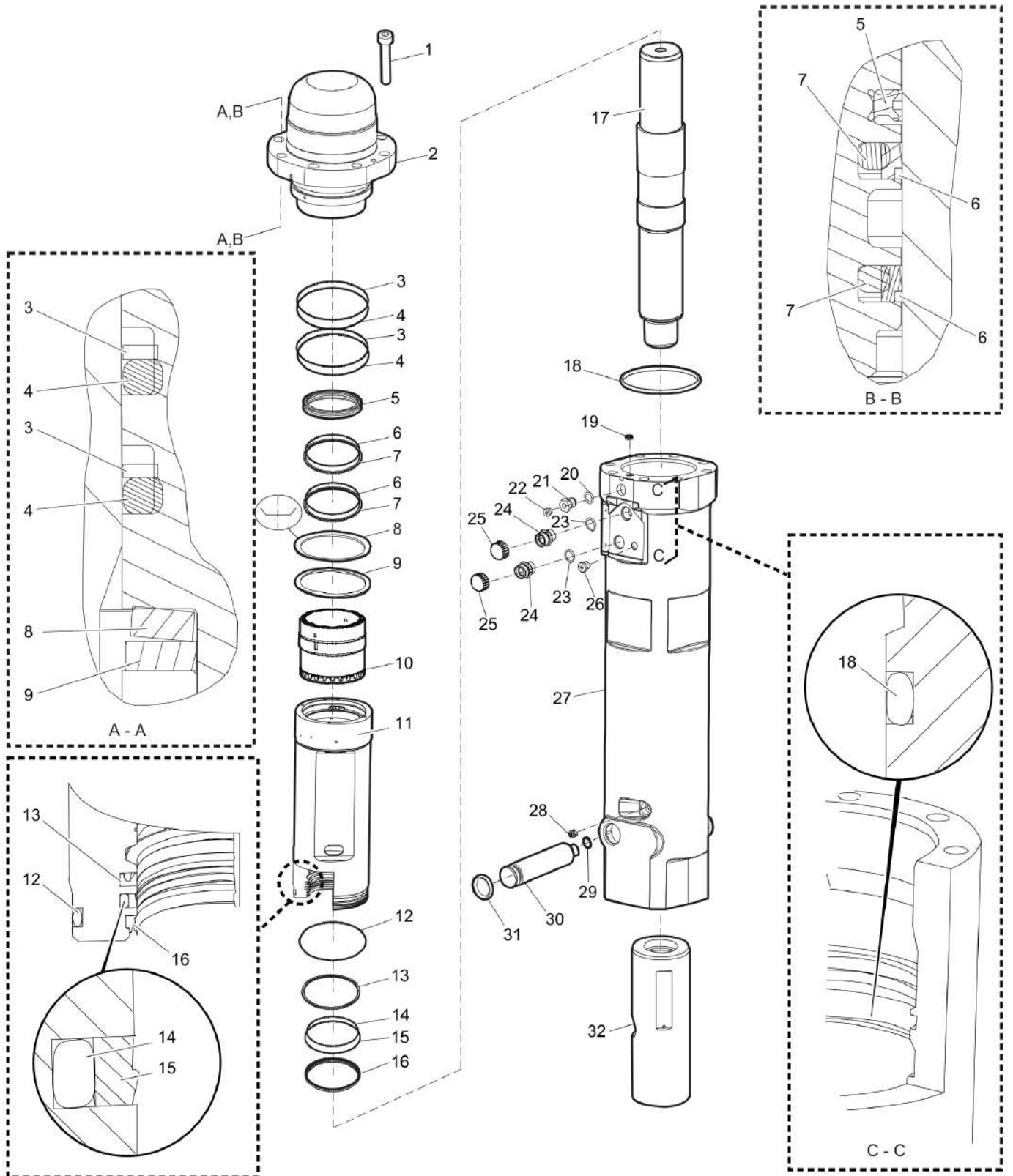


Install the back head onto cylinder housing where the marks meet each other.



Item	Part No.	Name	Qty	L
1	3315416210	Shock absorber, upper	1	
2	3315416234	Spacer	1	
3	3315289900	Shock absorber	1	
4	3315425500	Lower guide	2	
5	3362264991	Base plate, optional	1	
6	3360103251	Nut	6	
7	3361850748	Pair of lock washers	12	
8	0211155703	Screw, optional, M20 x 80 mm	6	
9	3315289300	Breaker box	1	
10	3362491006	Cover	1	
11	3362491007	Plug	2	
12	3362491004	Plug	3	

**Mechanical** Impact mechanism

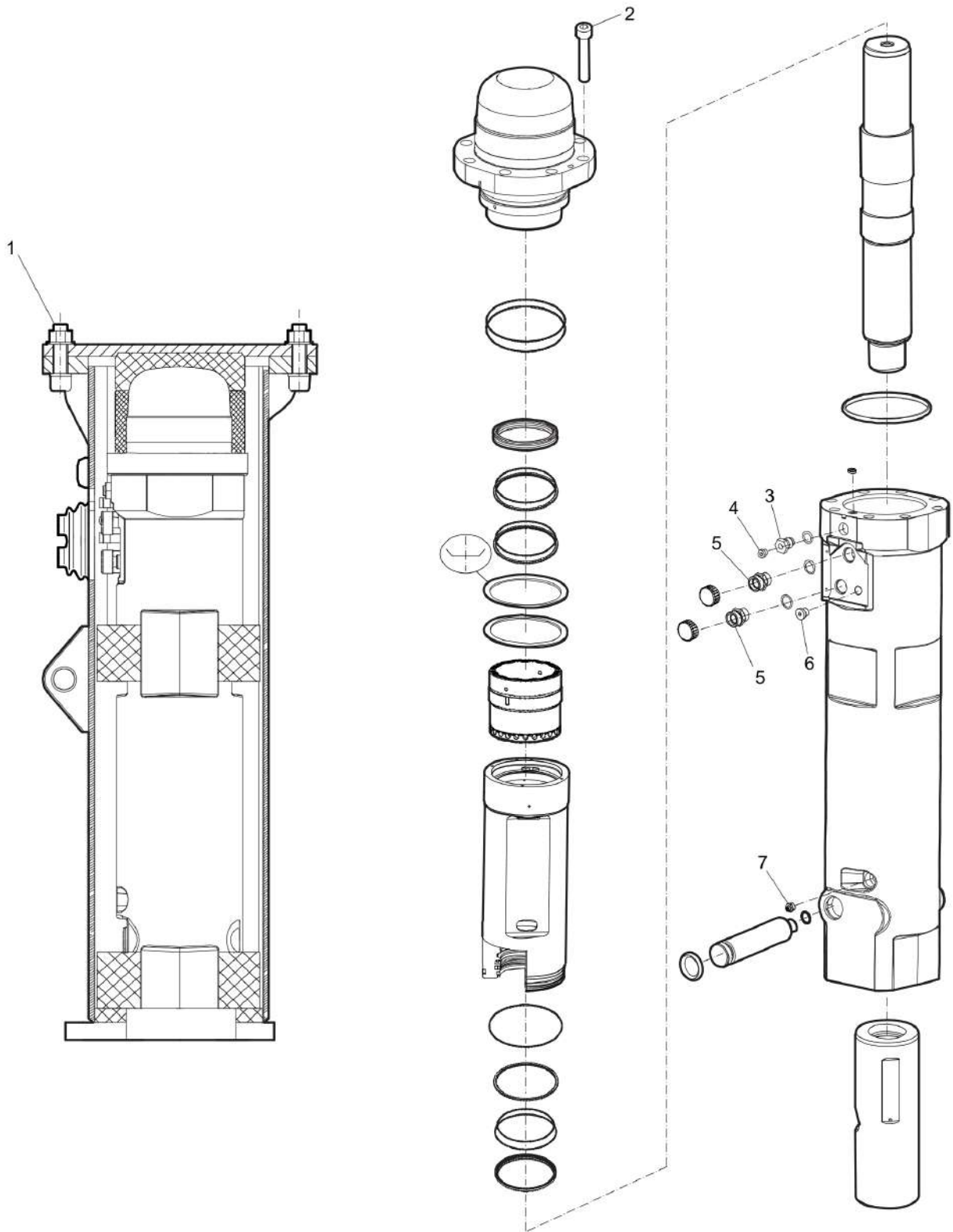


Refer to the Parts Online web page for most up-to-date information. The printed information might be outdated.

Item	Part No.	Name	Qty	L
1	0211148303	Screw, M16 x 70 mm	8	
2	3315413300	Back head	1	
3	3361192023	Back-up ring, $\varnothing$ 118.19 x 4.65 mm , $\varnothing$ 4.65 x 0.18 in.	2	
4	3361192022	O-ring, $\varnothing$ 116.84 x 5.33 mm , $\varnothing$ 4.60 x 0.21 in.	2	
5	3361192017	Seal	1	
6	3361192018	Seal	2	
7	3361192019	O-ring, $\varnothing$ 72.39 x 5.33 mm , $\varnothing$ 2.85 x 0.21 in.	2	
8	3361140004	Plate spring	1	
9	3361140005	Spacer	1	
10	3361140106	Control valve	1	
11	3361140002	Cylinder bush	1	
12	3361192025	O-ring, $\varnothing$ 113.67 x 5.33 mm, 90 shore (NBR)	1	
13	3361192027	Seal, 70 x 85.1 x 6.3 mm , 2.76 x 3.35 x 0.25 in.	1	
14	3361192015	O-ring, 85.09 x 5.33 mm	1	
15	3361140002	Cylinder bush	1	
16	3361192030	Wiper, 70 x 80 x 6.3 x 9 mm , 2.76 x 3.15 x 0.25 x 0.35 in.	1	
17	3315305100	Piston	1	
18	3315296620	One piece seal	1	
19	3115329002	Seal, SRC 8 x 14 x 2.4 mm	1	
20	0663925100	O-ring, 15.08x2.62	1	
21	3363087286	Filling valve complete	1	
22	3360478426	Threaded plug	1	
23	3361192067	O-ring	2	
24	3361031476	Fitting	2	
25	3361353486	Cap	2	
26	3363066963	Plug, M14 x 1.5 mm	1	
27	3315407000	Housing	1	
28	0544215300	Grease nipple, ISO 7-R 1/4	1	
29	3361192066	O-ring, 16.36x2.21	1	
30	3315410210	Retainer	1	
31	0663212006	O-ring, 26 x 6 mm	1	
32	3361140009	Wear bush	1	

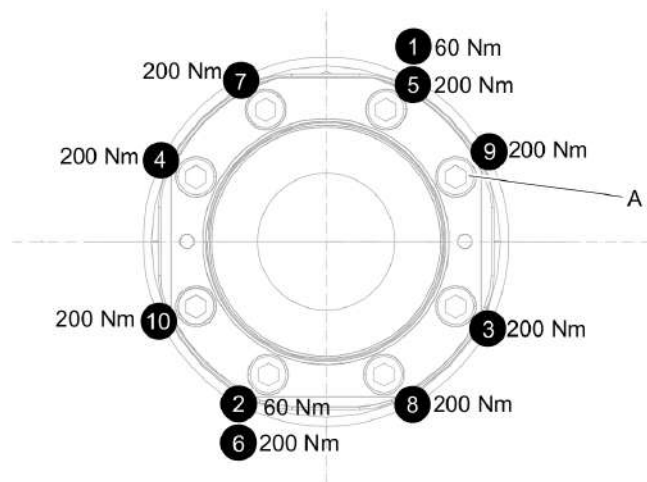
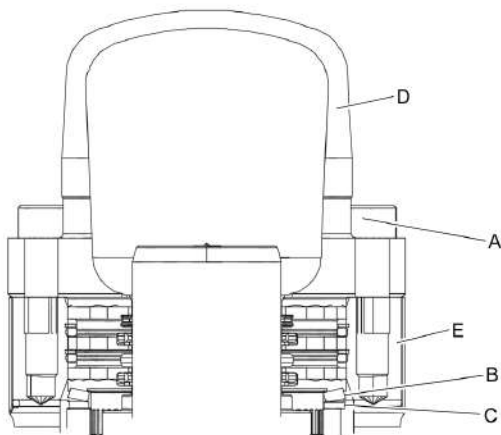
Refer to the Parts Online web page for most up-to-date information. The printed information might be outdated.

**Mechanical** Tightening torques



Refer to the Parts Online web page for most up-to-date information. The printed information might be outdated.

Item	Part No.	Name	Qty	L
1	-	Screw, 390 Nm	-	
2	-	Screw, 60 Nm/200 Nm, see "Assembly instruction"	-	
3	-	Filling valve, 130 Nm	-	
4	-	Threaded plug, 20 Nm	-	
5	-	Nipple, 90 Nm	-	
6	-	Plug, 30 Nm	-	
7	-	Grease nipple, 20 Nm	-	

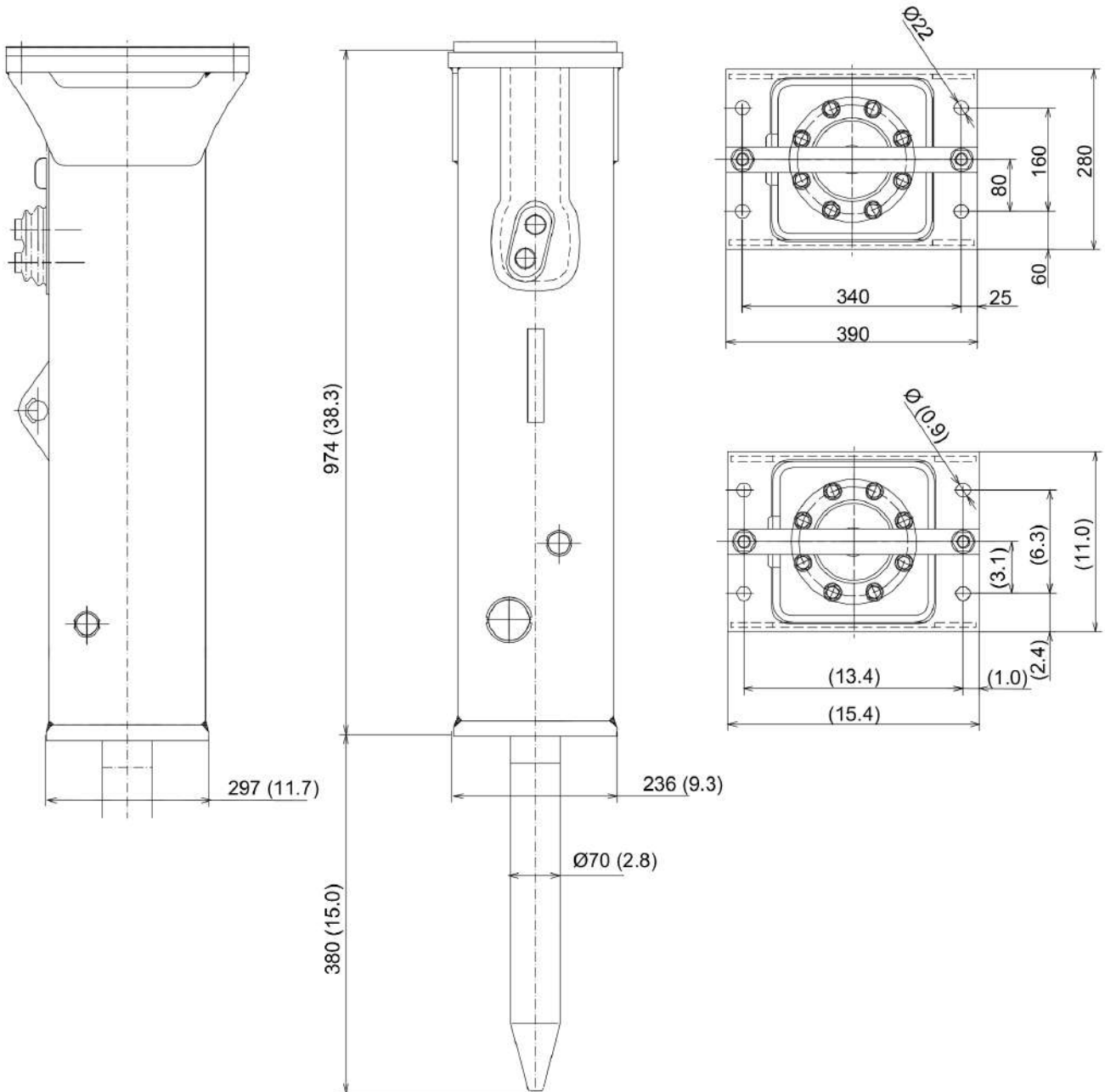
**Mechanical** Assembly instruction

1. Make sure the spring plate (B) and spacer (C) are centered before mounting the back head (D).
  2. Press the back head (D) down on the spring plate (B) and spacer (C).
  3. Grease the screws (A) with Molykote® 1000 (Molykote is a registered trademark of Dow Corning Corporation), and manually fit them on the back head (D)
  4. Torque the first two screws (A) in the order shown in picture above to 60 Nm. This will compress the spring plate (B), and fit the back head (D) into the cylinder housing (E). Torque the rest of screws (A) in the order shown in picture above to 200 Nm.
- NOTICE Always start by fitting screws by hands.
- NOTICE Tighten in two stages.
- Stage 1: 60 Nm  
Stage 2: 200 Nm



This page intentionally left blank

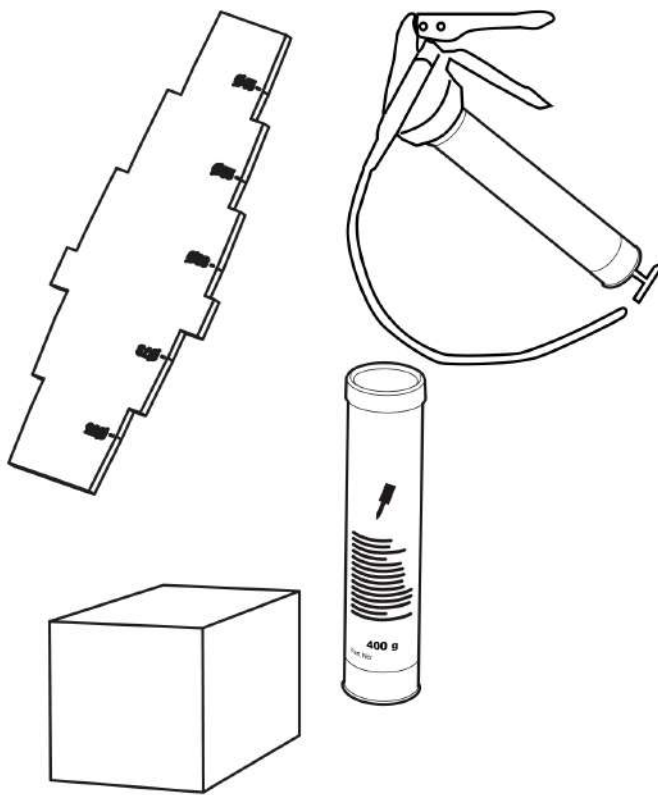
**Mechanical** Main dimensions, mm (in.)



Refer to the Parts Online web page for most up-to-date information. The printed information might be outdated.

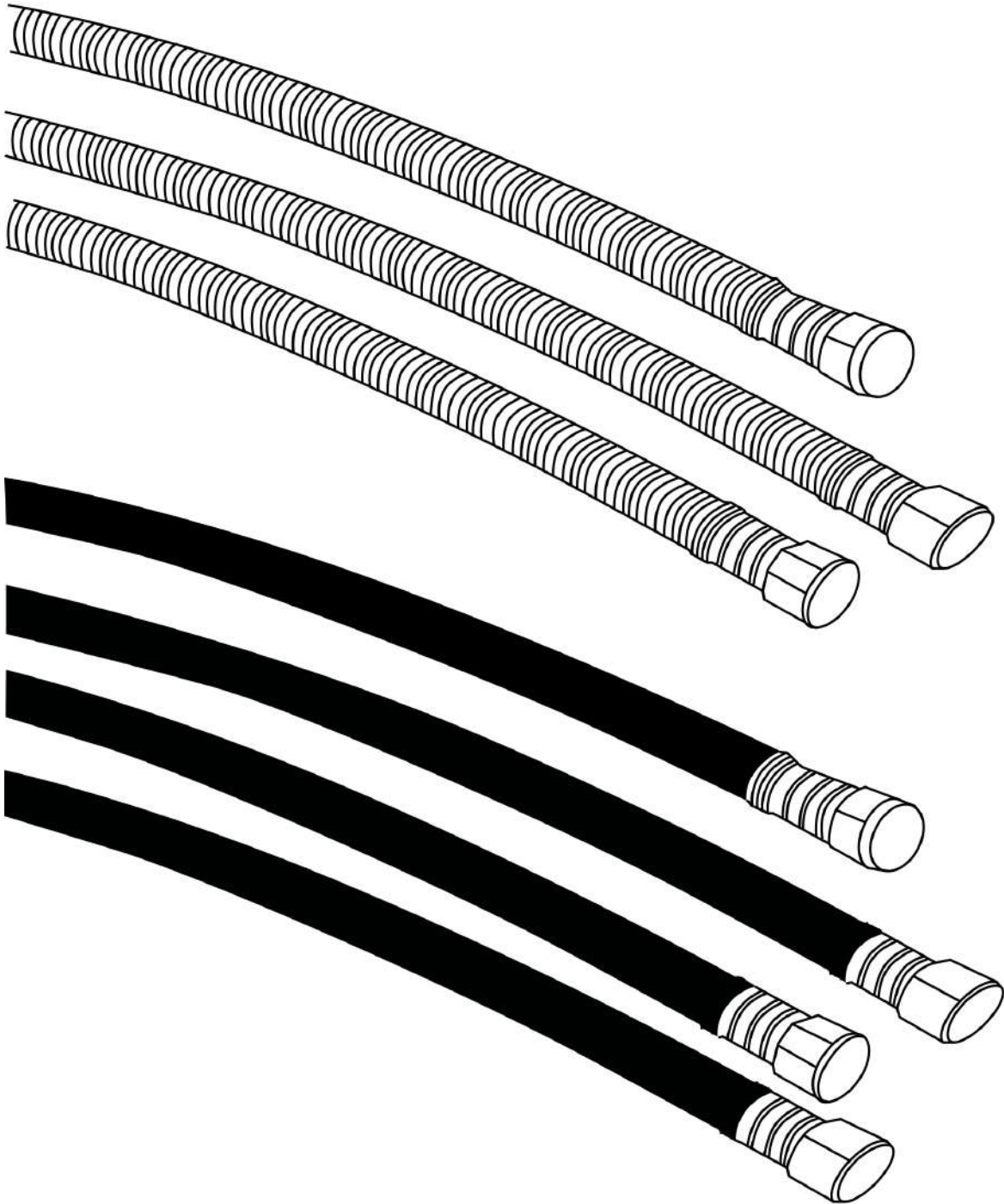
This page intentionally left blank

**Options/accessories** Optional equipment



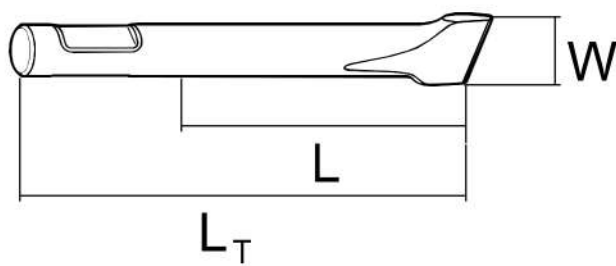
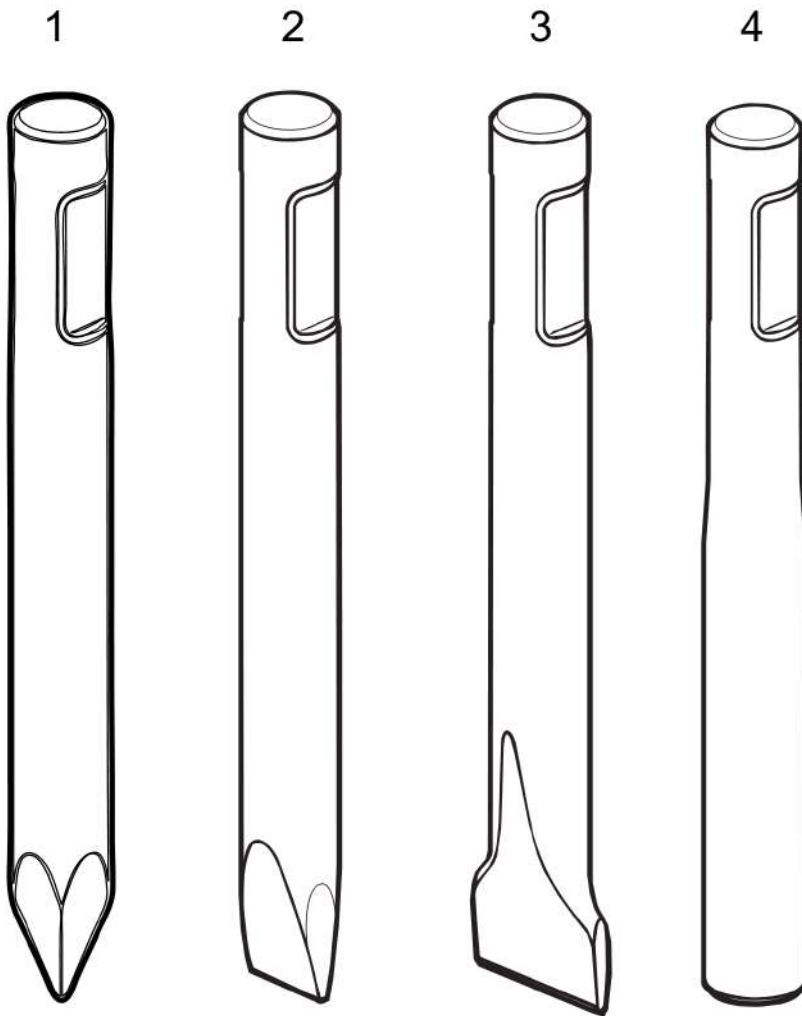
Item	Part No.	Name	Qty	L
1	3363094913	Chisel paste cartridge for grease gun, 12 x 400 g (0.88 lbs)	1	
2	0909107100	Grease gun for 400 g cartridge	1	
3	3315303700	Test gauge wear bush	1	
4	3363089844	Maintenance and charging box with nitrogen cylinder, 2 l, 0.43 gal (0.53 US gal)	1	
5	3363094940	Maintenance and charging box without nitrogen cylinder	1	
6	3363099701	Base plate with through borings	1	
7	3363106508	Bolt kit	1	

**Options/accessories** Hydraulic hose



Item	Part No.	Name	Qty	L
1	-	Standard connection hoses	1	
2	3363491002	Hose, both ends 18 L(M26x1.5) length 1500 mm	2	
3	3363115423	Hose, both ends 18 L(M26x1.5) length 1750 mm	2	
4	3363115424	Hose, both ends 18 L(M26x1.5) length 2000 mm	2	
5	3363115425	Hose, both ends 18 L(M26x1.5) length 2400 mm	2	
6	-	Heavy duty connction hoses with spring protection	1	
7	3360995717	Hose, both ends 18 L(M26 x 1.5) length 1500 mm	2	
8	3363115426	Hose, both ends 18 L(M26x1.5) length 1750 mm	2	
9	3362235159	Hose, both ends 18 L(M26 x 1.5) length 2000 mm	2	
10	3363083313	Hose, both ends 18 L(M26 x 1.5) length 2400 mm	2	

Options/accessories Working tools





Item	Part No.	Name	Qty	L
1	3363140001	Moil point (conical)		A
2	3363140002	Chisel (cross)		B
3	3363140005	Asphalt cutter (cross)		C
4	3363140003	Blunt tool		D

Comments for Page: Working tools

A | L=380 mm, Lt=665 mm, Wt=18 kg

L=14.96 inch, Lt=26.18 inch, Wt=39.7 lb

B | W=70 mm, L=380 mm, Lt=665 mm, Wt=18.7 kg

W=1.65 inch, L=10.43 inch, Lt=16.73 inch, Wt=9.3 lb

C | W=200 mm, L=435 mm, Lt=720 mm, Wt=22.7 kg

W=7.87 inch, L=17.13 inch, Lt=28.35 inch, Wt=50 lb

D | L=380 mm, Lt=665 mm, Wt=17.6 kg

L=14.96 inch, Lt=26.18 inch, Wt=38.8 lb





Any unauthorized use or copying of the contents or any part thereof is prohibited.  
This applies in particular to trademarks, model denominations, part numbers, and drawings.