

INTERMERCATO[®]
HIGH PERFORMANCE LIFT & LOAD ATTACHMENTS

Tree shears T-Cut for excavator

One of our most popular and well established attachments

The Intermercato T-Cut tree shear is suitable for tough jobs through its oversized construction. The cutting angle of the knife has been carefully tested to perfection.

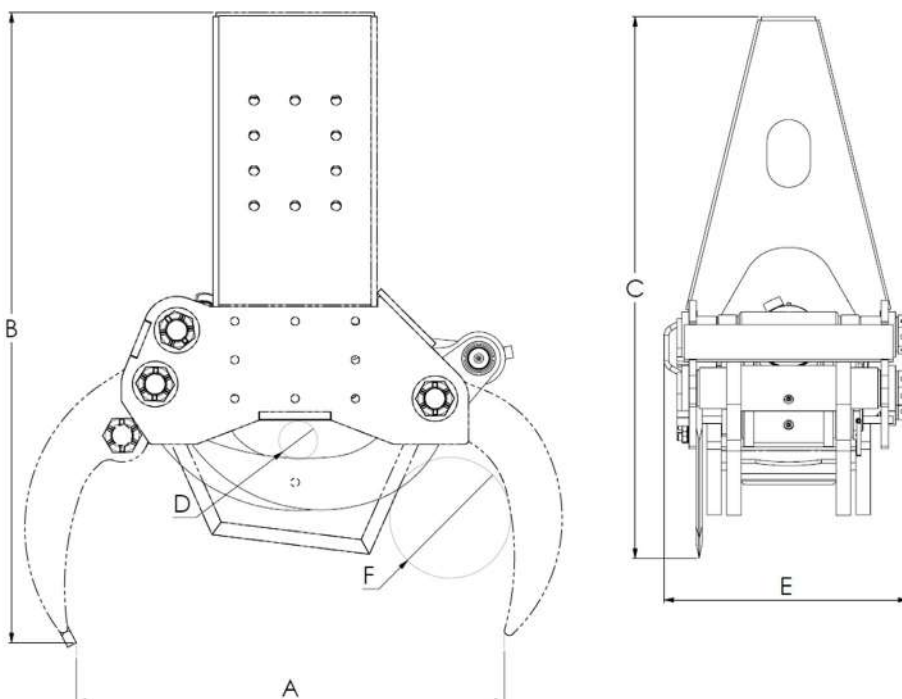


KEY FEATURES

- Completely made of Hardox[®]
- For excavator attachments and tilt rotator
- 4-claw, cuts from both angles
- Cylinder with double piston rod seals for high pressures
- Double guide bars
- BWG-bushings with special alloy for extra durability

DEFINITELY A BEAST.

www.intermercato.com



	T-Cut 18	T-Cut 25	T-Cut 30	T-Cut 40
A	660	892	1052	1375
B	1017	1303	1522	1790
C	858	1103	1285	1492
D	40	80	80	100
E	410	505	557	706
F	180	250	300	400

MODEL SPECIFICATION



Cutting diam.*



MODEL	Weight (Kg)	Cutting diam.*	Bar	Flow rate (l/min)	Force (kN)	Tension (ton)	Attachment 1 (tm)	Attachment 2 (tm)	Attachment 3 (E ton)	Attachment 4 (E ton)	Attachment 5 (Tractor)
T-Cut 18	170	180	250	30	43	-	-	-	-	2-5	-
T-Cut 25	334	250	250	60	58	-	-	-	-	6-14	-
T-Cut 30	513	300	250	70	88	-	-	-	-	12-20	-
T-Cut 40	1020	400	300	100	120	-	-	-	-	18-36	-

* Cuts up to

Recommended machine weight and crane size



Intermercato is not only grapples - Explore our complete range of products on www.intermercato.com, or contact our proficient sales team.

Accessorize your grab

TC Collector

The TC Collector makes your tree shear an even more efficient tool. Bolt-on.

Excavator attachment

Accessorize your tree shear with an excavator attachment. We have suitable attachments for all types of excavators. We can also deliver all our grabs and clamshell buckets complete with hose kit!



INTERMERCATO®

High performance lift and load attachments for Forestry, Transport, Construction and Recycling.

