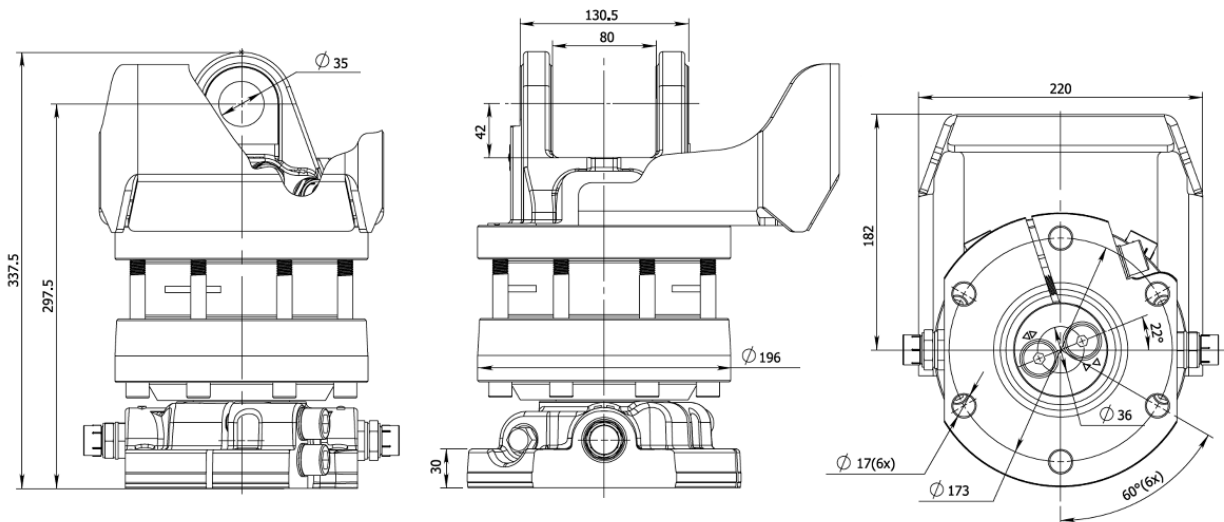




KEY FEATURES

- Improved performance
- Endless rotation
- High torque
- Optimized positioning performance
- Extra reinforced hose protection included
- Steel flange for increased durability



MODEL SPECIFICATIONS



RX 60F	46	6	250/300	25	360°	1850	1/2"	30
--------	----	---	---------	----	------	------	------	----

