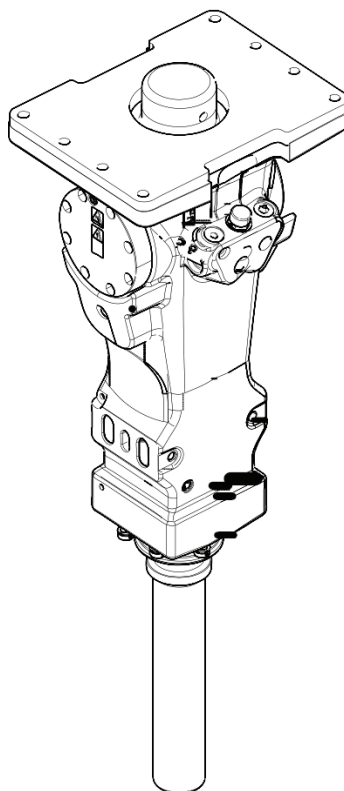


SB 302 Tunnel

Spare parts list Hydraulic breakers

SB 302 Tunnel s/n BES083100 –



General information

This spare parts list applies to the following:

Part number	Description
8460030063	SB 302 Tunnel

Use only authorized parts. Any damage or malfunction caused by the use of unauthorized parts is not covered by Warranty or Product Liability. Any unauthorized use or copying of the contents or any part thereof is prohibited. This applies in particular to trademarks, model denominations, part numbers, and drawings.

Instructions for use

This spare parts list contains no safety regulations and is merely intended to assist in the ordering of spare parts.

For information about operating, servicing, or repairing, the relevant Safety and operating instructions must be consulted at all costs.

Please observe the safety instructions listed in the relevant Safety and operating instructions!

I

Service, repair and wear part kits

Label kit 1
Seal kit 3
Lower hammer part kit 5
Accumulator repair kit 7

Mechanical

Spare part list 9
Optional parts - Bushing oversize, complete 13
Optional parts - Restrictor, complete 15
Tightening torque 17
Dimensions (mm) 19
Assembly instruction 20

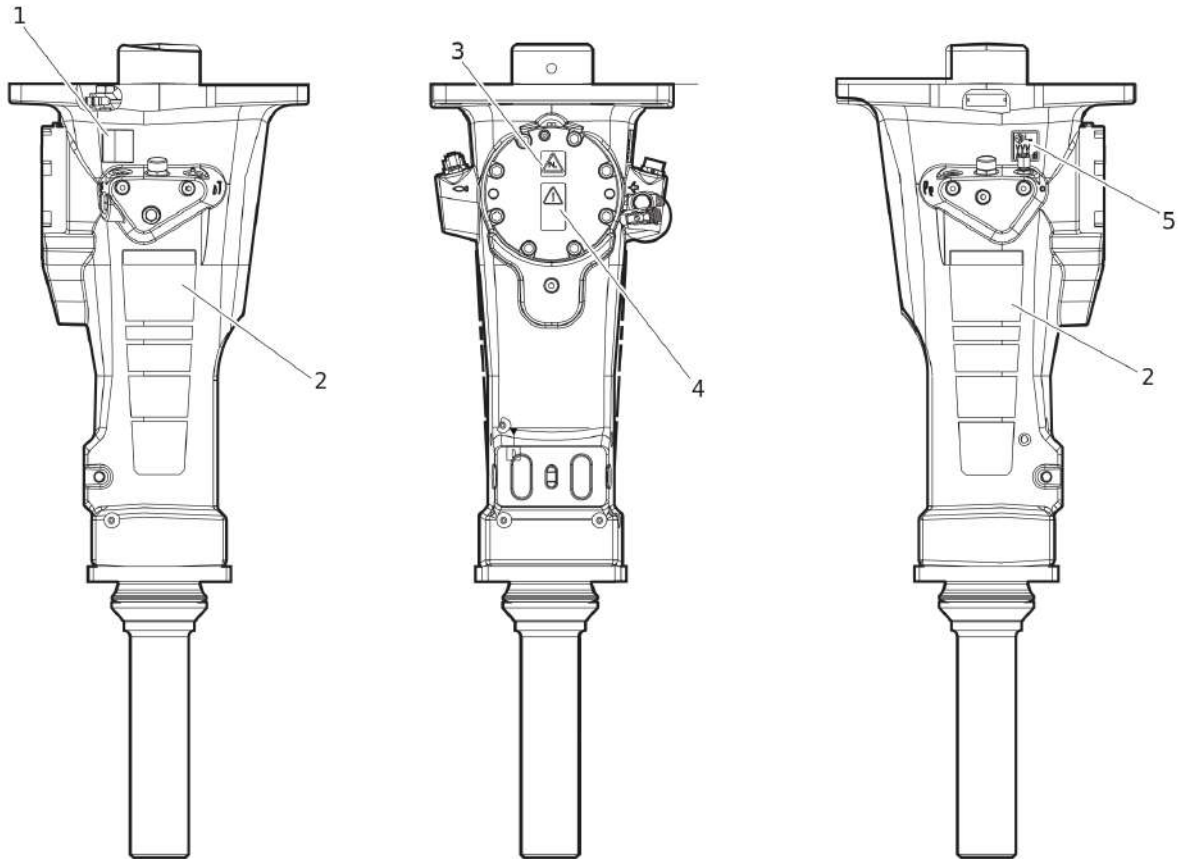
Options and accessories

Hydraulic hoses 22
Optional equipment 25
Working Tools ClassicLine 27

Annex

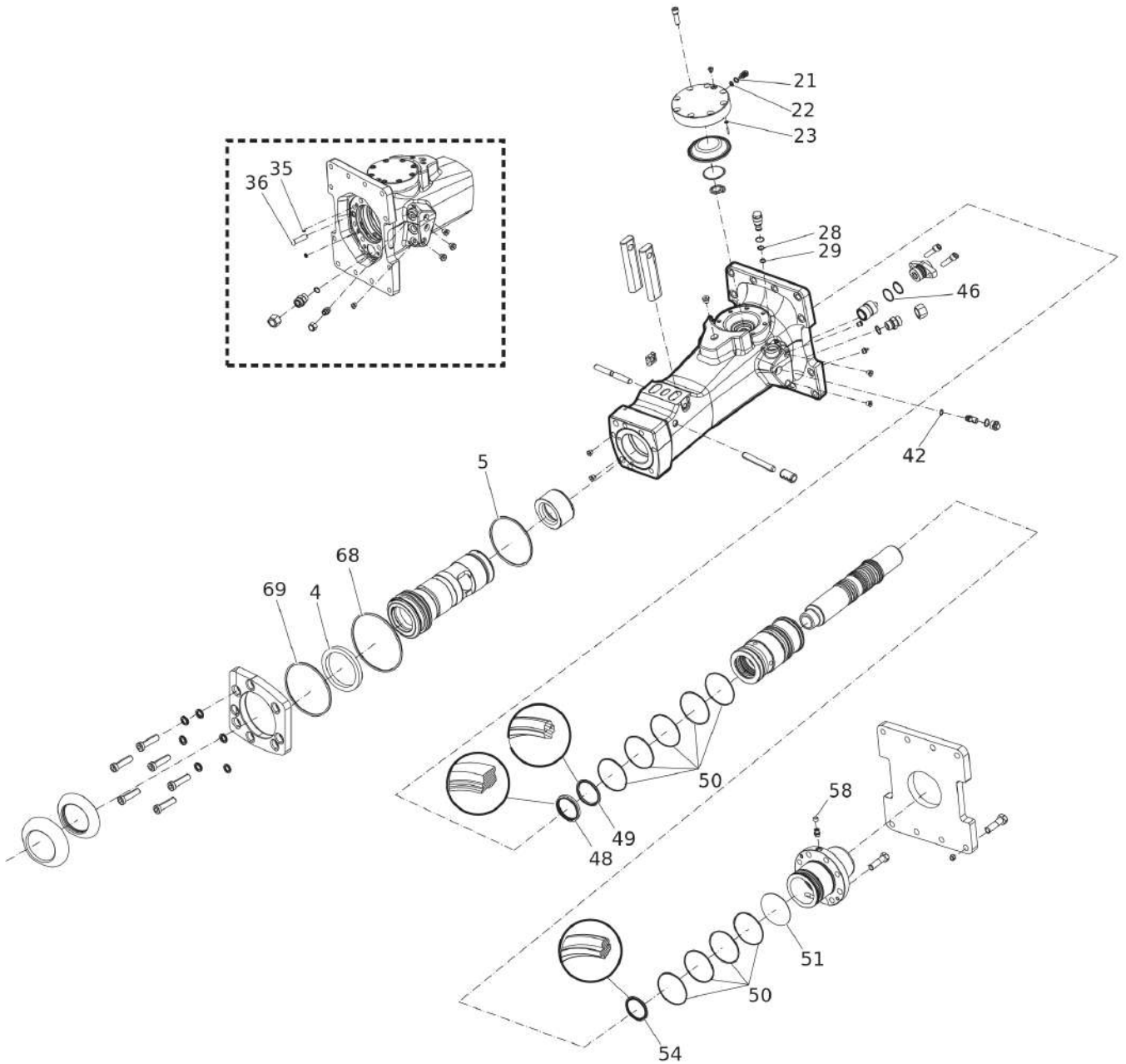
Environmental Product Compliance - REACH Declaration 29

Service, repair and wear part kits Label kit



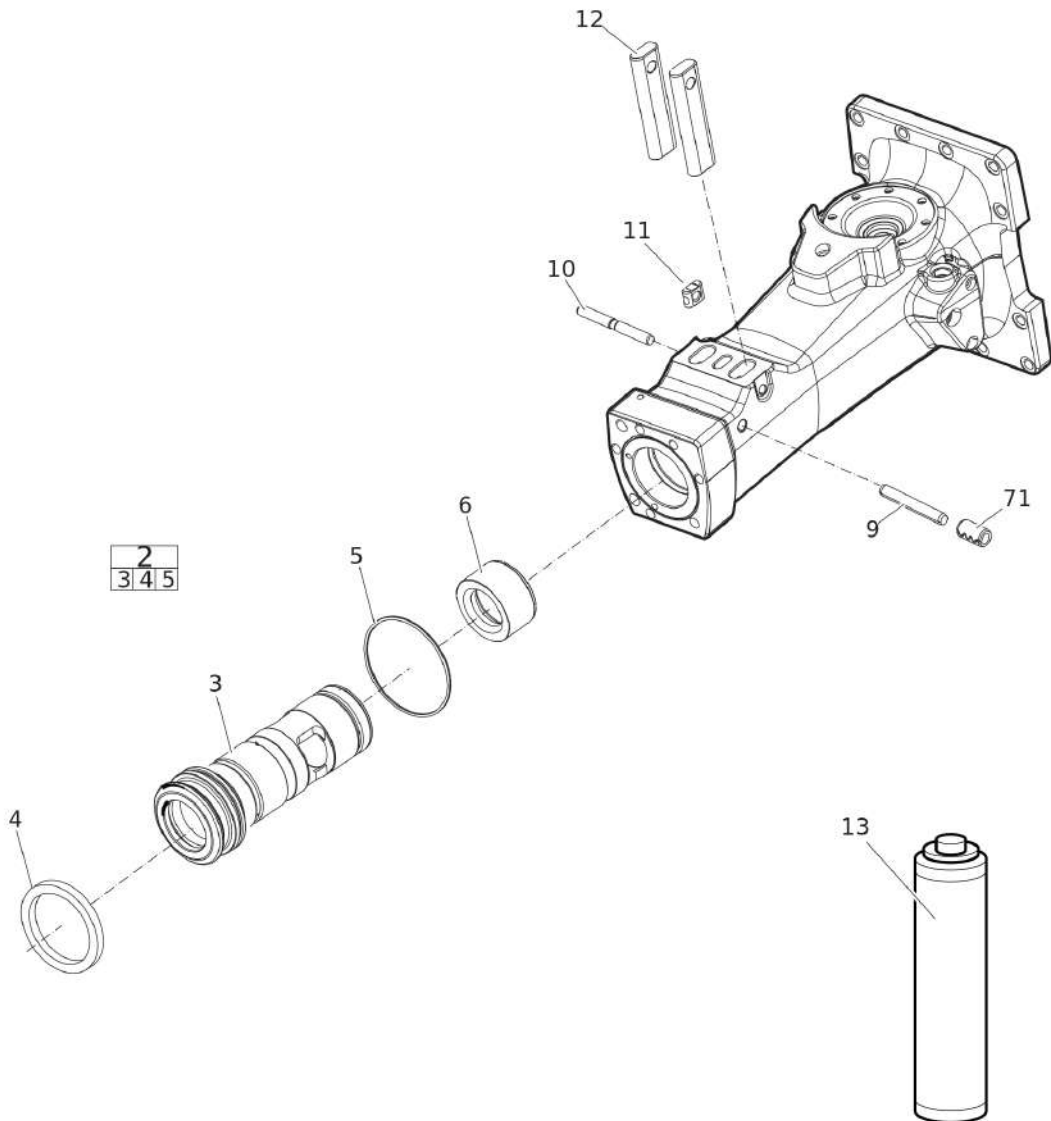
Item	Part No.	Name	Qty	L
KIT	3382070108	LABEL KIT	1	
1		AEM SIGN	1	
2		PRODUCT LABEL	2	
3		SAFETY LABEL	1	
4		SAFETY LABEL	1	
5		SOUND POWER LABEL	1	

Service, repair and wear part kits Seal kit



Item	Part No.	Name	Qty	L
KIT	3382070102	SEAL KIT	1	
4	3315325000	SCRAPER RING	1	
5	0663210617	O-RING	1	
21	0663212000	O-RING	1	
22	3115329002	SEAL RING	1	
23	0663211400	O-RING	1	
28	0663210421	O-RING	1	
29	0661200401	BACK-UP RING	1	
35	0665090014	SEAL RING	2	
36	3315336700	PLUG	1	
42	0663210421	O-RING	1	
46	0663211444	O-RING	2	
48	0665909957	WIPER	1	
49	0665070137	PISTON ROD SEAL	1	
50	0663990031	SEAL RING	9	
51	0663210669	O-RING	1	
54	0665070146	PISTON ROD SEAL	1	
58	3315280800	VALVE RUBBER	1	
68	0663210785	O-RING	1	
69	0663210713	O-RING	1	
-	9125621100	O-RING	2	

Service, repair and wear part kits Lower hammer part kit



Item	Part No.	Name	Qty	L
KIT	3382070104	LOWER HAMMER PART KIT	1	
2	3315434260	BUSHING, complete	1	
3	-	BUSHING	1	
4	3315325000	SCRAPER RING	1	
5	0663210617	O-RING	1	
6	3315301400	STOP RING	1	
9	3315434900	BUSHING PIN	1	
10	3315203110	LOCK PIN	1	
11	3315141900	LOCK BUFFER	1	
12	3315203010	TOOL RETAINER	2	
13		BIO CHISEL PASTE CARTRIDGE, 1 x 400 g (0.88 lbs)	1	
71	0108110322	SPRING PIN	1	

Service, repair and wear part kits Accumulator repair kit

NO EXPLODED VIEW
AVAILABLE
FOR THIS BOM

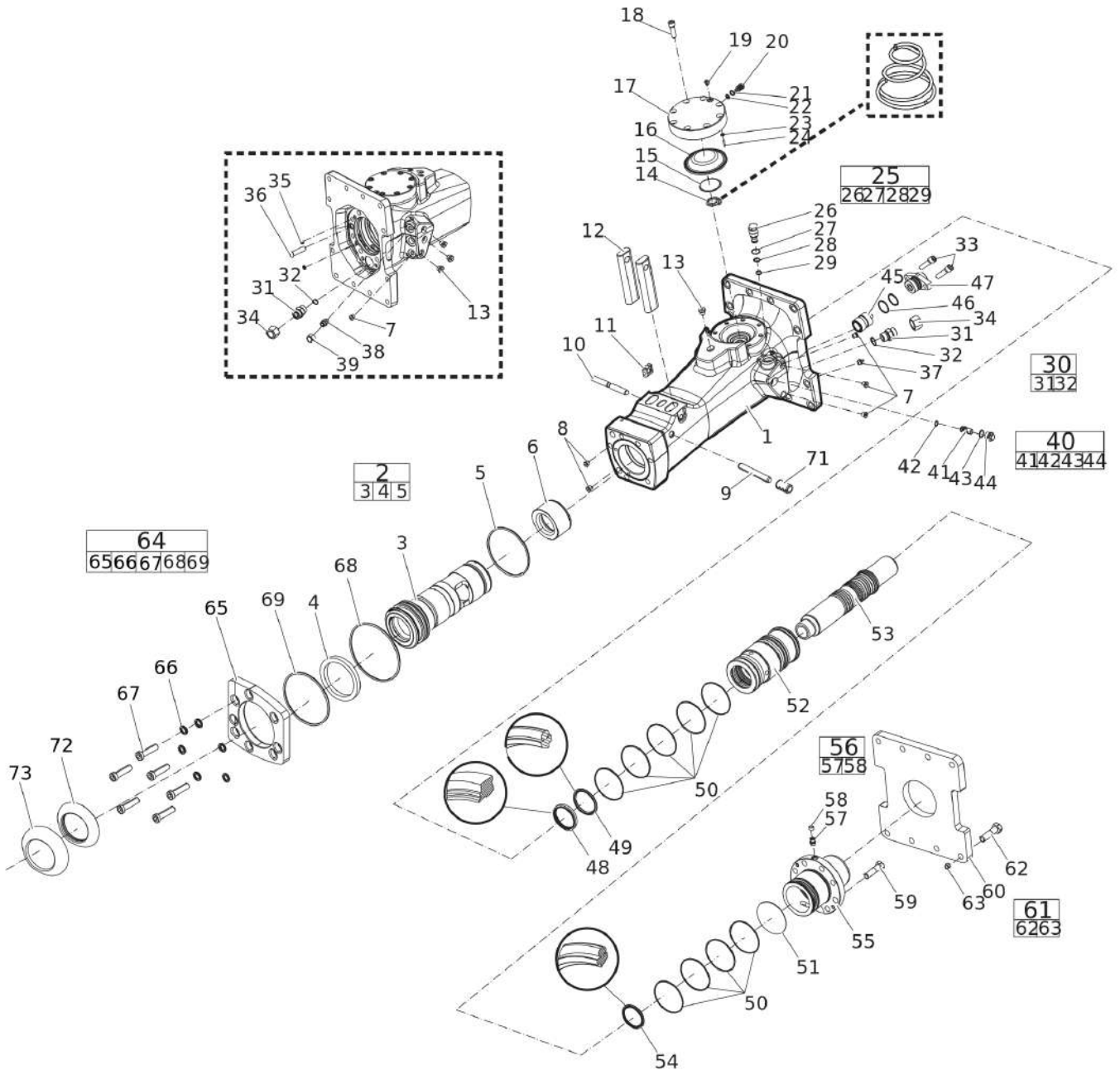
Item	Part No.	Name	Qty	L
1	3315348790	ACCUM.REP.KIT	1	
-	3315303500	COIL SPRING	1	
-	3315400700	DIAPHRAGM SUPPORT	1	
-	3315235000	DIAPHRAGM	1	
-	3115329002	SEAL RING	1	
-	0663212000	O-RING	1	
-	3315366000	VALVE	1	
-	0663211400	O-RING	1	
-	0101414000	PIN	1	
-	0211196534	HEX SOCK. SCREW	8	A
-	0686371805	PLUG	1	

Comments for Page: Accumulator repair kit

(L)OCAL REMARKS

A | Screw with extra high fatigue strength.

Mechanical Spare part list



Refer to the DocMine web page for most up-to-date information. The printed information might be outdated.
Tue Jan 24 13:02:28 UTC 2023

Item	Part No.	Name	Qty	L
1	-	BREAKER BODY	1	
2	3315434260	BUSHING, complete	1	
3	-	BUSHING	1	
4	3315325000	SCRAPER RING	1	
5	0663210617	O-RING	1	
6	3315301400	STOP RING	1	
7	0686644207	PLUG	4	B
8	3315395200	WATER NOSSLE	2	
9	3315434900	BUSHING PIN	1	
10	3315203110	LOCK PIN	1	
11	3315141900	LOCK BUFFER	1	
12	3315203010	TOOL RETAINER	2	
13	0686371801	PLUG	4	C
14	3315303500	COIL SPRING	1	
15	3315400700	DIAPHRAGM SUPPORT	1	
16	3315235000	DIAPHRAGM	1	
17	3315348700	ACCUMULAT.HOUSE	1	
18	0211196534	HEX SOCK. SCREW	8	D
19	0686371805	PLUG	1	E
20	3315366000	VALVE	1	
21	0663212000	O-RING	1	
22	3115329002	SEAL RING	1	
23	0663211400	O-RING	1	
24	0101414000	PIN	1	
25	3315365800	PRESSURE RELIEF VALVE, complete	1	J
26	-	PRESSURE RELIEF VALVE	1	
27	0663212141	O-RING	1	
28	0663210421	O-RING	1	
29	0661200401	BACK-UP RING	1	
30	0580001845	FITTING, complete	1	F
31	-	NIPPLE	1	G
32	0664000004	SEAL RING	1	
33	0211110349	SCREW, M14 x 65 mm (2.56 in.)	2	I
34	3361353486	CAP	2	
35	0665090014	SEAL RING	2	
36	3315336700	PLUG	1	
37	3363070299	GREASE NIPPLE, ISO 7-R 1/4	1	

Refer to the DocMine web page for most up-to-date information. The printed information might be outdated.

Tue Jan 24 13:02:28 UTC 2023

Item	Part No.	Name	Qty	L
38	3176634800	NIPPLE	1	
39	3176542900	CAP	1	
40	3315369467	RESTRICTOR, complete	1	H
41		RESTRICTOR, Ø 6.7 mm (Ø 0.26 in.)	1	
42	0663210421	O-RING	1	
43	0663212141	O-RING	1	
44	3315369200	RESTRICTOR PLUG	1	
45	3315277600	CONTROL VALVE	1	
46	0663211444	O-RING	2	
47	3315352013	VALVE COVER	1	
48	0665909957	WIPER	1	
49	0665070137	PISTON ROD SEAL	1	
50	0663990031	SEAL RING	9	
51	0663210669	O-RING	1	
52	3315301700	LINER	1	
53	3315302110	PISTON	1	
54	0665070146	PISTON ROD SEAL	1	
55	3315302000	BACK HEAD	1	
56	3315244881	CHECK VALVE, complete	1	
57	-	CHECK VALVE	1	
58	3315280800	VALVE RUBBER	1	
59	3315431201	HEXAGON BOLT	8	
60	3315356600	BASE PLATE	1	
61	3315365360	SCREW SET	1	
62	-	SCREW	8	
63	-	NUT, M16	8	
64	3382070107	WEAR PLATE, complete	1	
65		WEAR PLATE	1	
66	0333520027	LOCK WASHER	6	
67	0215001042	HEXAGON SOCKET SCREW	6	
68	0663210785	O-RING	1	
69	0663210713	O-RING	1	
70	3315434900	BUSHING PIN	1	
71	0108110322	SPRING PIN	1	
72	3315239700	DUST COVER	1	
73	3315264100	FRONT SHIELD	1	

Refer to the DocMine web page for most up-to-date information. The printed information might be outdated.

Tue Jan 24 13:02:28 UTC 2023

Comments for Page: Spare part list

(L)OCAL REMARKS

A | For oversize bushings, see section "Bushing oversize, complete".

B | VSTI R 1/4 - ED

C | VSTI R 3/8 - ED

D | Screw with extra high fatigue strength.

E | VSTI R 1/8 - ED

F | There are two "Nipple, complete" on the machine.

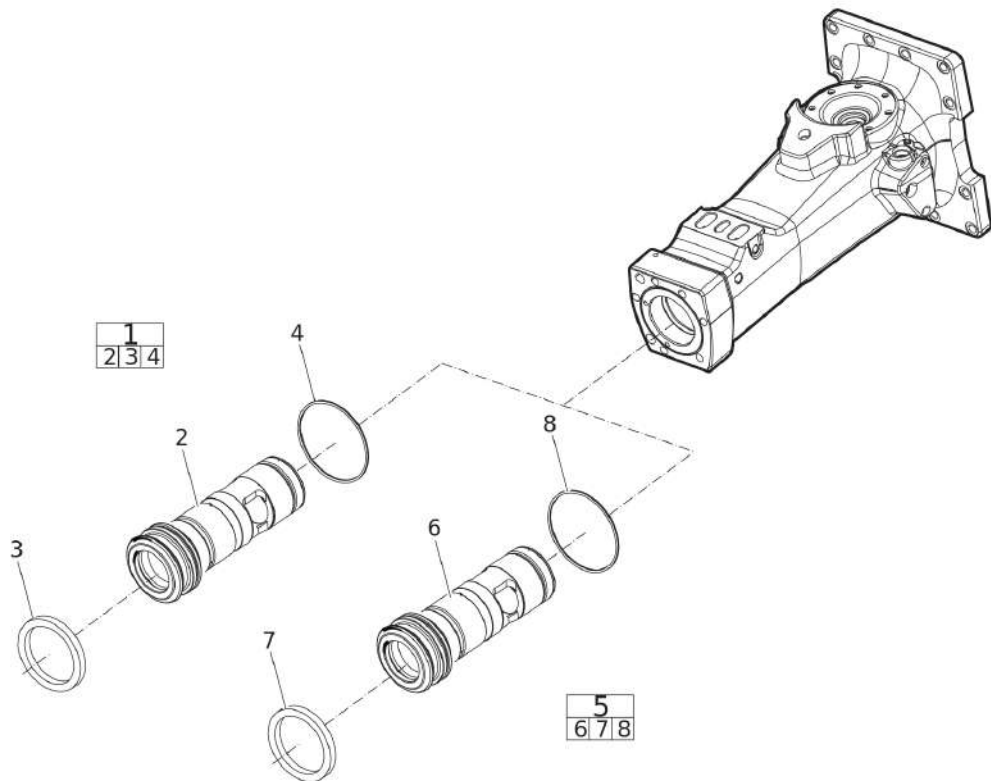
G | 1 3/16 - 12UN G 3/4 A

H | For more restrictors, see section "Restrictor, complete".

I | Screw with extra high fatigue strength.

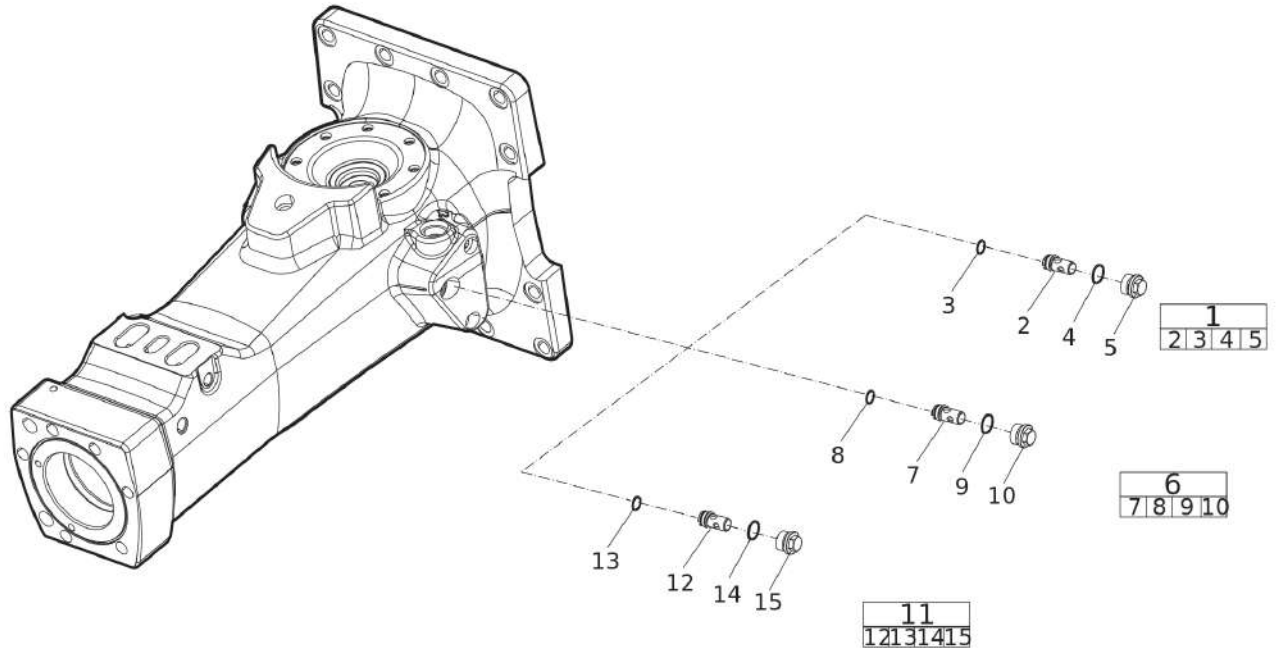
J | CAS No. see chapter "Environmental Product Compliance - REACH Declaration"

Mechanical Optional parts - Bushing oversize, complete



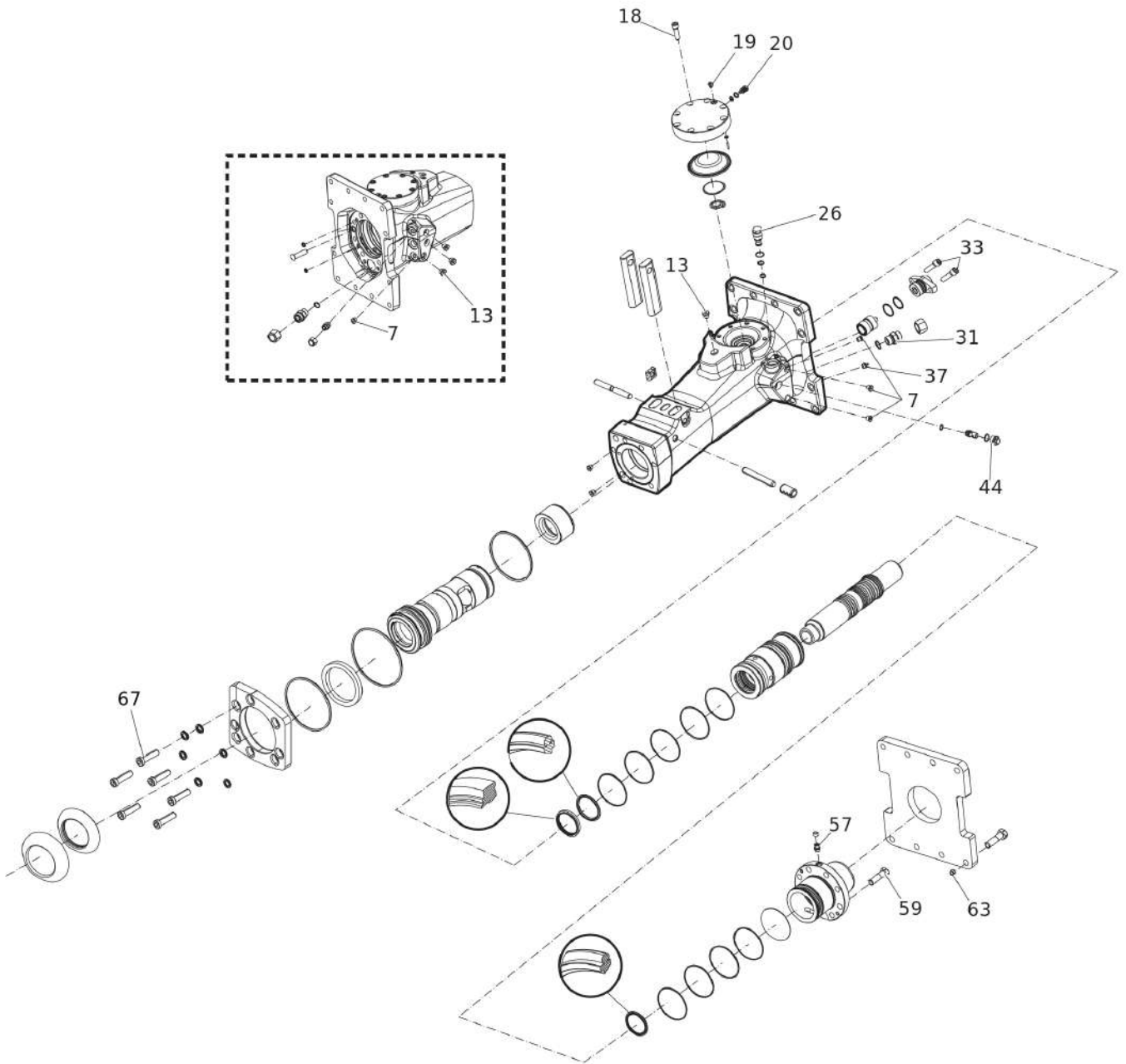
Item	Part No.	Name	Qty	L
1	3315434261	BUSHING, complete	1	
2	-	BUSHING, Ø 111.5 mm (Ø 4.39 in.)	1	
3	3315325000	SCRAPER RING	1	
4	0663210617	O-RING	1	
5	3315434262	BUSHING, complete	1	
6	-	BUSHING, Ø 113 mm (Ø 4.4 in.)	1	
7	0663210617	O-RING	1	
8	3315325000	SCRAPER RING	1	

Mechanical Optional parts - Restrictor, complete



Item	Part No.	Name	Qty	L
1	3315369454	RESTRICTOR, complete	1	
2	-	RESTRICTOR, Ø 5.4 mm (Ø 0.21 in.)	1	
3	0663210421	O-RING	1	
4	0663212141	O-RING	1	
5	3315369200	RESTRICTOR PLUG	1	
6	3315369460	RESTRICTOR, complete	1	
7	-	RESTRICTOR, Ø 6.0 mm (Ø 0.24 in.)	1	
8	0663210421	O-RING	1	
9	0663212141	O-RING	1	
10	3315369200	RESTRICTOR PLUG	1	
11	3315369464	RESTRICTOR, complete	1	
12	-	RESTRICTOR, Ø 6.4 mm (Ø 0.25 in.)	1	
13	0663210421	O-RING	1	
14	0663212141	O-RING	1	
15	3315369200	RESTRICTOR PLUG	1	

Mechanical Tightening torque



Item	Part No.	Name	Qty	L
7	-	PLUG - 30 Nm (22 ft lbf)	-	A
13	-	PLUG - 80 Nm (59 ft lbf)	-	A
18	-	HEX SOCK. SCREW - 120 Nm (89 ft lbf)	-	B
19	-	PLUG - 20 Nm (15 ft lbf)	-	
20	-	VALVE - 27 Nm (20 ft lbf)	-	
26	-	PRESSURE RELIEF VALVE - 60 Nm (44 ft lbf)	-	
31	-	FITTING - 120 Nm (89 ft lbf)	-	
33	-	HEXAGON HEAD SCREW - 180 Nm (133 ft lbf)	-	
37	-	GREASE NIPPLE - 30 Nm (22 ft lbf)	-	
44	-	RESTRICTOR PLUG - 80 Nm (59 ft lbf)	-	
57	-	CHECK VALVE - 30 Nm (22 ft lbf)	-	A
59	-	HEXAGON HEAD SCREW - 180 Nm (133 ft lbf)	-	B
63	-	NUT - 200 Nm (148 ft lbf)	-	B
67	-	HEXAGON HEAD SCREW - 240 Nm (177 ft lbf)	-	

Comments for Page: Tightening torque

LOCTITE is a registered trademark of Henkel Corporation. 243 is a trademark of Henkel Corporation.

Molykote is a registered trademark of Dow Corning Corporation.

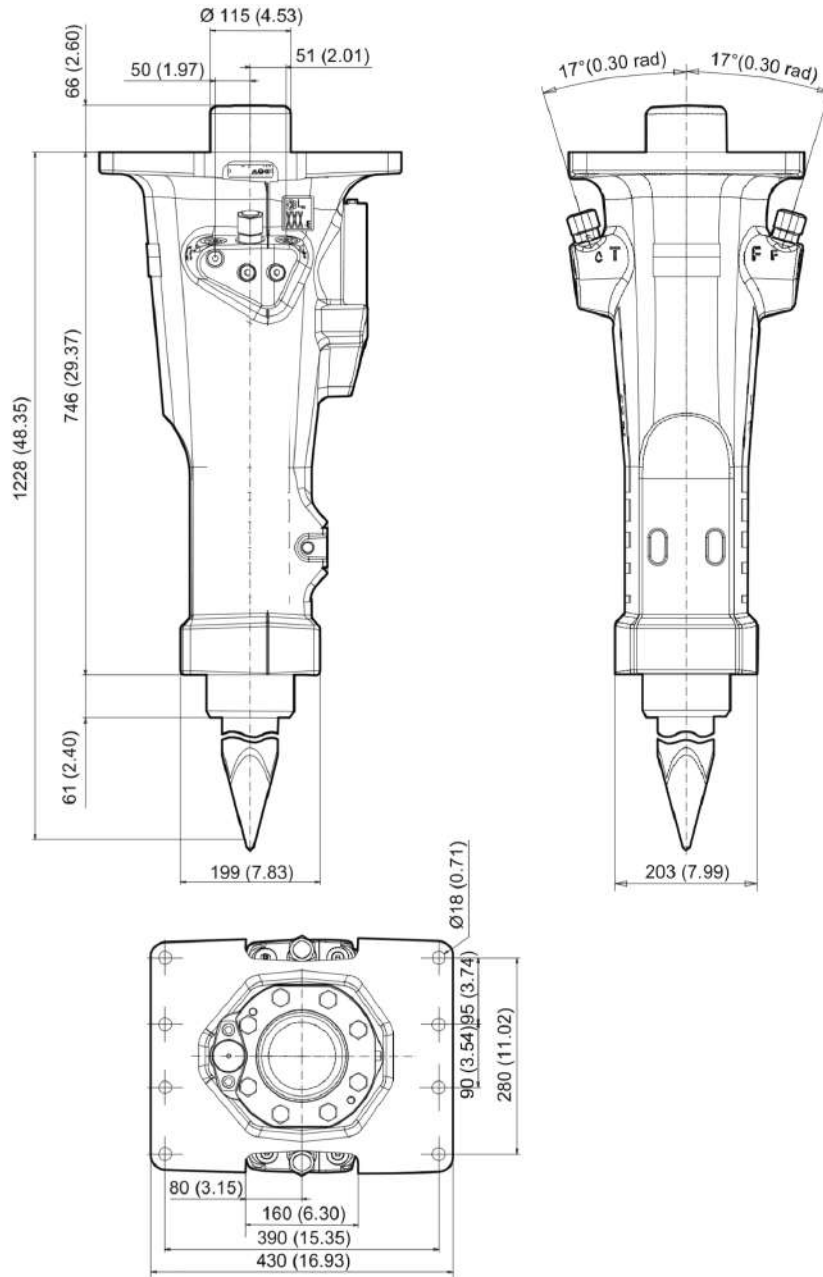
(L)OCAL REMARKS

A | LOCTITE® 243™

B | Molykote®

Mechanical Dimensions (mm)

Dimensions Dimensions (mm)

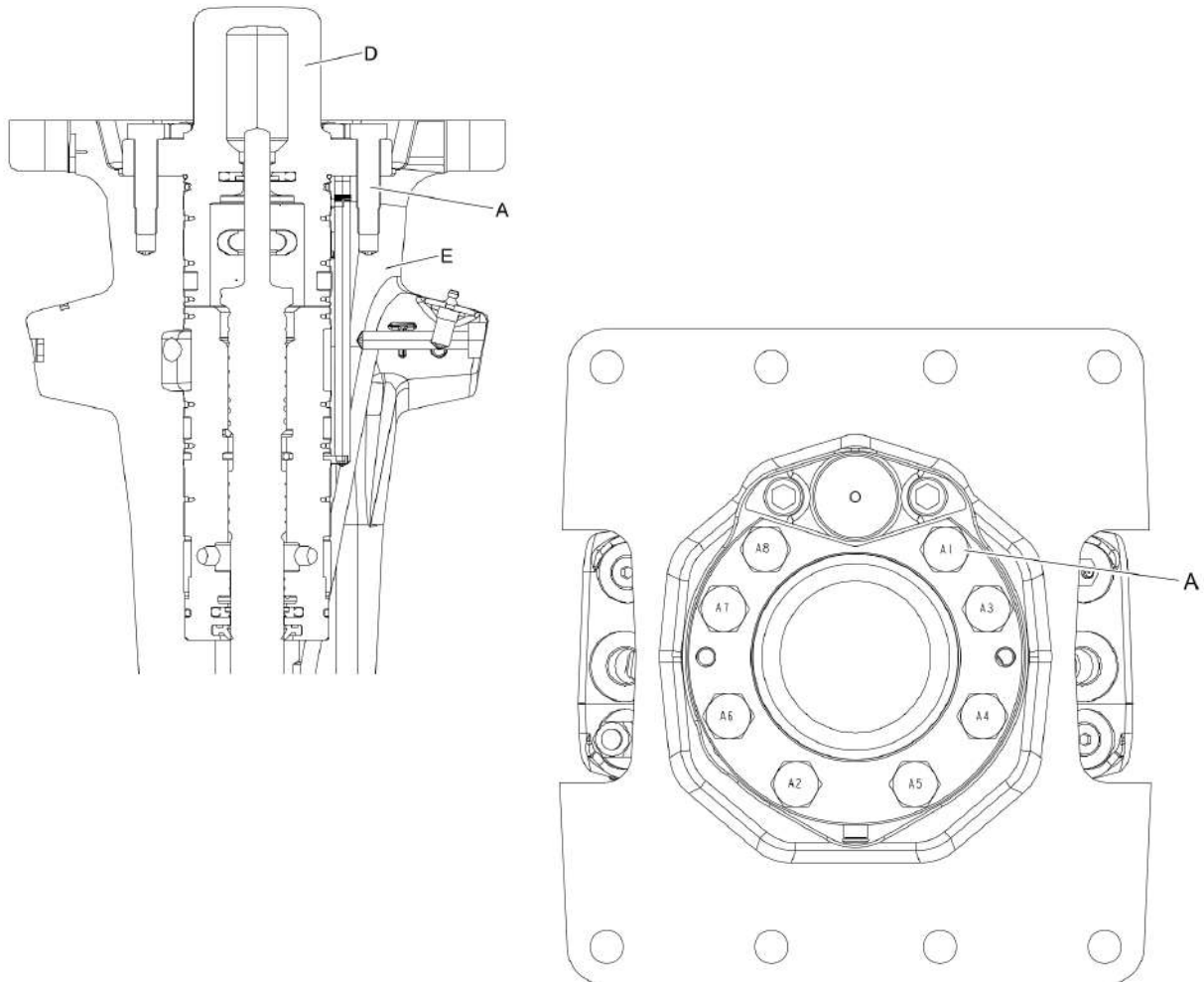


Refer to the DocMine web page for most up-to-date information. The printed information might be outdated.

Tue Jan 24 13:02:31 UTC 2023

This page intentionally left blank

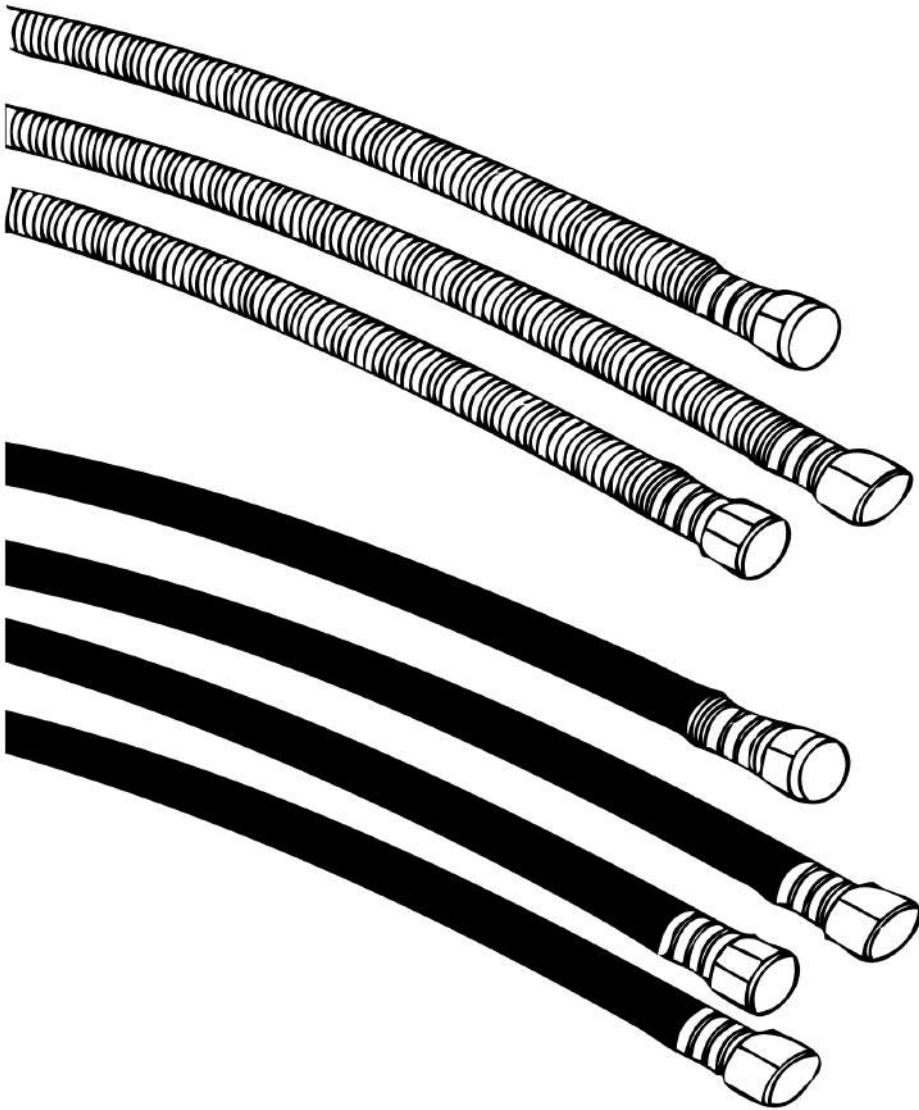
Mechanical Assembly instruction



1. Press the back head (D) down on the hammer body(E).
2. Grease the screws (A) with Molykote® 1000 (Molykote is a registered trademark of Dow Corning Corporation), and manually fit them on the back head (D)
3. Torque the screws (A) in the order from A1 to A8.

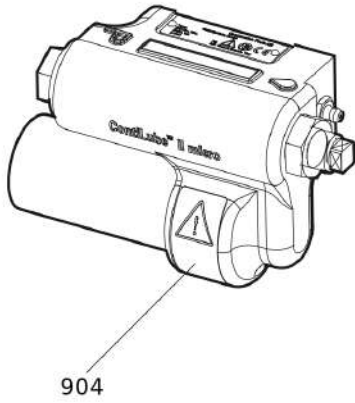
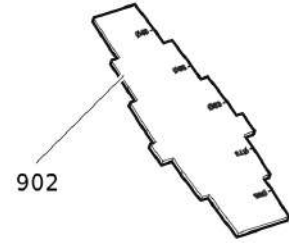
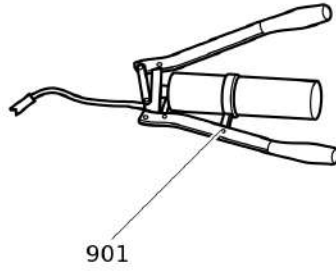
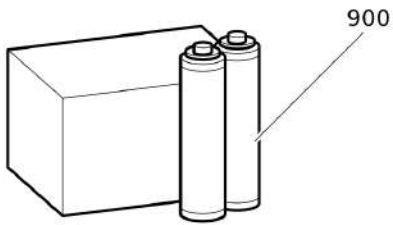
This page intentionally left blank

Options and accessories Hydraulic hoses



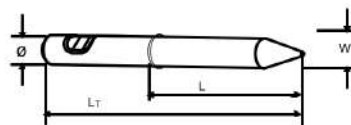
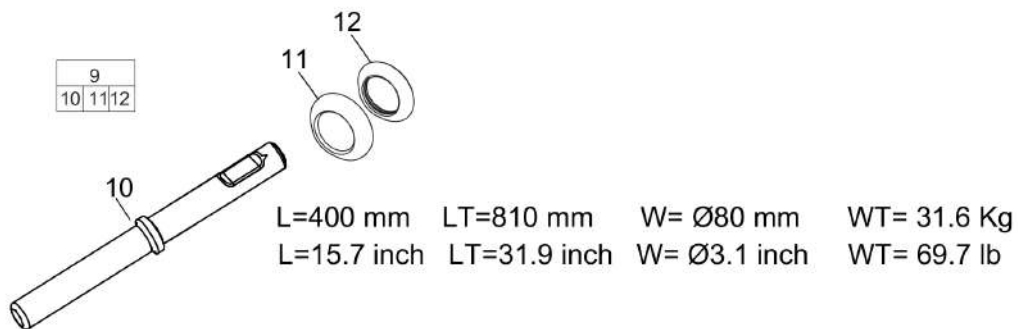
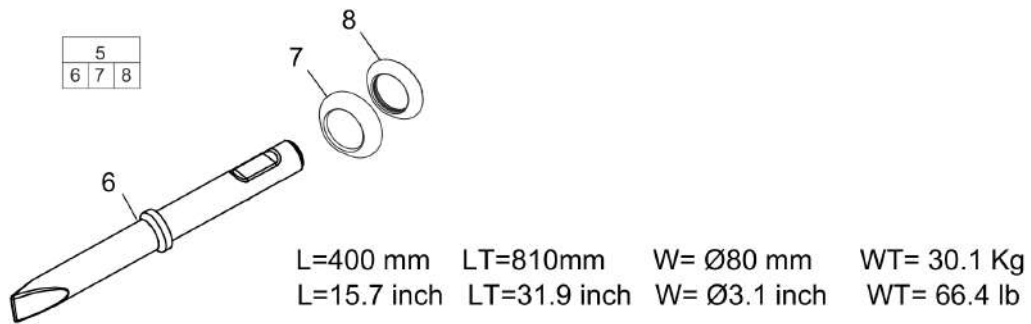
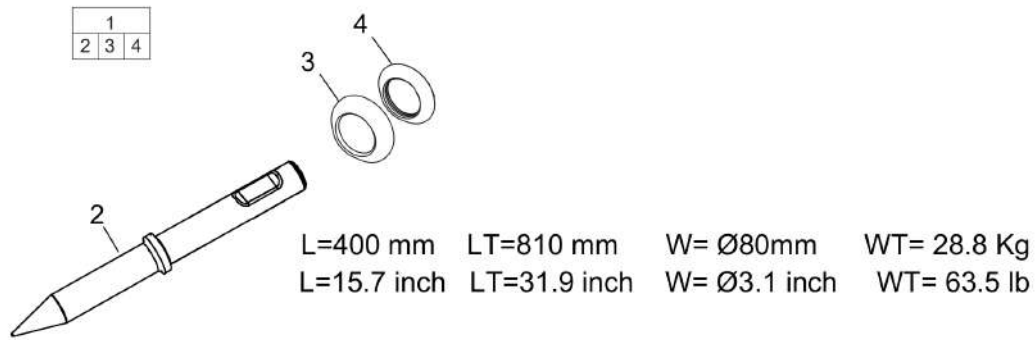
Item	Part No.	Name	Qty	L
-	3360995717	HYDRAULIC HOSE, both ends 18 L (M26 x 1.5) length 1500 mm (59 in.)	2	
-	3362235159	HYDRAULIC HOSE, both ends 18 L (M26 x 1.5) length 2000 mm (79 in.)	2	
-	3363083313	HYDRAULIC HOSE, both ends 18 L (M26 x 1.5) length 2400 mm (95 in.)	2	
-	3363098019	ADDITIONAL FITTING KIT	1	

Options and accessories Optional equipment



Item	Part No.	Name	Qty	L
900	3363122354	BIO CHISEL PASTE, 20 x 150 g (0.33 lbs)	1	A
900	3363122355	BIO CHISEL PASTE CARTRIDGE FOR GREASE GUN, 12 x 400 g (0.88 lbs)	1	
-	3363122357	BIO CHISEL PASTE CONTAINER 15 kg (33 lbs)	1	
-	3363122358	BIO CHISEL PASTE CONTAINER 45 kg (99 lbs)	1	
901	0909107100	LUBRICAT.GUN	1	
902	3315353100	BUSHING WEAR CONTROLLER	1	
904	3315383190	CONTILUBE II MICRO	1	
905	3363094459	NIPPLE, for charging the accumulator	1	
-	3360920415	FILLING DEVICE, for accumulator	1	
-	3361329803	FILLING HOSE, for charging the accumulator	1	

Options and accessories Working Tools ClassicLine



Item	Part No.	Name	Qty	L
1	3083342704	MOIL POINT Tunnel	1	
2		MOIL POINT	1	
3	3315264100	FRONT SHIELD	1	
4	3315239700	DUST COVER	1	
5	3083342705	CHISEL (cross) Tunnel	1	
6		CHISEL (cross)	1	
7	3315264100	FRONT SHIELD	1	
8	3315239700	DUST COVER	1	
9	3083342706	BLUNT TOOL Tunnel	1	
10		BLUNT TOOL	1	
11	3315264100	FRONT SHIELD	1	
12	3315239700	DUST COVER	1	

Annex Environmental Product Compliance - REACH Declaration

**NO EXPLODED VIEW
AVAILABLE
FOR THIS BOM**

Item	Part No.	Name	Qty	L
25	-	Pressure relief valve, complete, Part No. 3315365800 - CAS No. 7439-92-1	-	

Comments for Page: Environmental Product Compliance - REACH Declaration

EU REACH Candidate List substances present in product listed above.

Any unauthorized use or copying of the contents or any part thereof is prohibited.
This applies in particular to trademarks, model denominations, part numbers, and drawings.