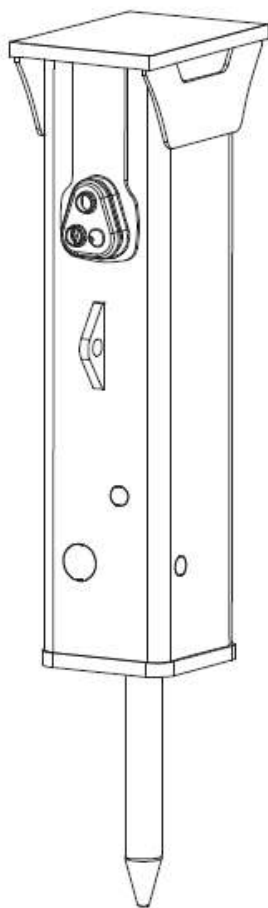


EC 80T

Spare parts list Hydraulic breakers

EC 80T s/n BES095540 –



General information

This spare parts list applies to the following:

Part number	Description
8460050058	EC 80T
8460050087	EC 80T No sticker

Use only authorized parts. Any damage or malfunction caused by the use of unauthorized parts is not covered by Warranty or Product Liability. Any unauthorized use or copying of the contents or any part thereof is prohibited. This applies in particular to trademarks, model denominations, part numbers, and drawings.

Instructions for use

This spare parts list contains no safety regulations and is merely intended to assist in the ordering of spare parts.

For information about operating, servicing, or repairing, the relevant Safety and operating instructions must be consulted at all costs.

Please observe the safety instructions listed in the relevant Safety and operating instructions!

Service, repair and wear part kits

Seal kit 1
Label kit 3

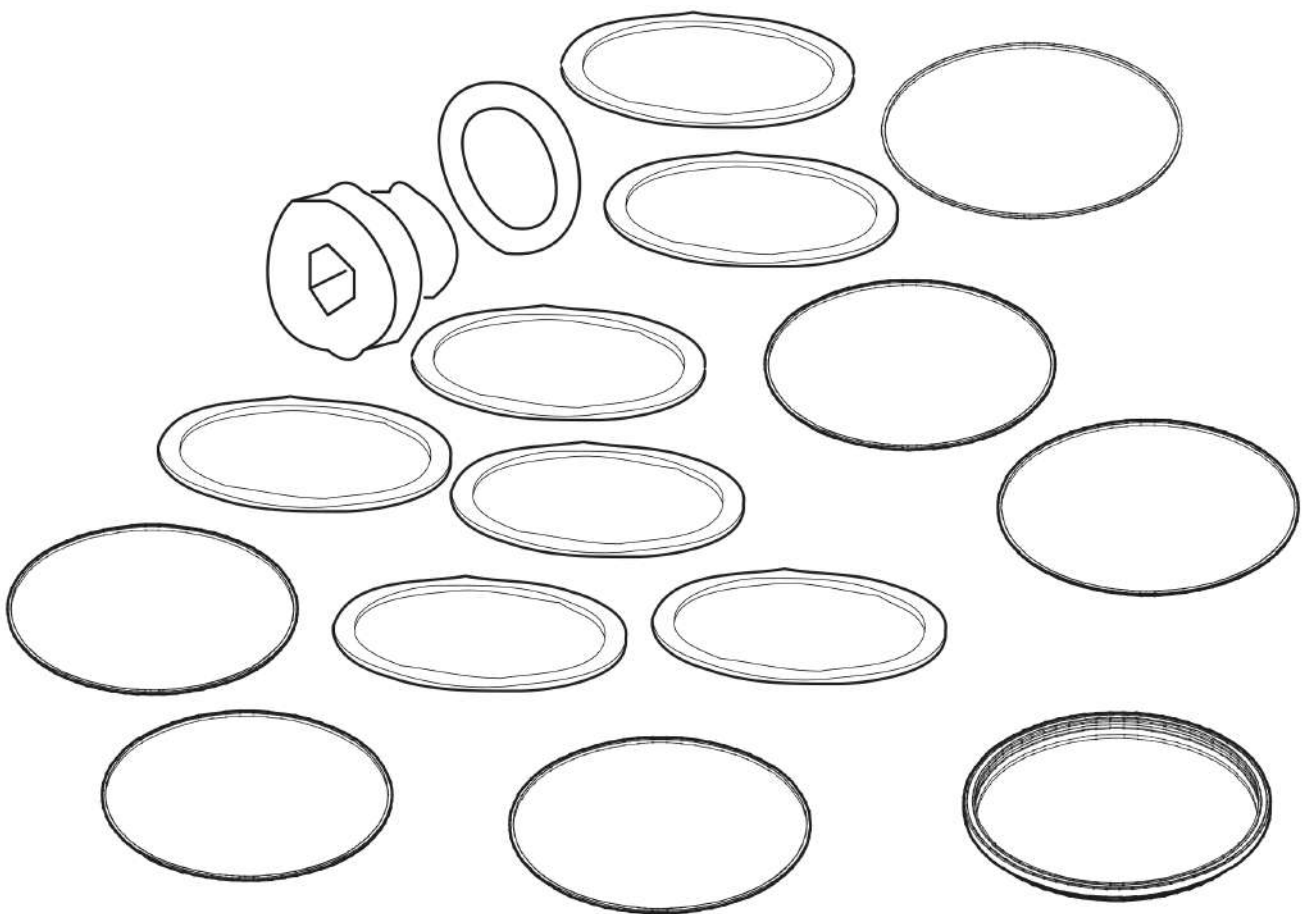
Mechanical

Breaker body (penta box, valid to BES105223) 5
Breaker body (square box, valid from BES105224) 7
Impact mechanism (Generation 1, valid to BES114054) 9
Impact mechanism (Generation 2, valid from BES114055) 11
Tightening torques 13
Main dimensions, mm (in.) 15
Assembly instruction 16

Options/accessories

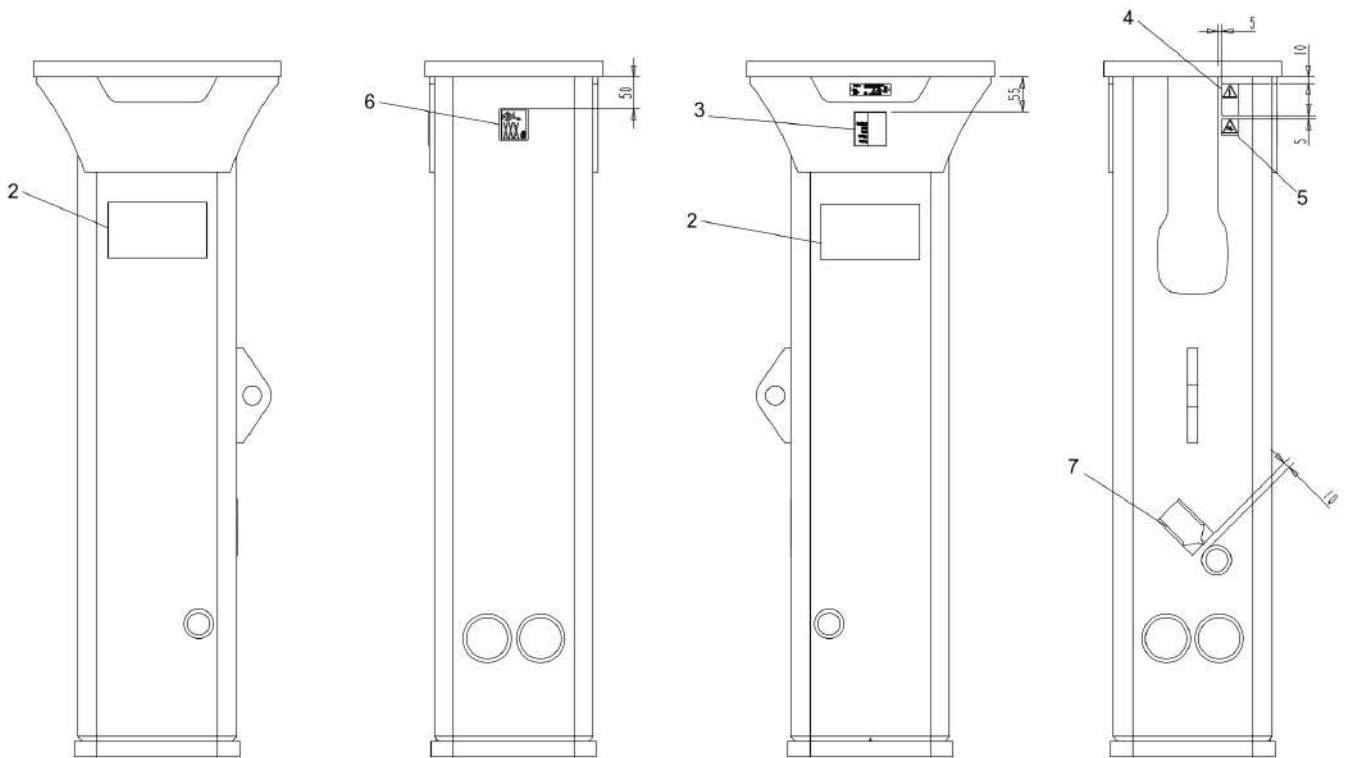
Optional equipment 18
Hydraulic hose 21
Working tools 23

Service, repair and wear part kits Seal kit



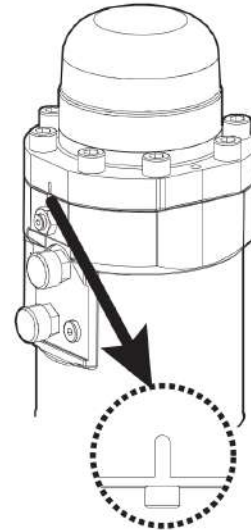
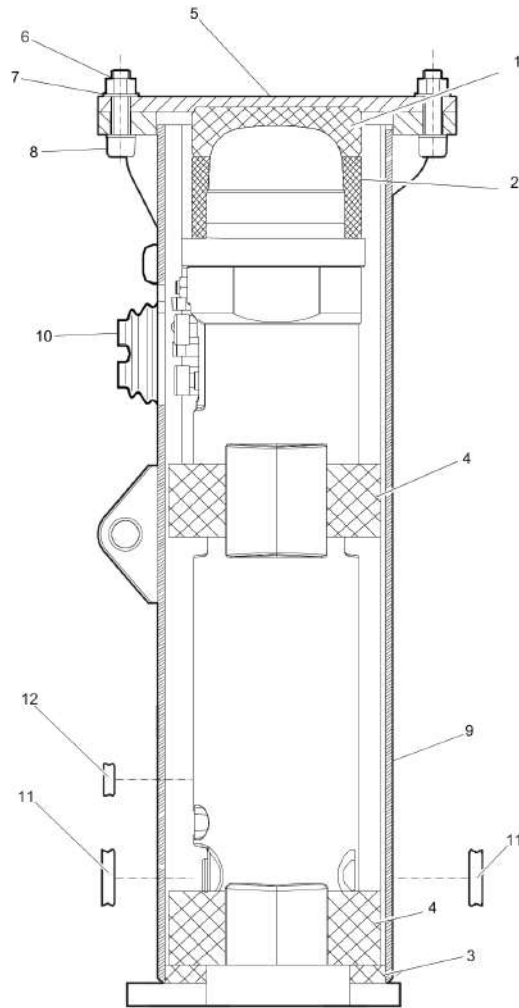
Item	Part No.	Name	Qty	L
-	3382070011	Seal kit	1	
-	0663212005	O-ring, 32 x 5.7 mm NBR 90°IRH	1	
-	0663925100	O-ring, 15.08x2.62	1	
-	3115329002	SEAL RING	1	
-	3315296625	Seal, one piece	1	
-	3360478426	Threaded plug	1	
-	3361192002	Seal	1	
-	3361192003	Seal	2	
-	3361192004	O-ring, 81.92 x 5.33 mm	2	
-	3361192007	O-ring, 132.75 x 5.33 mm	1	
-	0661150127	Back-up ring, ø130.89 mm	1	
-	3361192011	O-ring, 126.37 x 5.33 mm	1	
-	3361192013	Seal, 70 x 85.1 x 6.3 mm	1	
-	3361192014	Step seal	1	
-	3361192015	O-ring, 85.09 x 5.33 mm	1	
-	3361192016	Wiper, 80 x 90 x 6.3 mm	1	
-	3361192067	O-ring	1	
-	3361192066	O-ring, 16.36x2.21	2	

Service, repair and wear part kits Label kit

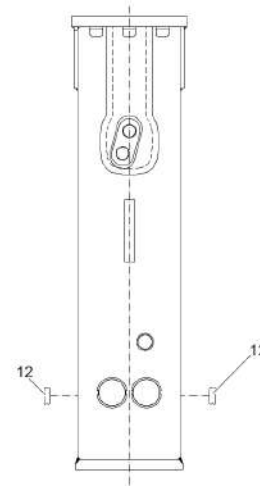


Item	Part No.	Name	Qty	L
1	3382070012	Label kit	1	
2	-	Product label	2	
3	-	AEM sign	1	
4		Safety label	1	
5		Safety label	1	
6	-	Sound power label, 115 dB	1	
7		Label - Lubricating symbol	1	

Mechanical Breaker body (penta box, valid to BES105223)

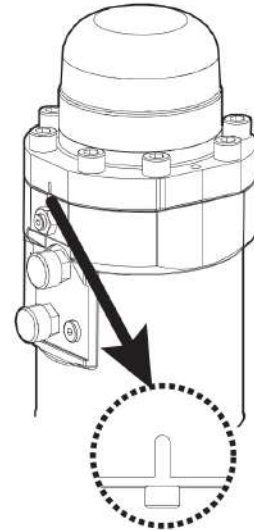
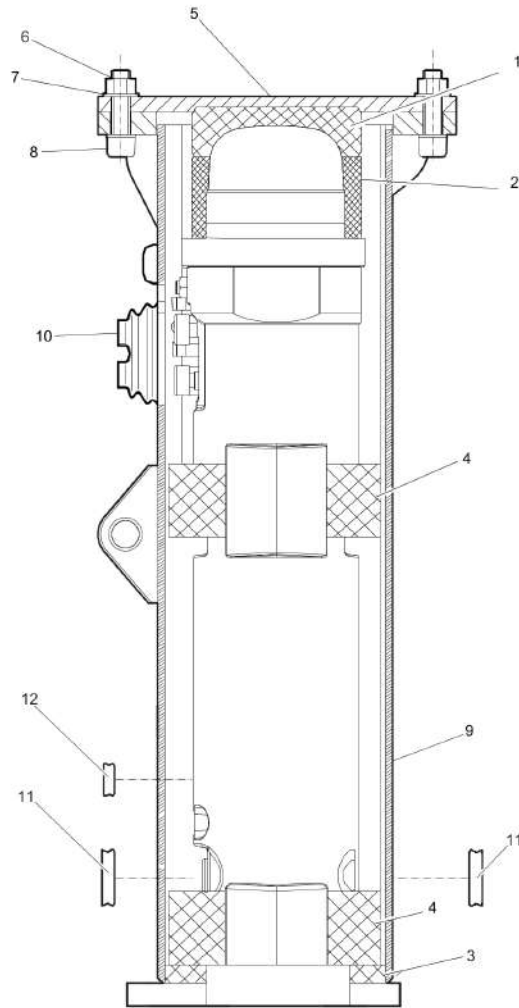


Install the back head onto cylinder housing where the marks meet each other.

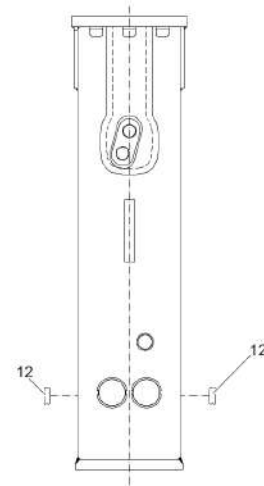


Item	Part No.	Name	Qty	L
1	3315422210	Shock absorber, upper	1	
2	3315422220	Spacer	1	
3	3315290200	Shock absorber	1	
4	3315425400	Lower guide	2	
5	-	Base plate, see "Optional equipment"	1	
6	3360103251	Nut	6	
7	3361850748	Pair of lock washers	12	
8	0211155703	HEX SOCK SCREW	6	
9	3315289400	Breaker box	1	
10	3362491006	Cover	1	
11	3362491003	Plug	4	
12	3362491004	Plug	3	

Mechanical Breaker body (square box, valid from BES105224)

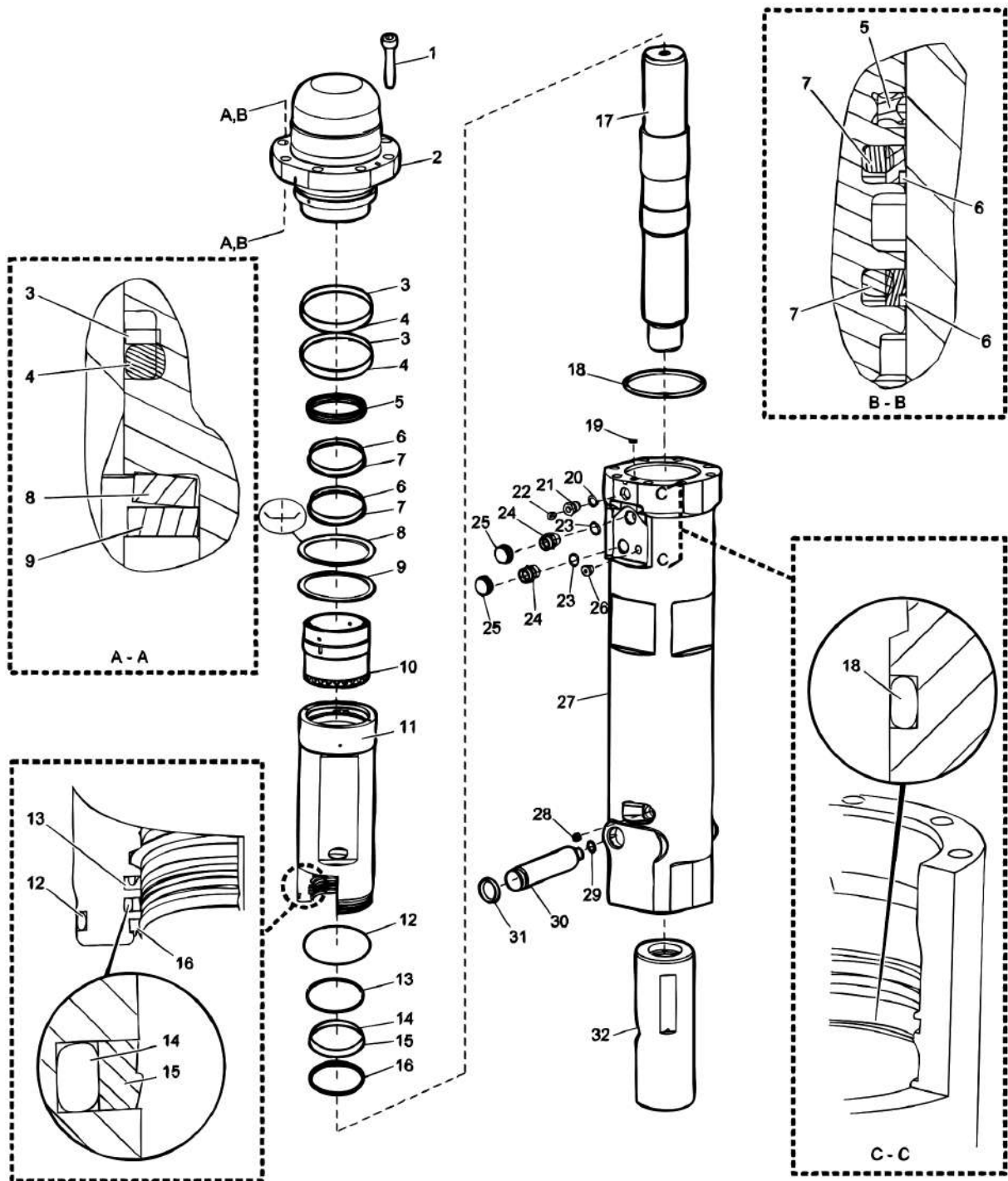


Install the back head onto cylinder housing where the marks meet each other.



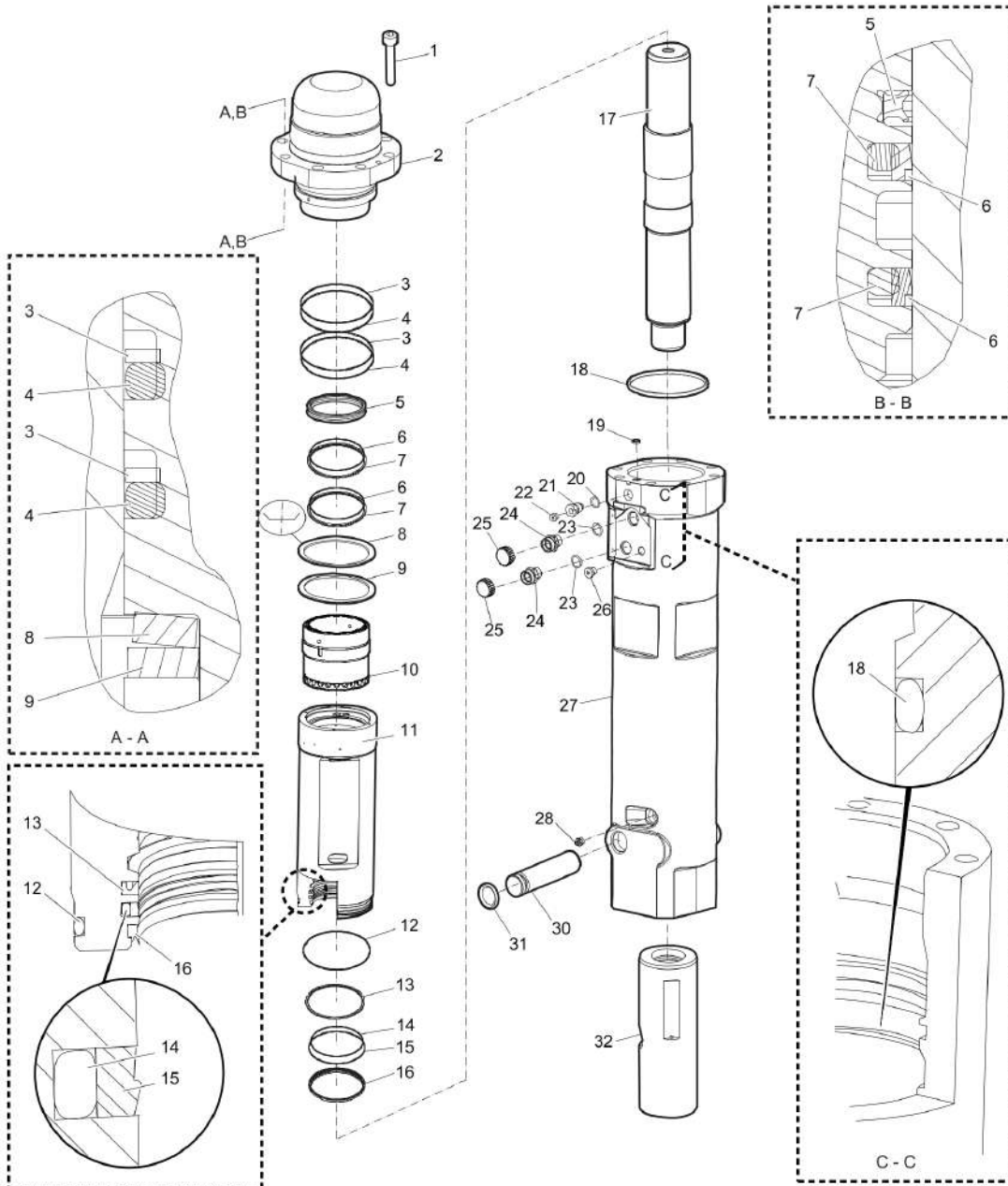
Item	Part No.	Name	Qty	L
1	3315422210	Shock absorber, upper	1	
2	3315422220	Spacer	1	
3	3362450001	Shock absorber	1	
4	3315406717	Lower guide	2	
5	-	Base plate, see "Optional equipment"	1	
6	3360103251	Nut	6	
7	3361850748	Pair of lock washers	12	
8	0211155703	HEX SOCK SCREW	6	
9	3362150002	Breaker box	1	
10	3362491006	Cover	1	
11	3362491003	Plug	4	
12	3362491004	Plug	3	

Mechanical Impact mechanism (Generation 1, valid to BES114054))



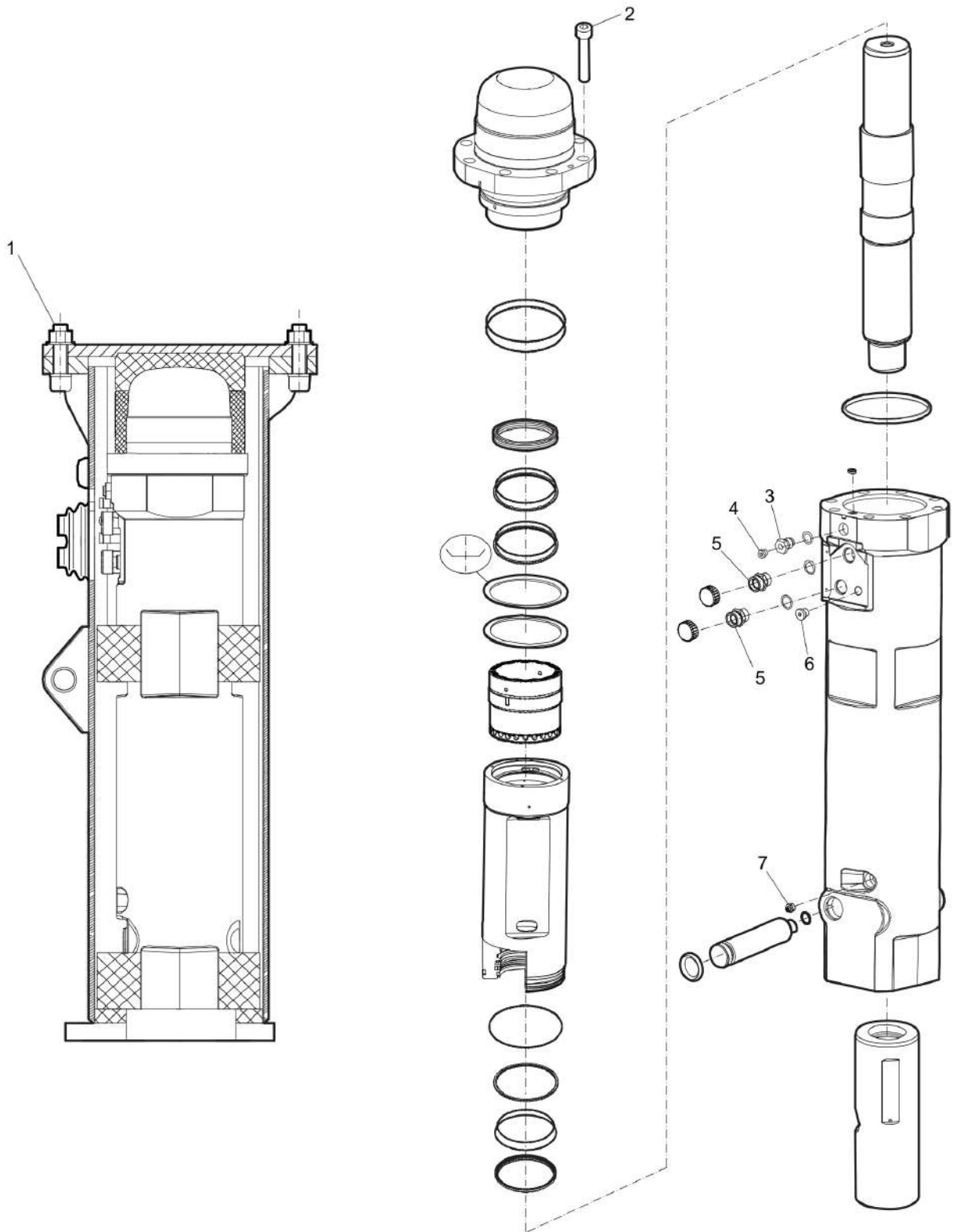
Item	Part No.	Name	Qty	L
1	0211148303	SCREW	8	
2	3315411000	Back head	1	
3	0661150127	Back-up ring, \varnothing 130.89 mm	2	
4	3361192007	O-ring, 132.75 x 5.33 mm	2	
5	3361192002	Seal	1	
6	3361192003	Seal	2	
7	3361192004	O-ring, 81.92 x 5.33 mm	2	
8	3361150004	Plate spring	1	
9	3361150005	Spacer	1	
10	3361150106	Control valve	1	
11	3361150002	Cylinder bush	1	
12	3361192011	O-ring, 126.37 x 5.33 mm	1	
13	3361192013	Seal, 70 x 85.1 x 6.3 mm	1	
14	3361192015	O-ring, 85.09 x 5.33 mm	1	
15	3361192014	Step seal	1	
16	3361192016	Wiper, 80 x 90 x 6.3 mm	1	
17	3315332800	Piston	1	
18	3315296625	Seal, one piece	1	
19	3115329002	SEAL RING	1	
20	0663925100	O-ring, 15.08x2.62	1	
21	3363087286	Filling valve complete	1	
22	3360478426	Threaded plug	1	
23	3361192067	O-ring	2	
24	3361031476	Nipple	2	
25	3361353486	Cap	2	
26	3363066963	Plug, M14 x 1.5 mm	1	
27	3315408000	Housing	1	
28	0544215300	GREASE NIPPLE	1	
29	3361192066	O-ring, 16.36x2.21	1	
30	3315418100	Retainer	1	
31	0663212005	O-ring, 32 x 5.7 mm NBR 90°IRH	1	
32	3361150012	Wear bush	1	

Mechanical Impact mechanism (Generation 2, valid from BES114055)



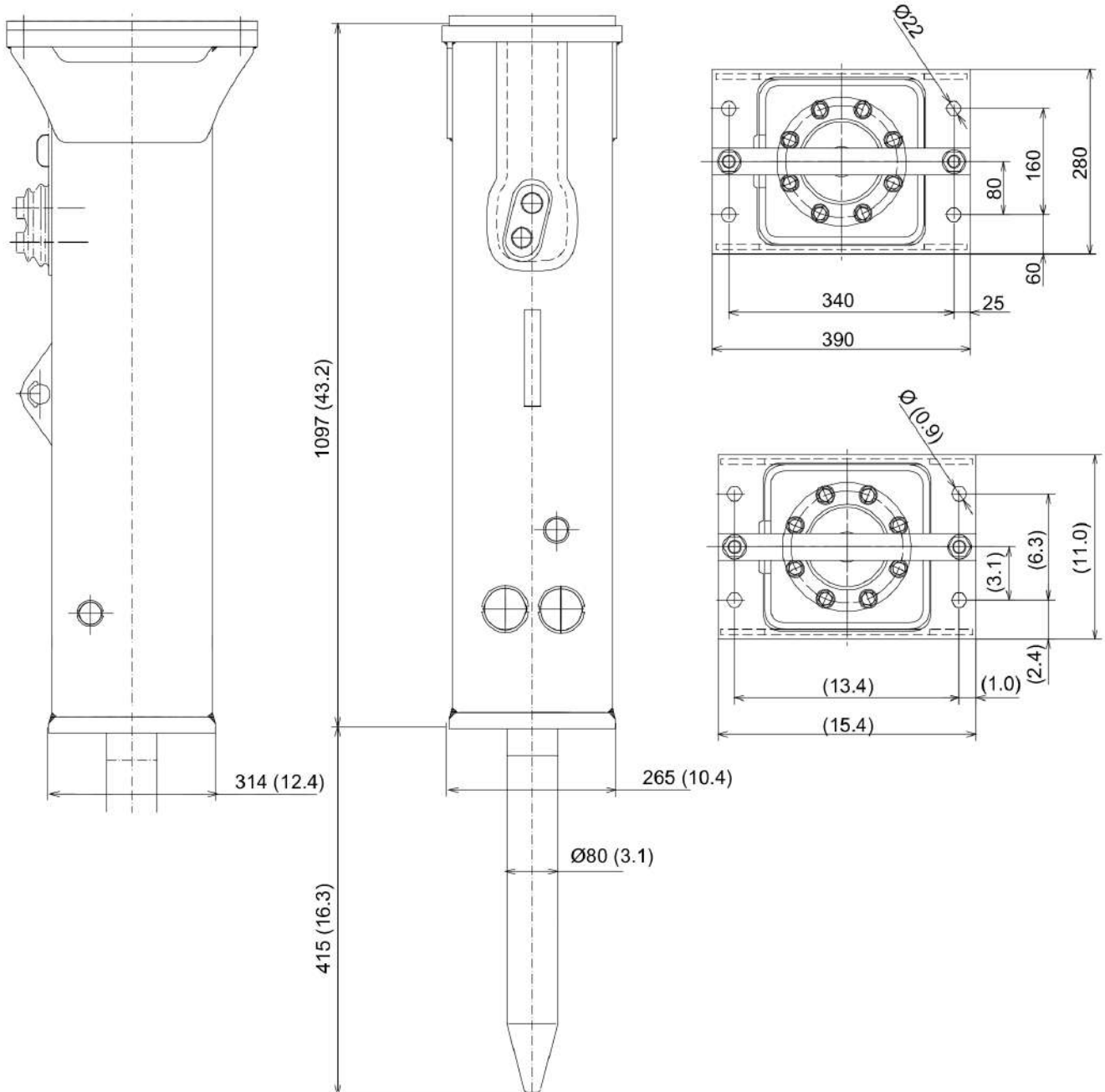
Item	Part No.	Name	Qty	L
1	0211148303	SCREW	8	
2	3315411000	Back head	1	
3	0661150127	Back-up ring, \varnothing 130.89 mm	2	
4	3361192007	O-ring, 132.75 x 5.33 mm	2	
5	3361192002	Seal	1	
6	3361192003	Seal	2	
7	3361192004	O-ring, 81.92 x 5.33 mm	2	
8	3361150004	Plate spring	1	
9	3361150005	Spacer	1	
10	3361150106	Control valve	1	
11	3361150002	Cylinder bush	1	
12	3361192011	O-ring, 126.37 x 5.33 mm	1	
13	3361192013	Seal, 70 x 85.1 x 6.3 mm	1	
14	3361192015	O-ring, 85.09 x 5.33 mm	1	
15	3361192014	Step seal	1	
16	3361192016	Wiper, 80 x 90 x 6.3 mm	1	
17	3315332800	Piston	1	
18	3315296625	Seal, one piece	1	
19	3115329002	SEAL RING	1	
20	0663925100	O-ring, 15.08x2.62	1	
21	3363087286	Filling valve complete	1	
22	3360478426	Threaded plug	1	
23	3361192067	O-ring	2	
24	3361031476	Nipple	2	
25	3361353486	Cap	2	
26	3363066963	Plug, M14 x 1.5 mm	1	
27	3315408005	Housing	1	
28	0544215300	GREASE NIPPLE	1	
30	3315418110	Retainer	1	
31	0663212005	O-ring, 32 x 5.7 mm NBR 90°IRH	1	
32	3361150012	Wear bush	1	

Mechanical Tightening torques



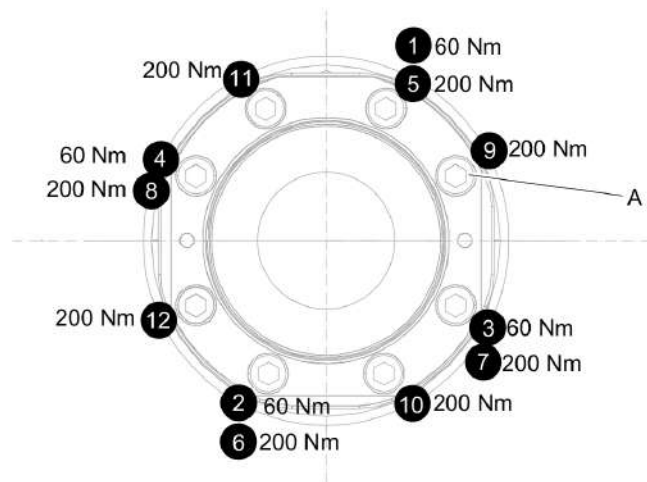
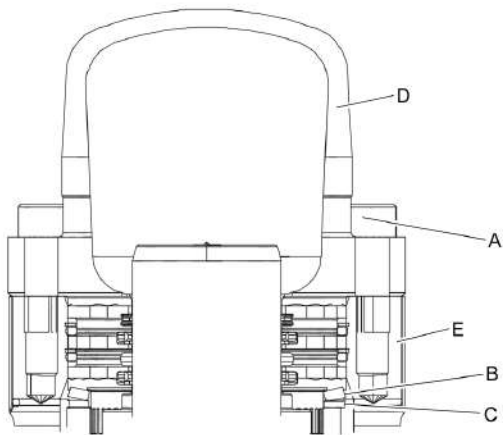
Item	Part No.	Name	Qty	L
1	-	Screw, 390 Nm (288 ft lbf)	-	
2	-	Screw, 60 Nm/200 Nm (447148 ft lbf), see "Assembly instruction"	-	
3	-	Filling valve, 130 Nm (96 ft lbf)	-	
4	-	Threaded plug, 20 Nm (15 ft lbf)	-	
5	-	Nipple, 90 Nm (66 ft lbf)	-	
6	-	Plug, 30 Nm (22 ft lbf)	-	
7	-	Grease nipple, 20 Nm (15 ft lbf)	-	

Mechanical Main dimensions, mm (in.)



This page intentionally left blank

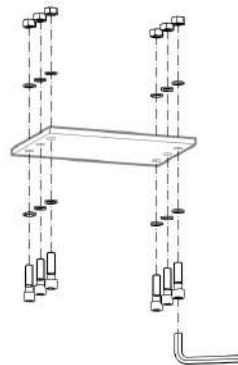
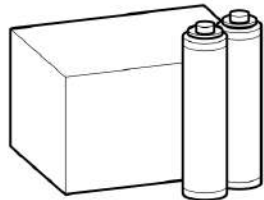
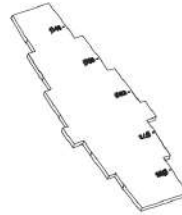
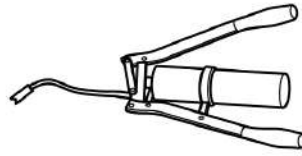
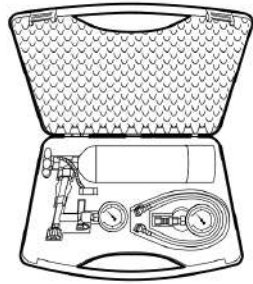
Mechanical Assembly instruction



1. Make sure the spring plate (B) and spacer (C) are centered before mounting the back head (D).
 2. Press the back head (D) down on the spring plate (B) and spacer (C).
 3. Grease the screws (A) with Molykote® 1000 (Molykote is a registered trademark of Dow Corning Corporation), and manually fit them on the back head (D)
 4. Torque the first two screws (A) in the order shown in picture above to 60 Nm (44 ft lbf). This will compress the spring plate (B), and fit the back head (D) into the cylinder housing (E). Torque the rest of screws (A) in the order shown in picture above to 200 Nm (148 ft lbf).
- NOTICE Always start by fitting screws by hands.
 NOTICE Tighten in two stages.
 Stage 1: 60 Nm (44 ft lbf)
 Stage 2: 200 Nm (148 ft lbf)

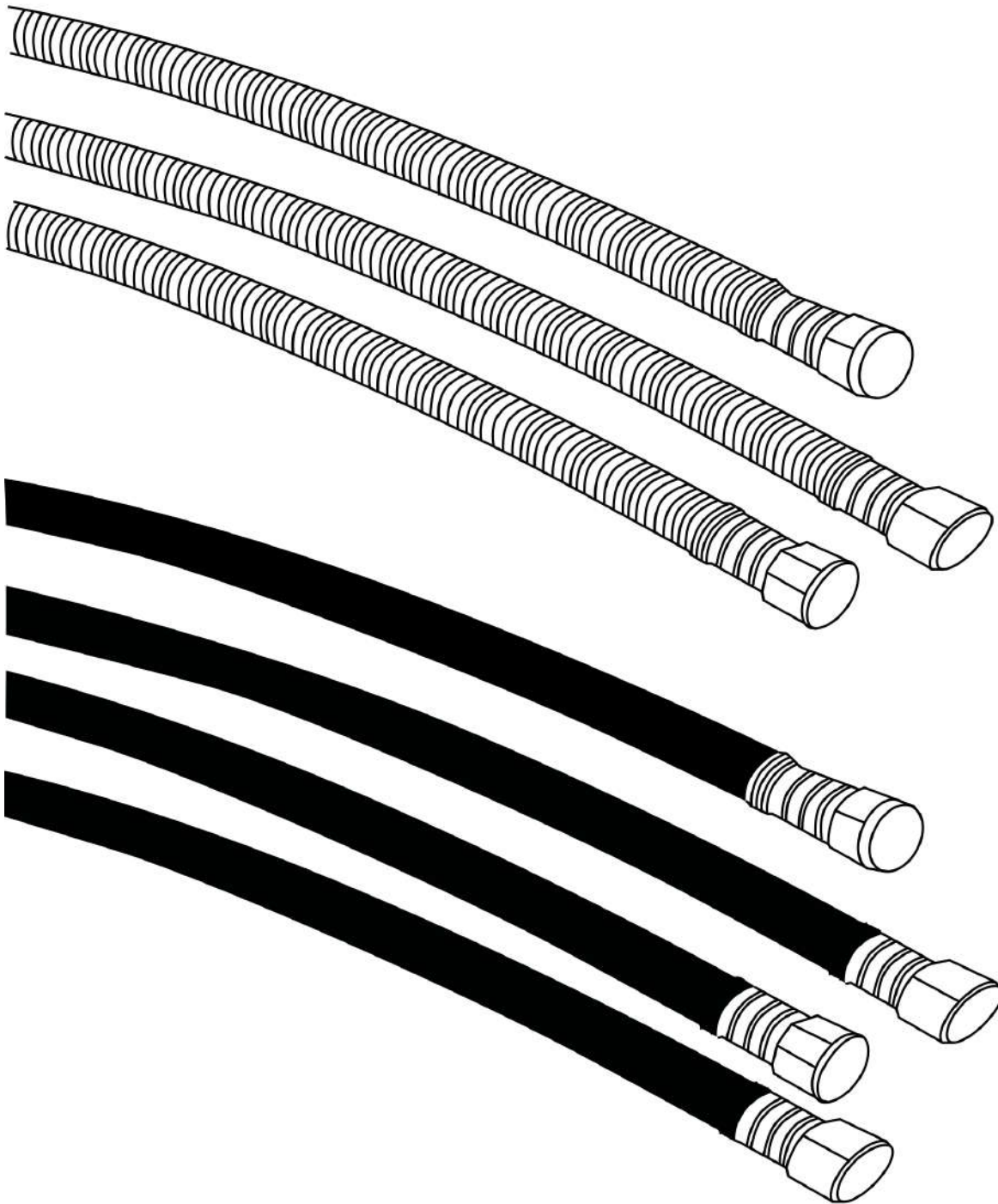
This page intentionally left blank

Options/accessories Optional equipment



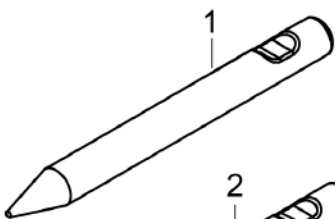
Item	Part No.	Name	Qty	L
1	3363094913	Chisel paste cartridge for grease gun, 12 x 400 g (0.88 lbs)	1	
2	0909107100	LUBRICAT.GUN	1	
3	3315303700	Test gauge wear bush	1	
4	3363491004	Charging box with nitrogen cylinder, 2 l, 0.43 gal (0.53 US gal)	1	
5	3363117786	Charging box without nitrogen cylinder	1	
6	3363099701	Base plate with through borings	1	
7	3363106508	Bolt kit	1	

Options/accessories Hydraulic hose

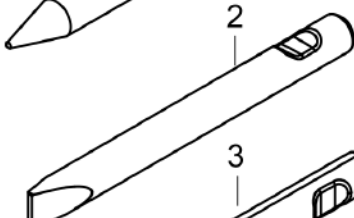


Item	Part No.	Name	Qty	L
Not Shown	-	Standard connection hoses	1	
-	3363115423	Hose, both ends 18 L(M26x1.5) length 1750 mm	2	
-	3363491002	Hose, both ends 18 L(M26x1.5) length 1500 mm	2	
-	3363101424	Hydraulic hose, I.D. 16 mm (0.63") 18 L (M26 x 1.5), length 2000 mm (78.74 in.)	2	
-	3363115425	Hose, both ends 18 L(M26x1.5) length 2400 mm	2	
Not Shown	-	Heavy duty connction hoses with spring protection	1	
-	3360995717	Hose, both ends 18 L(M26 x 1.5) length 1500 mm	2	
-	3363115426	Hose, both ends 18 L(M26x1.5) length 1750 mm	2	
-	3362235159	Hose, both ends 18 L(M26 x 1.5) length 2000 mm	2	
-	3363083313	Hose, both ends 18 L(M26 x 1.5) length 2400 mm	2	

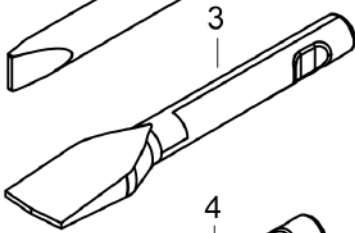
Options/accessories Working tools



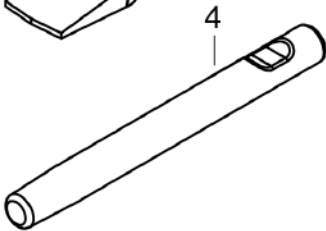
L=415 mm, Lt=760 mm, Wt=26.3 kg
 L=16.34 inch, Lt=29.92 inch, Wt=58 lb



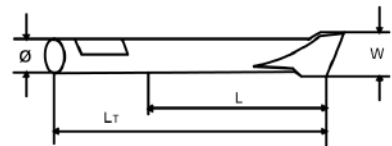
$\varnothing=80$ mm, L=415 mm, Lt=760 mm, Wt=27.3 kg
 W=3.15 inch, L=16.34 inch, Lt=29.92 inch, Wt=60.2 lb



W=200 mm, L=460 mm, Lt=745 mm, Wt=31.9 kg
 W=7.87 inch, L=18.11 inch, Lt=29.33 inch, Wt=70.3 lb



L=415 mm, Lt=760 mm, Wt=28.9 kg
 L=16.34 inch, Lt=29.92 inch, Wt=63.7 lb



Item	Part No.	Name	Qty	L
1	3083342432	Moil point (conical)	1	
2	3083342433	Chisel (cross)	1	
3	3363150005	Asphalt cutter (cross)	1	
4	3083342434	Blunt tool	1	

Any unauthorized use or copying of the contents or any part thereof is prohibited.
This applies in particular to trademarks, model denominations, part numbers, and drawings.