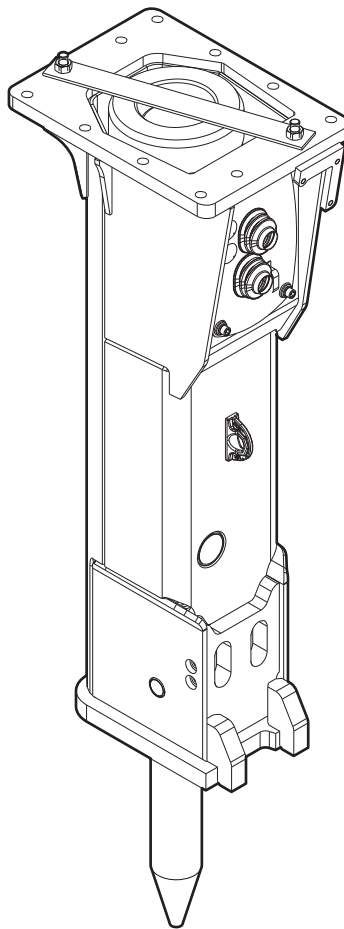


# EC 100T

---

## Spare parts list Hydraulic breakers

EC 100T s/n DEQ181463 -



# General information

This spare parts list applies to the following:

Part number	Description
3363115607	Hydraulic breaker EC 100T
3363124812	Hydraulic breaker EC 100T with HATCON (3G)
3363126892	Hydraulic breaker EC 100T with HATCON (LTE)

Use only authorized parts. Any damage or malfunction caused by the use of unauthorized parts is not covered by Warranty or Product Liability. Any unauthorized use or copying of the contents or any part thereof is prohibited. This applies in particular to trademarks, model denominations, part numbers, and drawings.

## Instructions for use

This spare parts list contains no safety regulations and is merely intended to assist in the ordering of spare parts.

For information about operating, servicing, or repairing, the relevant Safety and operating instructions must be consulted at all costs.

Please observe the safety instructions listed in the relevant Safety and operating instructions!

## Instructions for ordering

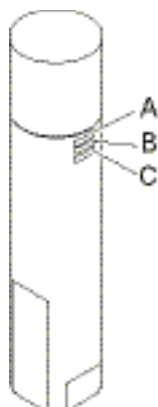
It is essential to indicate the serial number of the hydraulic attachment when ordering spare parts!

Please note the full identification number of your hydraulic attachment.

The code can be found on the main body.

Determine the quantity of individual parts which are required and need to be ordered. The order must indicate the following details:

- full identification code of the hydraulic attachment
- required quantity
- part number



- A. Type
- B. Serial number
- C. Main body number

**Service, repair and wear part kits**

Label kit ..... 1  
Kit list ..... 3

**Mechanical**

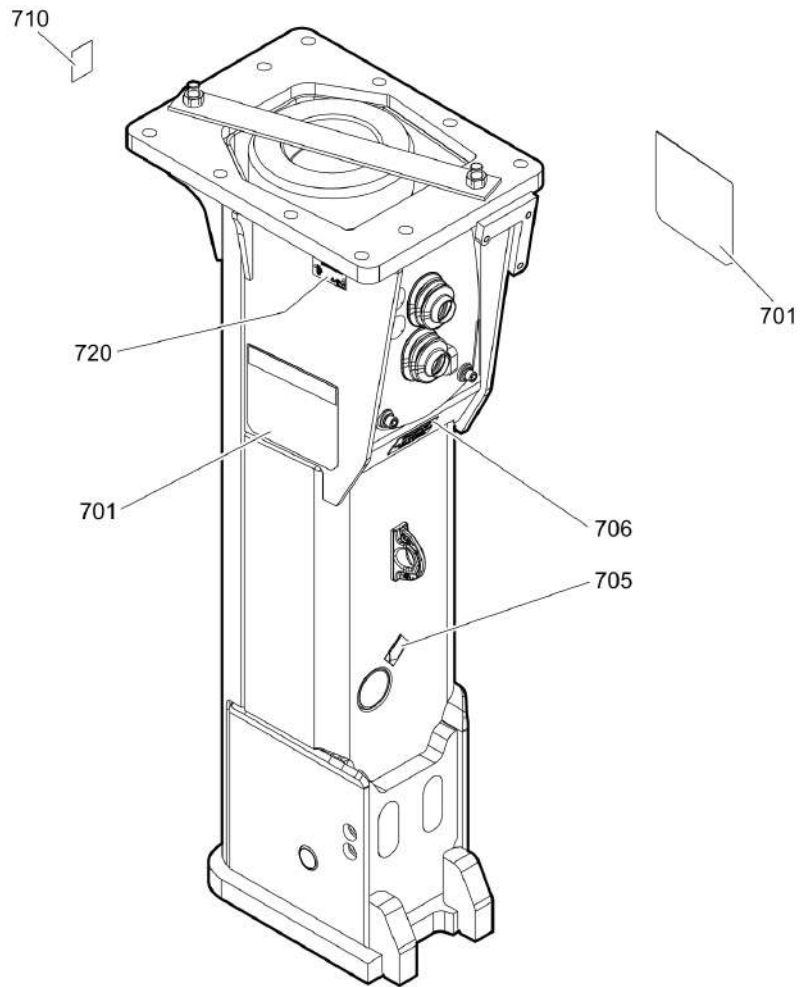
Hydraulic breaker ..... 5  
Percussion unit part 1: Cover ..... 7  
Percussion unit part 2: main body complete ..... 9  
HATCON ..... 11  
Tightening torques ..... 13  
Dimensions ..... 15

**Options / accessories**

Hydraulic hoses ..... 16  
Optional equipment ..... 19  
Working tools ..... 21

Service, repair and wear part kits Label kit

700			
701	705	706	710



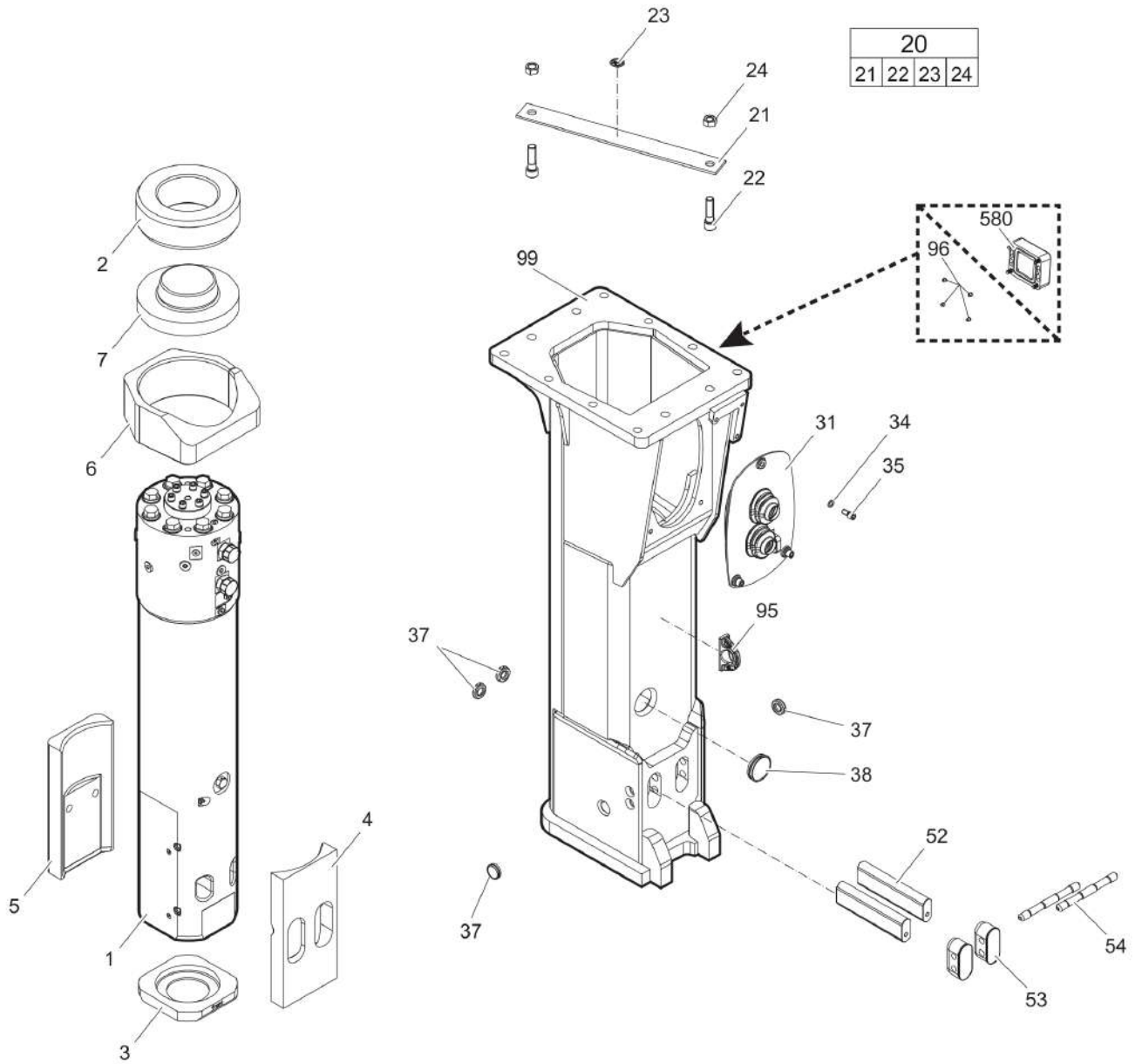
Item	Part No.	Name	Qty	L
700(701-710)	3363121467	Label kit	1	
701		Label "EC 100 Epiroc"	2	
705		LABEL -LUBRICATING SYMBOL	1	
706		Label - Gas pressure	2	
710		Sound power label	1	
720		Name plate - Consult the authorized Customer Center/Dealer in your area.	1	

Service, repair and wear part kits Kit list

NO EXPLODED VIEW  
AVAILABLE  
FOR THIS BOM

Item	Part No.	Name	Qty	L
KIT	3363122460	Seal kit	1	
101	3361853317	O-ring	1	
107	3360314494	O-ring	1	
160	3360314551	O-ring	2	
182	3360478426	THREADED PLUG	1	
183	3360175125	O-RING	1	
201	3363109525	Seal	1	
202	3363109527	Back-up ring	1	
203	3363091710	Seal	1	
302	3363110010	Seal	6	
303	3363066582	O-ring	1	
305	3363122402	Seal	2	
306	3363091714	Wiper	1	
307	3363083573	Seal	8	
308	3362267583	Stircomatic	1	
309	3362267581	Seal	1	

Mechanical Hydraulic breaker





Item	Part No.	Name	Qty	L
1		Percussion unit	1	A
2	3363104943	Elastic pad	1	
3	3363122764	Shock absorber	1	
4	3363113793	Guide plate	1	
5	3363115900	Guide plate	1	
6	3363115899	Guide ring	1	
7	3363104955	Cap	1	
20(21-24)	3363083731	Transport safety device complete	1	
21		Transport safety device	1	
22	3360026786	Allen screw	2	
23	3363091872	Label transport safety device	1	
24	3360103251	Nut	2	
31	3363115923	Plate	1	
34	3361850596	PAIR OF LOCK WASHERS	3	
35	3360103750	Allen screw	3	
37	3362267897	Plug	4	
38	3362267893	Plug	1	
52	3363114486	Retainer bar	2	
53	3363114673	Plug	2	
54	3363114461	Bolt	2	
95	3363111993	Lifting eye	1	B
96	3315439145	PROTECTIVE PLUG HATCON	4	C
99	3363115850	Breaker box	1	D
580		HATCON	1	E

Comments for Page: Hydraulic breaker

(L)OCAL REMARKS

A | see separate chapter

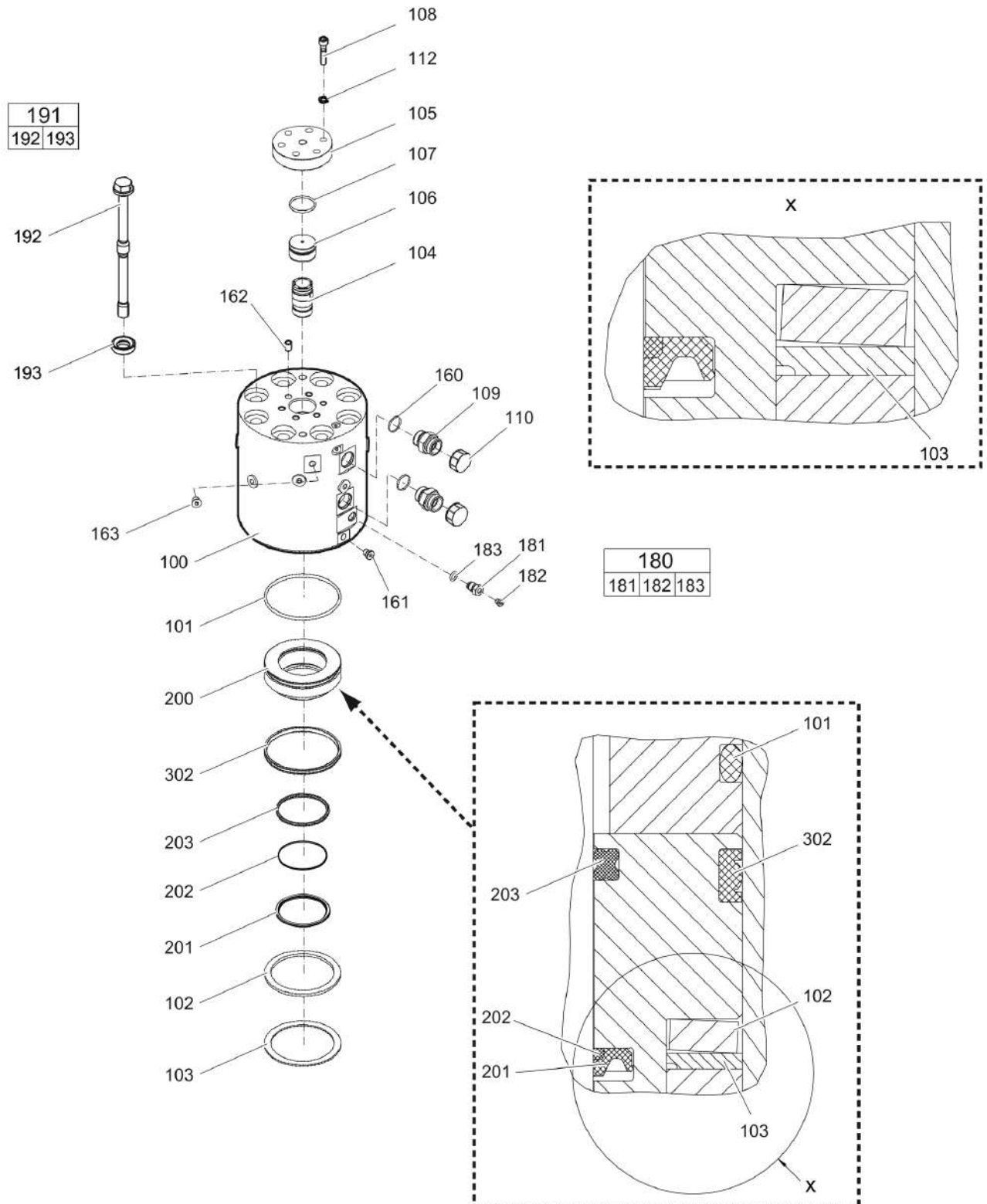
B | professional welding process necessary

C | only for hydraulic breakers without HATCON

D | with item 95 and 96

E | only for hydraulic breakers with HATCON / see separate chapter

Mechanical Percussion unit part 1: Cover



Item	Part No.	Name	Qty	L
100	3363110014	Cover	1	A
101	3361853317	O-ring	1	
102	3363110009	Plate spring	1	
103	3363109431	Disk	1	B
104	3363109417	Main control valve	1	
105	3363109425	Cover	1	
106	3363109419	Cap	1	
107	3360314494	O-ring	1	
108	3360026514	Allen screw	6	
109	3360478190	Fitting	2	C
110	3361353487	Cap	2	
112	3361850596	PAIR OF LOCK WASHERS	6	
160	3360314551	O-ring	2	
161	3363066963	Plug, M14 x 1.5 mm	1	
162	3363110012	Threaded insert	6	
163	3360478439	Threaded plug	1	
180(181-183)	3363087286	FILLING VALVE, complete	1	
181		FILLING VALVE	1	
182	3360478426	THREADED PLUG	1	
183	3360175125	O-RING	1	
191(192-193)	3363110057	Tensioning bolt complete	8	
192		Tensioning bolt	1	
193	3363109423	Washer	1	
200	3363109415	Seal bush	1	
201	3363109525	Seal	1	
202	3363109527	Back-up ring	1	
203	3363091710	Seal	1	
302	3363110010	Seal	1	

Comments for Page: Percussion unit part 1: Cover

(L)OCAL REMARKS

A | with item 161 - 163

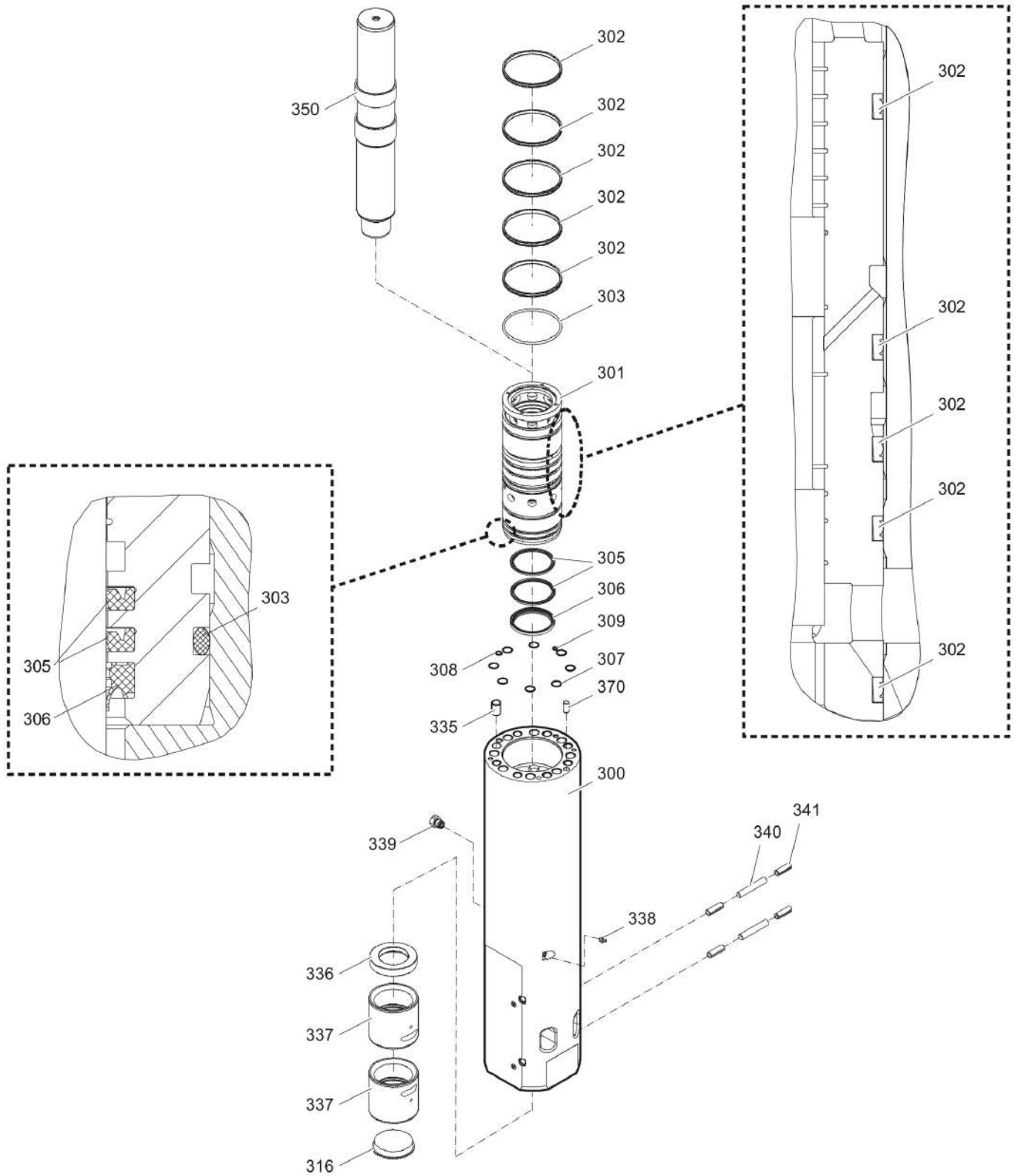
B | observe mounting direction

C | with item 160

Refer to the DocMine web page for most up-to-date information. The printed information might be outdated.

Mon Sep 05 09:49:59 UTC 2022

Mechanical Percussion unit part 2: main body complete



Refer to the DocMine web page for most up-to-date information. The printed information might be outdated.  
Mon Sep 05 09:49:59 UTC 2022

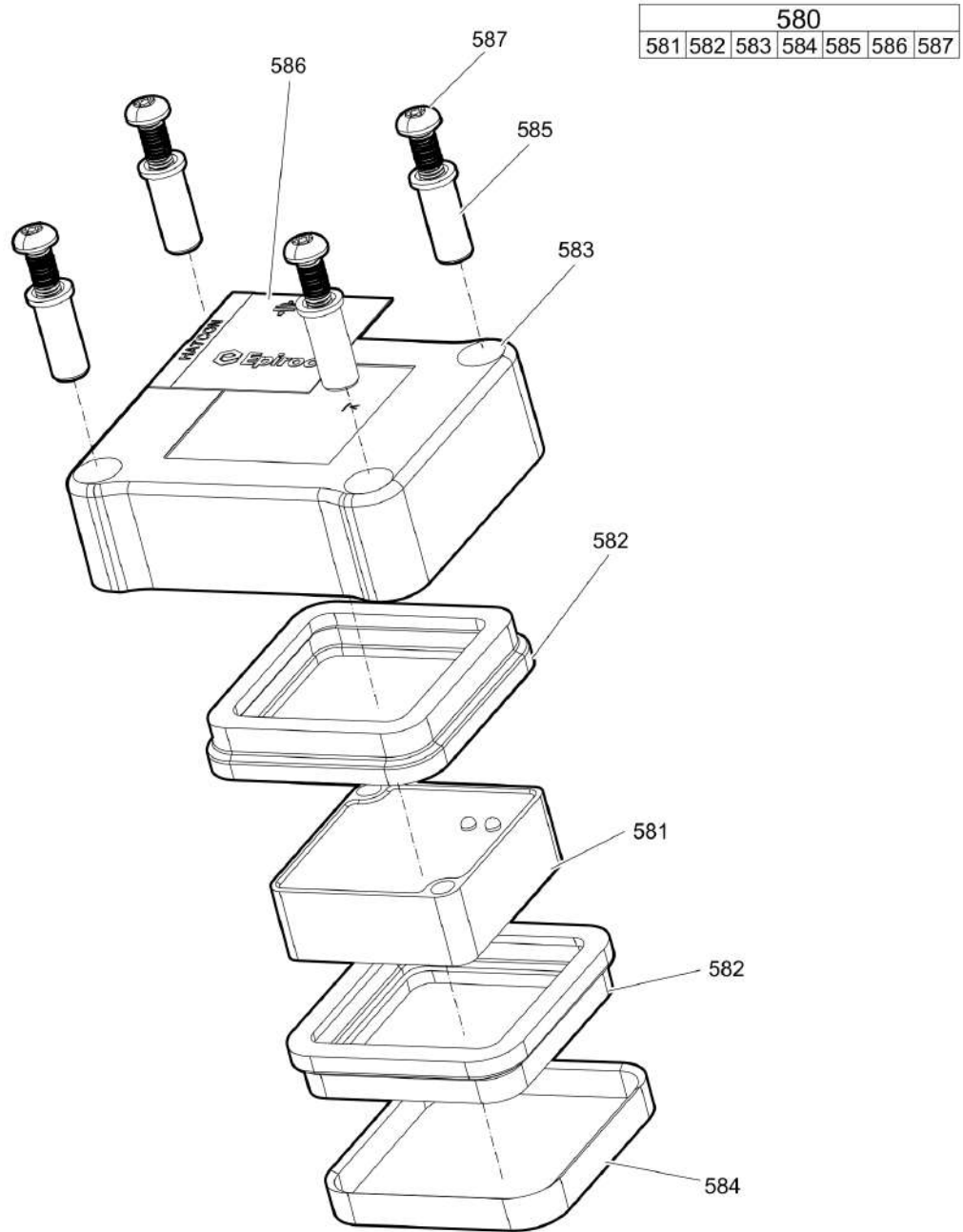
Item	Part No.	Name	Qty	L
300	3363114612	Main body	1	A
301	3363122452	Cylinder bush	1	
302	3363110010	Seal	5	
303	3363066582	O-ring	1	
305	3363122402	Seal	2	
306	3363091714	Wiper	1	
307	3363083573	Seal	8	
308	3362267583	Stirromatic	1	
309	3362267581	Seal	1	
316	3363031713	Protective cap	1	
335	3363110011	Threaded insert	8	
336	3363109427	Impact ring	1	
337	3363109429	Wear bush	2	
338	3360433774	GREASE NIPPLE	1	
339	3363109435	Non return valve, G1/2 in.	1	
340	3362261509	Pin	2	
341	3363091201	Spring dowel sleeve	4	
350	3363110051	Percussion piston	1	
370	3360106784	Parallel pin 14X28	1	

Comments for Page: Percussion unit part 2: main body complete

(L)OCAL REMARKS

A | with item 335 - 341

Mechanical HATCON



Item	Part No.	Name	Qty	L
580(581-587)		HATCON	1	A
581		TRACKING MODULE HATCON	1	
582	3315439130	DAMPER HATCON	2	
583	3315439110	HOUSING TYPE 1 HATCON	1	
584	3315439140	LOCK RING HATCON	1	
585	3315439120	SLEEVE HATCON	4	
586	3315439100	PRODUCT LABEL HATCON	1	
587	3315442600	SCREW HATCON	4	

Comments for Page: HATCON

A | part number see chapter "Optional equipment"

Mechanical Tightening torques

NO EXPLODED VIEW  
AVAILABLE  
FOR THIS BOM



Item	Part No.	Name	Qty	L
35	-	Allen screw - 10 Nm (7 ft lbf)	-	A
108	-	Allen screw - 85 Nm (63 ft lbf)	-	B
109	-	Fitting - 120 Nm (89 ft lbf)	-	C
181	-	Filling valve - 130 Nm (96 ft lbf)	-	D
182	-	Threaded plug - 20 Nm (15 ft lbf)	-	E
192	-	Tensioning bolt	-	F
339	-	Non-return valve - 200 Nm (148 ft lbf)	-	G
587	-	Screw HATCON - 22 Nm (16 ft lbf)	-	H

Comments for Page: Tightening torques

(L)OCAL REMARKS

A | Allen key size 10

B | Allen key size 10

C | Open-end wrench size 41

D | Socket spanner size 22

E | Allen key size 5

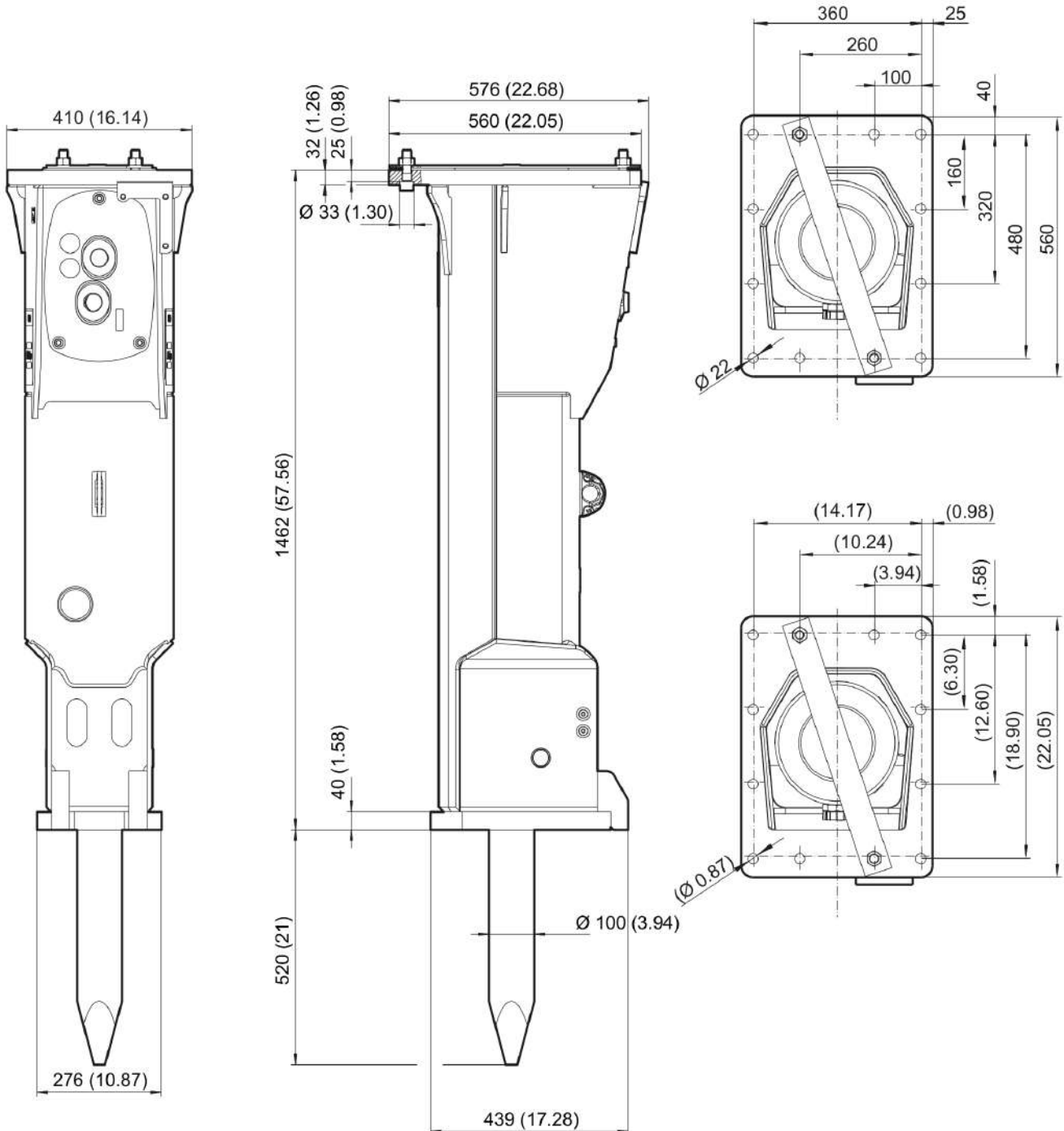
F | Torque wrench or Power wrench size 32

1. Pre-tighten the bolts to 100 Nm (74 ft lbf), proceeding in a crosswise fashion,
2. pre-tighten the bolts to 100 Nm (74 ft lbf) again, proceeding in a crosswise fashion,
3. then tighten each bolt through 90° (1 ½ sides of hexagonal head) in a crosswise fashion,
4. finally tighten each bolt again through 90° (1 ½ sides of hexagonal head) in a crosswise fashion

G | Socket wrench size 27

H | Security bit HATCON

Mechanical Dimensions



Refer to the DocMine web page for most up-to-date information. The printed information might be outdated.  
 Mon Sep 05 09:50:05 UTC 2022

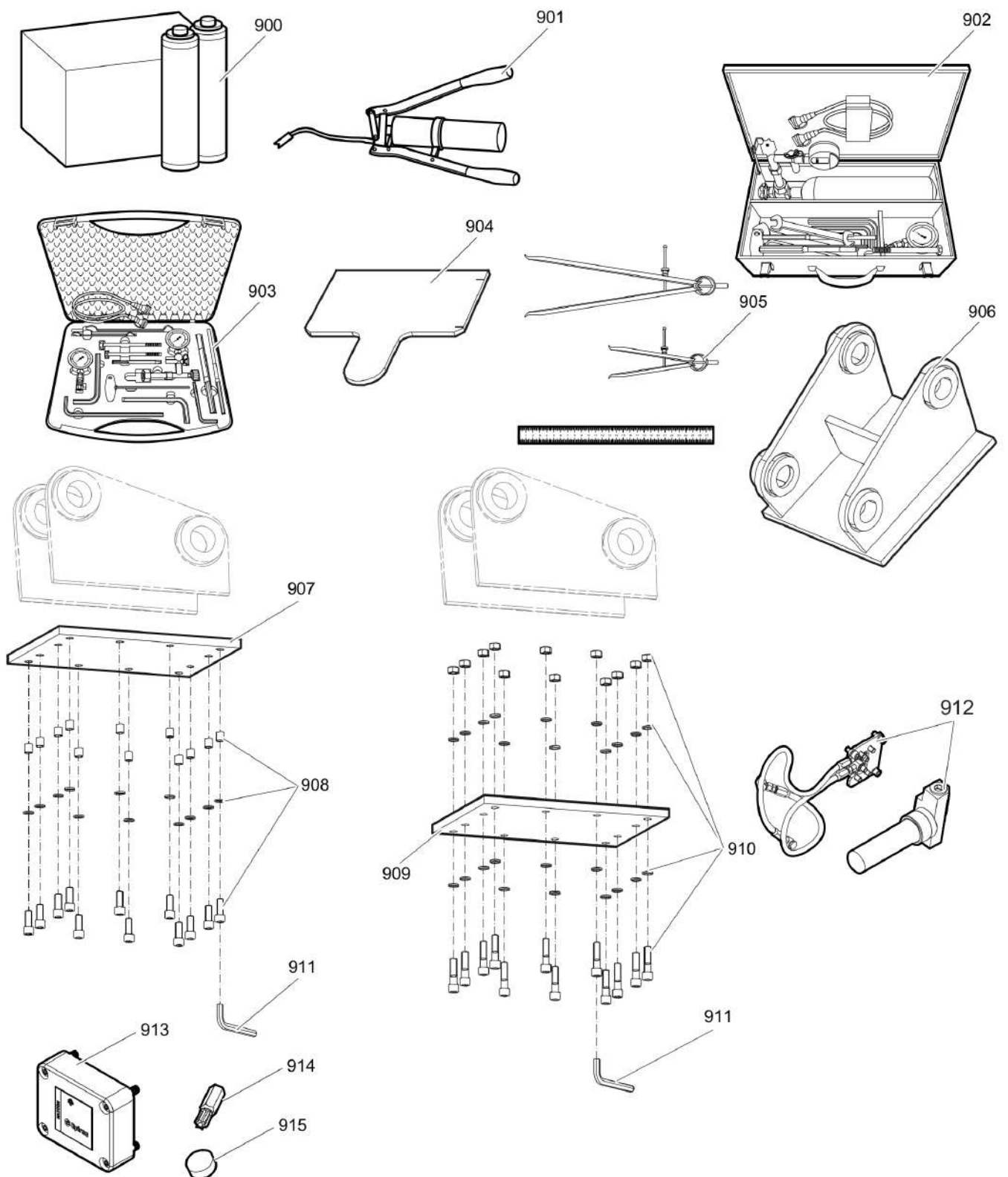
This page intentionally left blank

Options / accessories Hydraulic hoses

**NO EXPLODED VIEW  
AVAILABLE  
FOR THIS BOM**

Item	Part No.	Name	Qty	L
-	3360332294	HYDRAULIC HOSE, I.D. 20 (0.79 in.), both ends M36 x 2 mm conical seal 24°, length 2,300 mm (90.5 in.)	2	
-	3363085947	HYDRAULIC HOSE, I.D. 20 (0.79 in.), both ends M36 x 2 mm conical seal 24°, length 2,800 mm (110.2 in.)	2	

Options / accessories Optional equipment



Refer to the DocMine web page for most up-to-date information. The printed information might be outdated.  
Mon Sep 05 09:50:08 UTC 2022

Item	Part No.	Name	Qty	L
900	3363122356	BIO CHISEL PASTE CARTRIDGE, 12 x 550 g (1.2 lbs)	1	
900	3363091200	CHISEL PASTE CARTRIDGE, 12 x 500 g (1.1 lbs)	1	
901	3363034567	GREASE PUMP	1	
902	3363491004	CHARGING BOX with nitrogen cylinder, 2 l, 0.43 gal (0.53 US gal)	1	
903	3363117786	CHARGING BOX without nitrogen cylinder	1	
904	3362235293	TEST GAUGE LOWER WEAR BUSH	1	
905	3363094952	INSIDE CALLIPERS UPPER WEAR BUSH	1	
906		ADAPTER PLATE matching the carrier. Consult the authorized Customer Center/Dealer in your area.	1	
907	3363099797	BASE PLATE WITH THREADED INSERTS	1	
908	3363094537	BOLT KIT	1	
909	3363100695	BASE PLATE WITH THROUGH BORINGS	1	
910	3363094574	BOLT KIT	1	
911	3360209253	ALLEN KEY (19 mm)	1	
912	3363117805	Automatic lubrication system kit	1	A
913	3315442500	HATCON KIT 1 (3G)	1	B
913	3315442520	HATCON KIT 1 (LTE)	1	B
914	3315439105	SECURITY BIT HATCON	1	
915	3315439106	MAGNET HATCON	1	

Comments for Page: Optional equipment

A | ContiLube® II

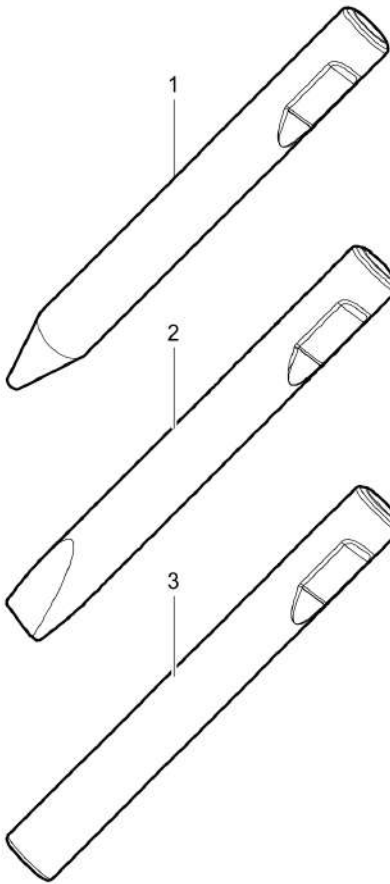
B | with item 914 and 915

Hydraulic breakers are factory equipped with threads for attaching Retrofit kit HATCON

from s/n DEQ210205 - (EC 100T)

from s/n DEQ201042 - (EC 100T CL)

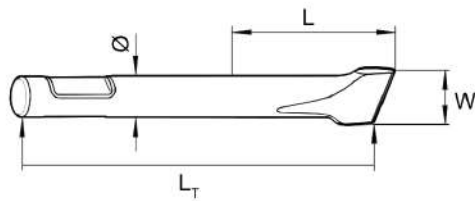
Options / accessories Working tools



Ø=100 mm, L=520 mm, L<sub>T</sub>=920 mm, Wt=50.2 kg  
 Ø=3.94 inch, L=21 inch, L<sub>T</sub>=36.22, Wt=110.7 lb

Ø=100 mm, W=100 mm, L=520 mm, L<sub>T</sub>=920 mm, Wt=52.6 kg  
 Ø=3.94 inch, W=3.94 inch, L=21 inch, L<sub>T</sub>=36.22, Wt=116.0 lb

Ø=100 mm, L=520 mm, L<sub>T</sub>=920 mm, Wt=55.0 kg  
 Ø=3.94 inch, L=21 inch, L<sub>T</sub>=36.22, Wt=121.3 lb





Item	Part No.	Name	Qty	L
1	3363120144	Moil point	1	
2	3363120142	Chisel (cross)	1	
3	3363120143	Blunt tool	1	





Any unauthorized use or copying of the contents or any part thereof is prohibited.  
This applies in particular to trademarks, model denominations, part numbers, and drawings.