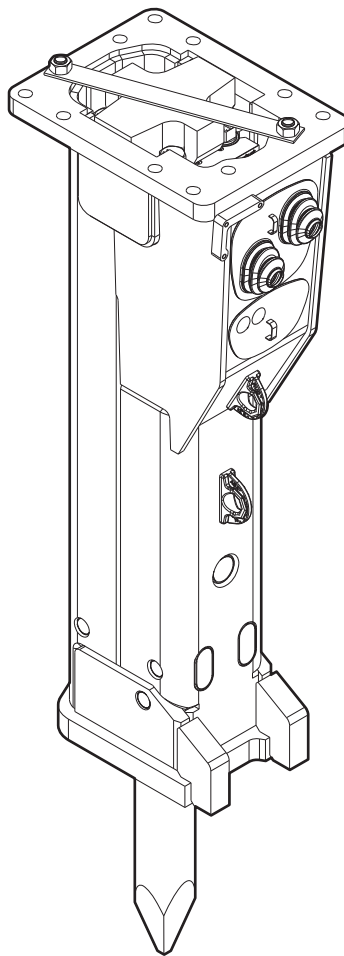


EC 140T

Spare parts list Hydraulic breakers

EC 140T s/n DEQ181382 -



General information

This spare parts list applies to the following:

Part number	Description
3363115610	Hydraulic breaker EC 140T
3363124824	Hydraulic breaker EC 140T with HATCON (3G)
3363126898	Hydraulic breaker EC 140T with HATCON (LTE)

Use only authorized parts. Any damage or malfunction caused by the use of unauthorized parts is not covered by Warranty or Product Liability. Any unauthorized use or copying of the contents or any part thereof is prohibited. This applies in particular to trademarks, model denominations, part numbers, and drawings.

Instructions for use

This spare parts list contains no safety regulations and is merely intended to assist in the ordering of spare parts.

For information about operating, servicing, or repairing, the relevant Safety and operating instructions must be consulted at all costs.

Please observe the safety instructions listed in the relevant Safety and operating instructions!

Instructions for ordering

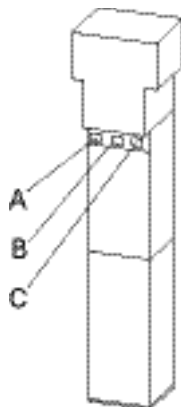
It is essential to indicate the serial number of the hydraulic attachment when ordering spare parts!

Please note the full identification number of your hydraulic attachment.

The code can be found on the cylinder.

Determine the quantity of individual parts which are required and need to be ordered. The order must indicate the following details:

- full identification code of the hydraulic attachment
- required quantity
- part number
- description



A. Cylinder number

B. Type

C. Serial number

Service, repair and wear part kits

Label kit 1
Kit list 3

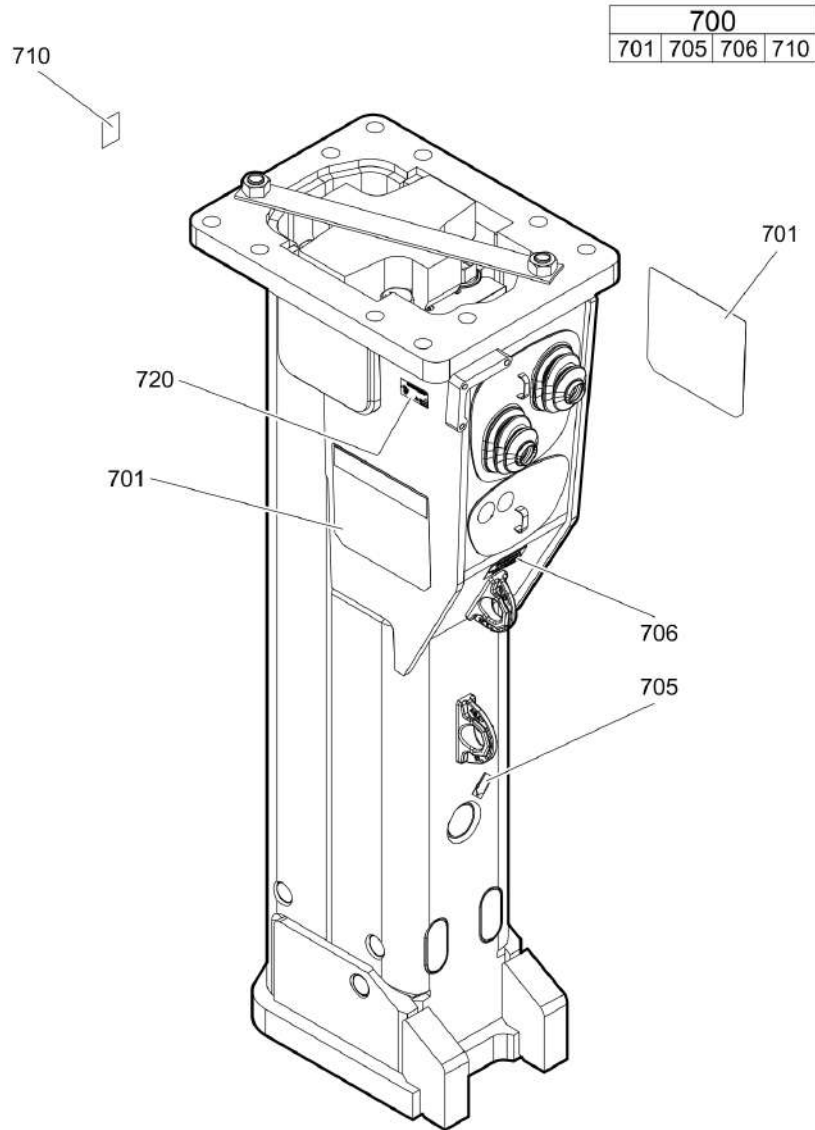
Mechanical

Hydraulic breaker 5
Percussion unit part 1: cylinder cover 7
Percussion unit part 2: cylinder 10
Percussion unit part 3: lower breaker part 13
HATCON 15
Tightening torques 17
Dimensions 19

Options / accessories

Hydraulic hoses 20
Optional equipment 23
Working tools ClassicLine 25
Working tools ProLine 27

Service, repair and wear part kits Label kit



Item	Part No.	Name	Qty	L
700(701-710)	3363121470	Label kit	1	
701		Label "EC 140 Epiroc"	2	
705		LABEL -LUBRICATING SYMBOL	1	
706		Label - Gas pressure	2	
710		Sound power label	1	
720		Name plate - Consult the authorized Customer Center/Dealer in your area.	1	

Service, repair and wear part kits Kit list

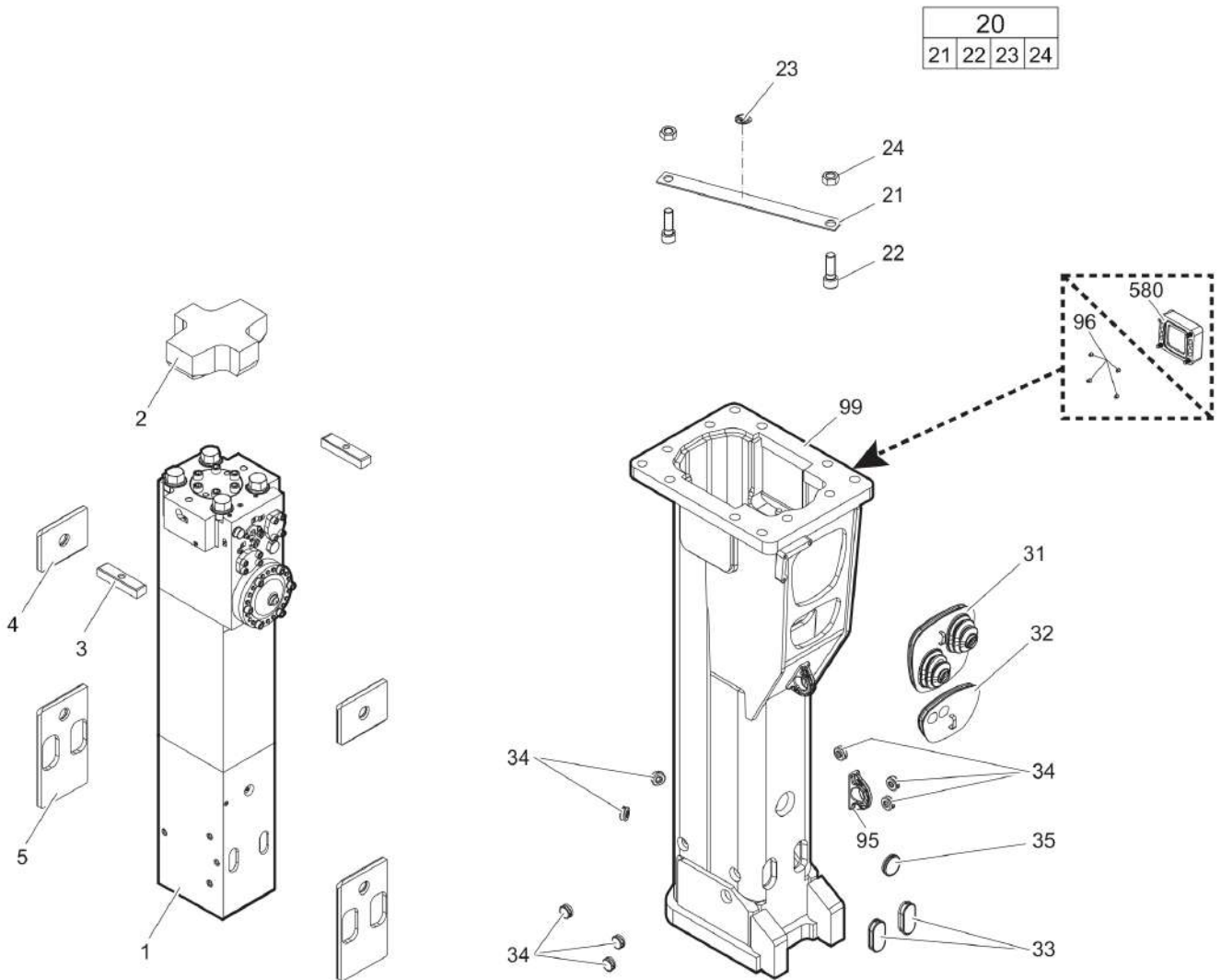
**NO EXPLODED VIEW
AVAILABLE
FOR THIS BOM**

Item	Part No.	Name	Qty	L
KIT	3363112932	Seal kit	1	
103	3360314375	O-RING	1	
132	3360314372	O-ring	2	
182	3360478426	THREADED PLUG	1	
183	3360175125	O-RING	1	
164	3361031912	O-ring	1	
165	3361850529	Back-up ring	1	
166	3361031990	O-ring	1	
194	3363112659	O-ring	1	
195	3360314656	O-ring	1	
201	3363031872	Seal	1	
204	3360479721	O-ring	1	
203	3363031973	Seal	1	
204	3363114621	Seal	1	
301	3362328126	O-ring	1	
304	3363083668	Wiper	1	
305	3362267584	Seal	5	
306	3362267589	Seal	4	
307	3362267557	Seal	1	
390(391-392)	3362263822	Seal kit	1	
391		Seal	1	
392		Back-up ring	1	
-	3360478098	O-ring	1	
KIT	3363098088	Fastening screw kit	1	
161	3363070490	Allen screw	6	
163	3361333703	Pair of lock washers	6	
172	3361031989	Threaded insert	6	
KIT	3363089849	Accumulator repair kit	1	
-	3362261647	Diaphragm	1	
-	3360332259	Filling screw	1	
-	3360314460	O-ring	1	
-	3361335025	Protective cap	1	
-	3361031912	O-ring	1	
-	3361850529	Back-up ring	1	

Refer to the DocMine web page for most up-to-date information. The printed information might be outdated.

Wed Sep 07 07:11:56 UTC 2022

Mechanical Hydraulic breaker



Item	Part No.	Name	Qty	L
1		Percussion unit	1	A
2	3363105171	Elastic pad	1	
3	3363105173	Shock absorber	2	
4	3363115969	Guide plate	2	
5	3363115970	Guide plate	2	
20(21-24)	3363083416	Transport safety device complete	1	
21		Transport safety device	1	
22	3360026883	Allen screw	2	
23	3363091872	Label transport safety device	1	
24	3360103254	Nut	2	
31	3363033551	Cover	1	
32	3363116113	Cover	1	
33	3363086011	Plug	2	
34	3363086015	Plug	8	
35	3362267893	Plug	1	
95	3363111994	Lifting eye	2	B
96	3315439145	PROTECTIVE PLUG HATCON	4	C
99	3363116108	Breaker box	1	D
580		HATCON	1	E

Comments for Page: Hydraulic breaker

(L)OCAL REMARKS

A | see separate chapter

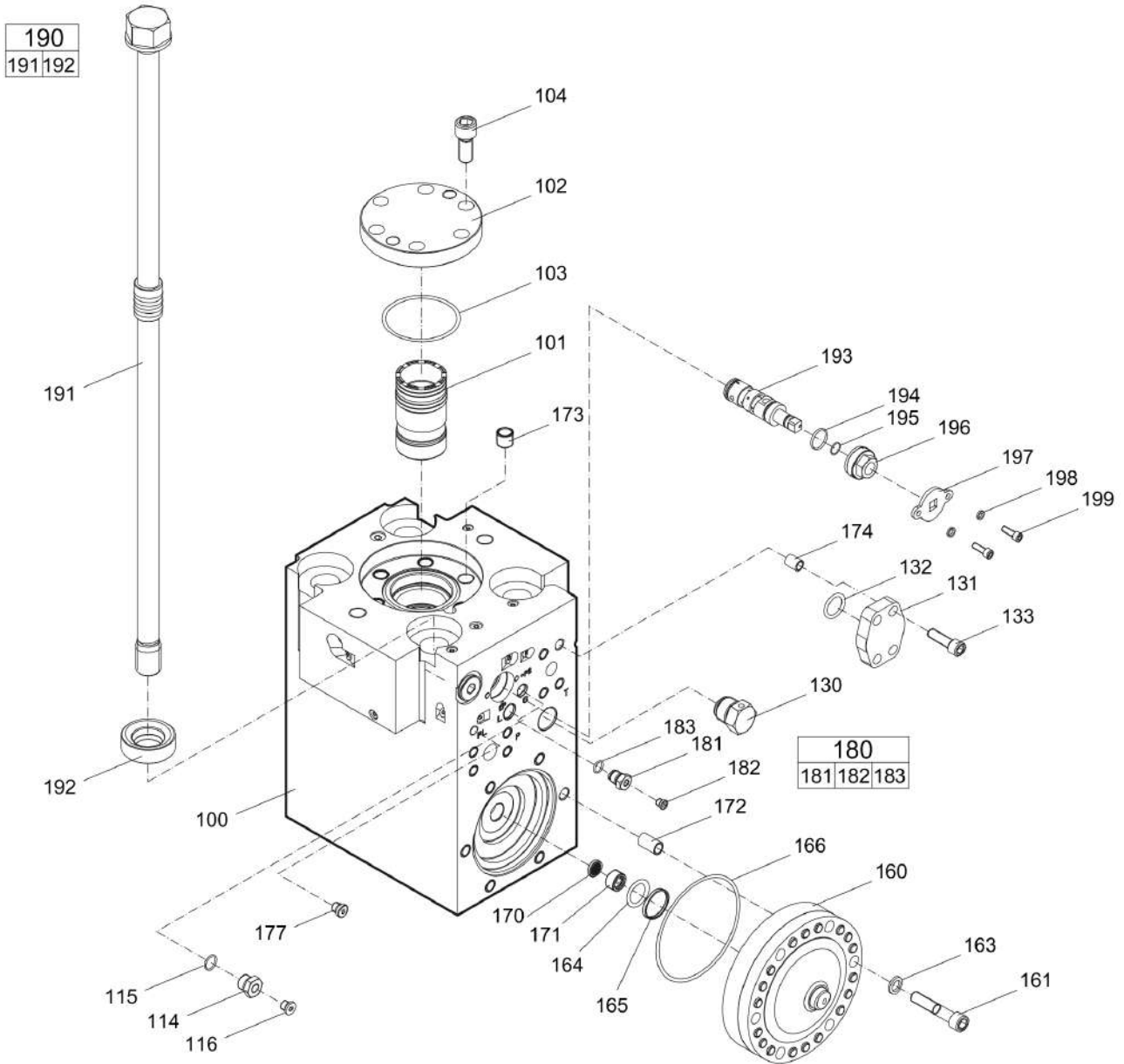
B | professional welding process necessary

C | only for hydraulic breakers without HATCON

D | with item 95 and 96

E | only for hydraulic breakers with HATCON / see separate chapter

Mechanical Percussion unit part 1: cylinder cover



Refer to the DocMine web page for most up-to-date information. The printed information might be outdated.
Wed Sep 07 07:11:59 UTC 2022

Item	Part No.	Name	Qty	L
100	3363112635	Cylinder cover	1	
101	3363118244	Main control valve	1	A
102	3361331555	Cover	1	
103	3360314375	O-RING	1	
104	3360103776	Allen screw	6	
114	3361854657	Connecting screw	1	
115	3360478171	O-ring	1	
116	3360478439	Threaded plug	1	
130	3361854511	Non-return valve	1	
131	3363034041	Blind flange	2	
132	3360314372	O-ring	2	
133	3363034274	Allen screw	8	
160	3363069585	HP-accumulator	1	
161	3363070490	Allen screw	6	
163	3361333703	Pair of lock washers	6	
164	3361031912	O-ring	1	
165	3361850529	Back-up ring	1	
166	3361031990	O-ring	1	
170	3361844113	Strainer disk	1	
171	3361844115	Threaded plug	1	
172	3361031989	Threaded insert	6	
173	3361031529	Threaded insert	6	
174	3361031946	Threaded insert	8	
177	3363066963	Plug, M14 x 1.5 mm	1	
180(181-183)	3363087286	FILLING VALVE, complete	1	
181		FILLING VALVE	1	
182	3360478426	THREADED PLUG	1	
183	3360175125	O-RING	1	
190(191-192)	3363112935	Tensioning bolt complete	4	
191		Tensioning bolt	1	
192	3363097773	Washer	1	
193	3363113244	Valve	1	B
194	3363112659	O-ring	1	
195	3360314656	O-ring	1	
196	3363113246	Threaded plug	1	
197	3363119005	Plate	1	
198	3361850743	Pair of lock washers	2	

Refer to the DocMine web page for most up-to-date information. The printed information might be outdated.

Wed Sep 07 07:11:59 UTC 2022

Item	Part No.	Name	Qty	L
199	3360103735	Allen screw	2	

Comments for Page: Percussion unit part 1: cylinder cover

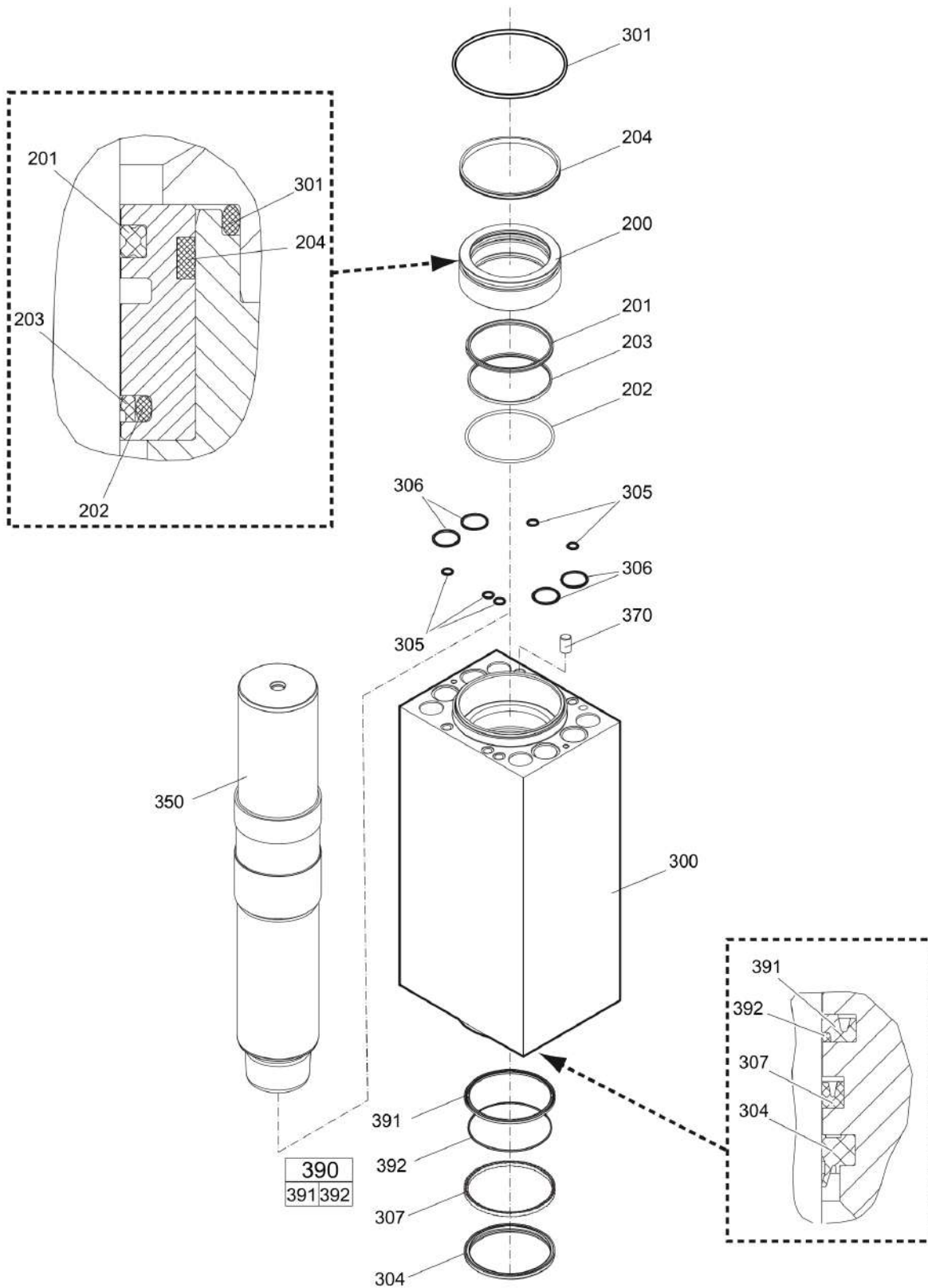
(L)OCAL REMARKS

A | with item 114 and 170 - 177

B | Stroke control

This page intentionally left blank

Mechanical Percussion unit part 2: cylinder

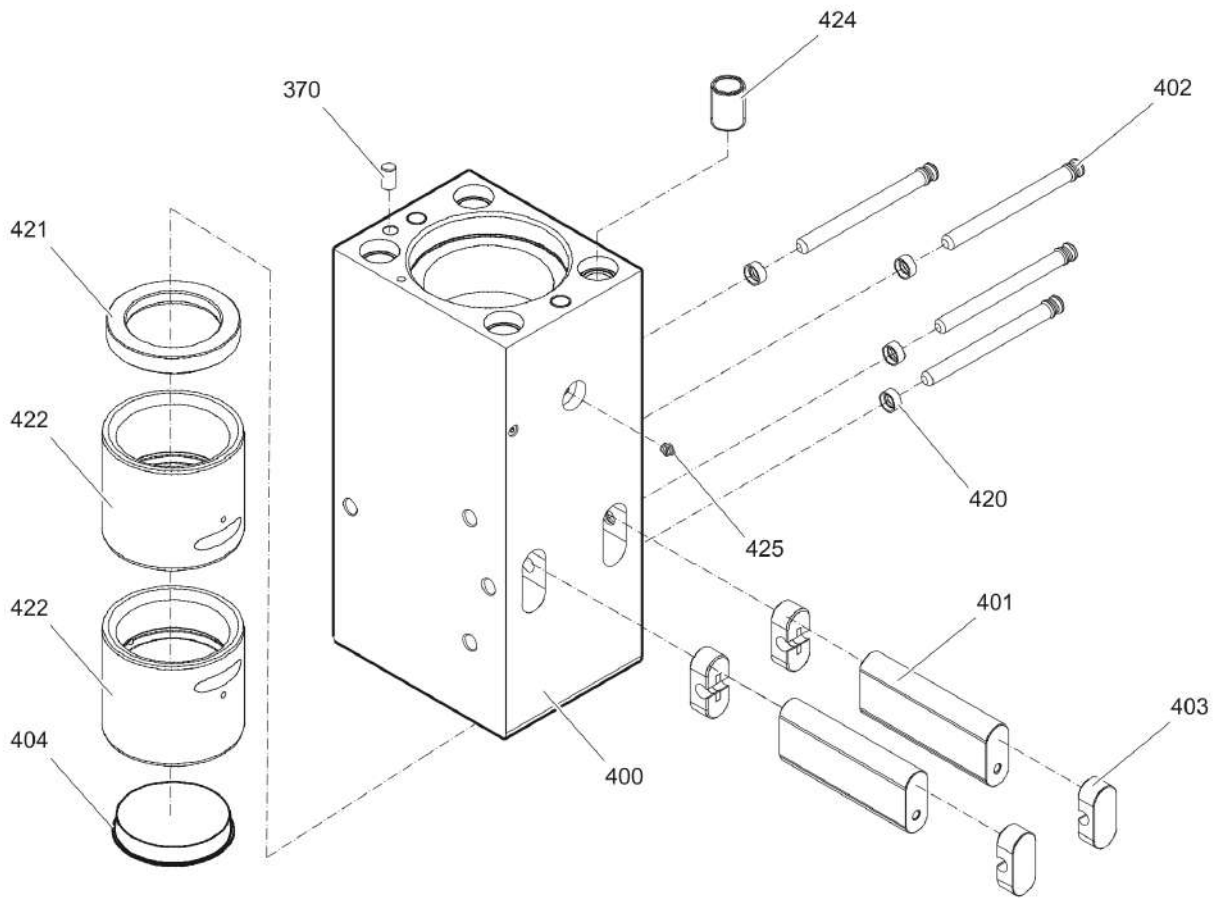


Item	Part No.	Name	Qty	L
200	3363105557	Seal bush	1	
201	3363031872	Seal	1	
202	3360479721	O-ring	1	
203	3363031973	Seal	1	
204	3363114621	Seal	1	
300	3363112441	Cylinder	1	
301	3362328126	O-ring	1	
304	3363083668	Wiper	1	
305	3362267584	Seal	5	
306	3362267589	Seal	4	
307	3362267557	Seal	1	
350	3363085730	Percussion piston	1	
370	3363033051	Lock pin	1	
390(391-392)	3362263822	Seal kit	1	
391		Seal	1	
392		Back-up ring	1	

Refer to the DocMine web page for most up-to-date information. The printed information might be outdated.

Wed Sep 07 07:12:00 UTC 2022

Mechanical Percussion unit part 3: lower breaker part



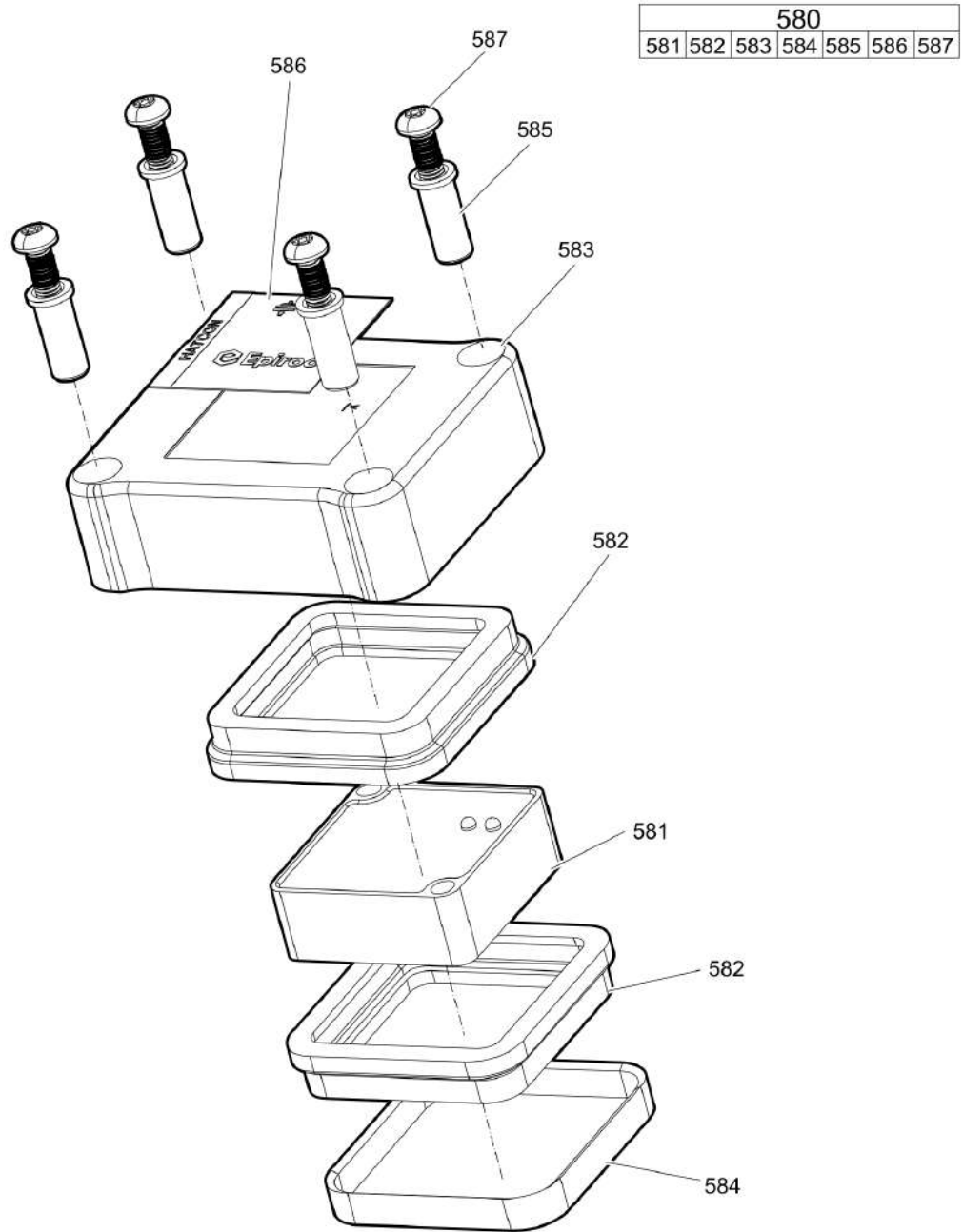
Item	Part No.	Name	Qty	L
370	3363033051	Lock pin	1	
400	3363106623	Lower breaker part	1	A
401	3360981927	Retainer bar	2	
402	3363033027	Bolt	4	
403	3362262925	Plug	4	
404	3363066028	Protective cap	1	
420	3363033043	Locking bush	4	
421	3363069077	Impact ring	1	
422	3363105555	Wear bush	2	
424	3363031774	Threaded insert	4	
425	3360433774	GREASE NIPPLE	1	

Comments for Page: Percussion unit part 3: lower breaker part

(L)OCAL REMARKS

A | with item 420 - 425 and two times item 402

Mechanical HATCON



Item	Part No.	Name	Qty	L
580(581-587)		HATCON	1	A
581		TRACKING MODULE HATCON	1	
582	3315439130	DAMPER HATCON	2	
583	3315439110	HOUSING TYPE 1 HATCON	1	
584	3315439140	LOCK RING HATCON	1	
585	3315439120	SLEEVE HATCON	4	
586	3315439100	PRODUCT LABEL HATCON	1	
587	3315442600	SCREW HATCON	4	

Comments for Page: HATCON

A | part number see chapter "Optional equipment"

Mechanical Tightening torques

NO EXPLODED VIEW
AVAILABLE
FOR THIS BOM

Item	Part No.	Name	Qty	L
22	-	Allen screw - 240 Nm (177 ft lbf)	-	A
24	-	Nut - 240 Nm (177 ft lbf)	-	B
104	-	Allen screw - 380 Nm (280 ft lbf)	-	C
130	-	Non-return valve - 200 Nm (148 ft lbf)	-	D
133	-	Allen screw - 130 Nm (96 ft lbf)	-	E
161	-	Allen screw - 350 Nm (258 ft lbf)	-	F
181	-	Filling valve - 130 Nm (96 ft lbf)	-	G
182	-	Threaded plug - 20 Nm (15 ft lbf)	-	H
191	-	Tensioning bolt	-	I
196	-	Threaded plug - 300 Nm (221 ft lbf)	-	J
199	-	Allen screw - 20 Nm (15 ft lbf)	-	K
587	-	Screw HATCON - 22 Nm (16 ft lbf)	-	L

Comments for Page: Tightening torques

(L)OCAL REMARKS

A | Allen key size 22

B | Socket spanner size 46

C | Allen key size 17

D | Socket spanner size 41

E | Allen key size 12

F | Allen key size 14

G | Socket spanner size 22

H | Allen key size 5

I | Torque wrench or Power wrench size 55

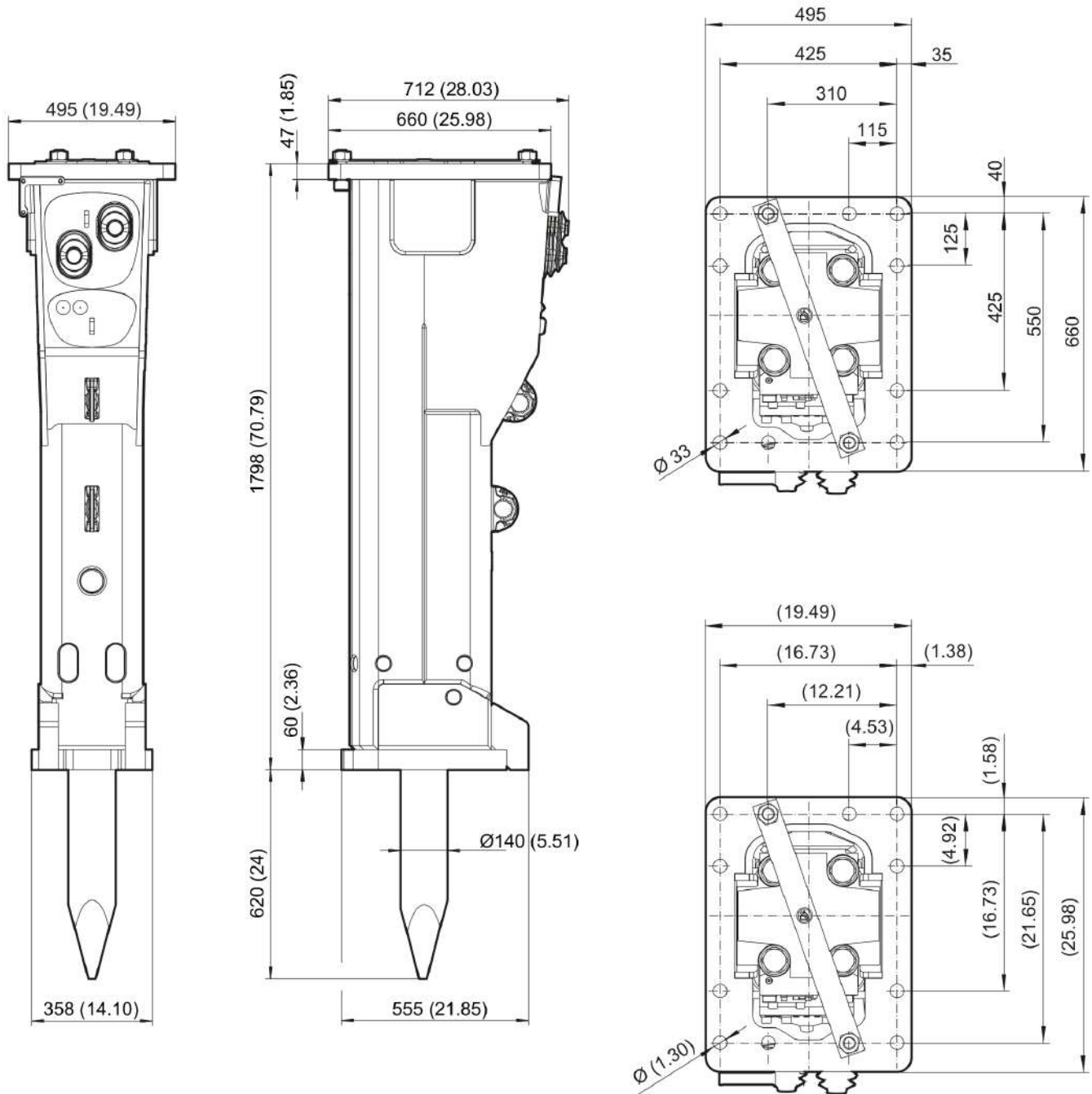
1. Pretighten the tensioning bolts to 500 Nm (369 ft lbf), proceeding in a crosswise fashion,
2. then tighten each tensioning bolt through 120° (2 sides of hexagonal head) in a crosswise fashion,
3. finally tighten each tensioning bolt again through 150° (2.5 sides of hexagonal head) in a crosswise fashion.

J | Socket spanner size 30

K | Allen key size 6

L | Security bit HATCON

Mechanical Dimensions



Refer to the DocMine web page for most up-to-date information. The printed information might be outdated.
Wed Sep 07 07:12:06 UTC 2022

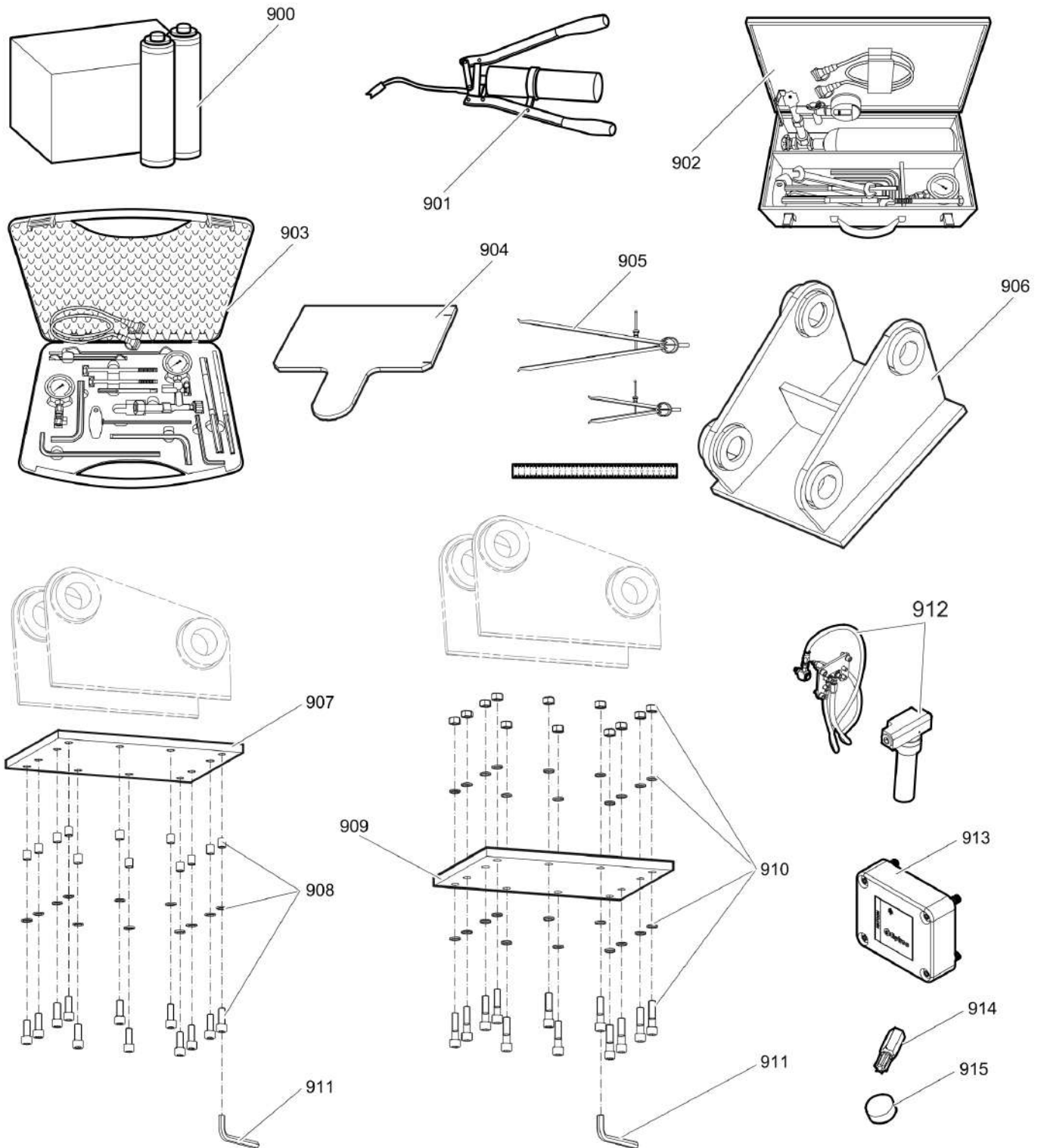
This page intentionally left blank

Options / accessories Hydraulic hoses

**NO EXPLODED VIEW
AVAILABLE
FOR THIS BOM**

Item	Part No.	Name	Qty	L
Not Shown	-	Hydraulic hoses	-	
-	3363087015	Hydraulic hose with flange, I.D. 25 (1"), flange SAE 1 1/4" - 6000 PSI / JIC 1 5/8", length 2300 mm (91 in.)	2	
-	3363087016	Hydraulic hose with flange, I.D. 25 (1"), flange SAE 1 1/4" - 6000 PSI / JIC 1 5/8", length 2800 mm (110 in.)	2	
Not Shown	-	Accessories to the hydraulic hoses (for two hoses)	-	
-	3360106074	Allen screw	8	
-	3363089476	Seal	2	
-	3363066963	Plug, M14 x 1.5 mm	4	

Options / accessories Optional equipment



Refer to the DocMine web page for most up-to-date information. The printed information might be outdated.
Wed Sep 07 07:12:08 UTC 2022

Item	Part No.	Name	Qty	L
900	3363122356	BIO CHISEL PASTE CARTRIDGE, 12 x 550 g (1.2 lbs)	1	
900	3363091200	CHISEL PASTE CARTRIDGE, 12 x 500 g (1.1 lbs)	1	
901	3363034567	GREASE PUMP	1	
902	3363491004	CHARGING BOX with nitrogen cylinder, 2 l, 0.43 gal (0.53 US gal)	1	
903	3363117786	CHARGING BOX without nitrogen cylinder	1	
904	3363067413	TEST GAUGE LOWER WEAR BUSH	1	
905	3363094952	INSIDE CALLIPERS UPPER WEAR BUSH	1	
906		ADAPTER PLATE matching the carrier. Consult the authorized Customer Center/Dealer in your area.	1	
907	3363099799	BASE PALTE WITH THREADED INSERTS	1	
908	3363087303	BOLT KIT	1	
909	3363100697	BASE PLATE WITH THROUGH BORINGS	1	
910	3363094575	BOLT KIT	1	
911	3360209253	ALLEN KEY (19 mm)	1	
912	3363117805	Automatic lubrication system kit	1	A
913	3315442500	HATCON KIT 1 (3G)	1	B
913	3315442520	HATCON KIT 1 (LTE)	1	B
914	3315439105	SECURITY BIT HATCON	1	
915	3315439106	MAGNET HATCON	1	

Comments for Page: Optional equipment

A | ContiLube® II

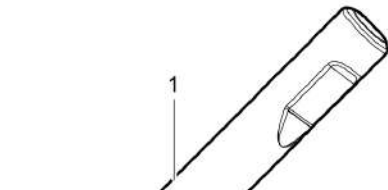
B | with item 914 and 915

Hydraulic breakers are factory equipped with threads for attaching Retrofit kit HATCON

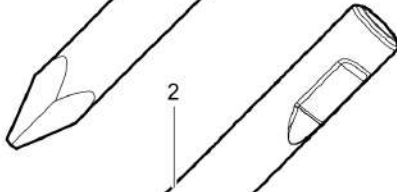
from s/n DEQ200910 - (EC 140T)

from s/n DEQ200909 - (EC 140T CL)

Options / accessories Working tools ClassicLine



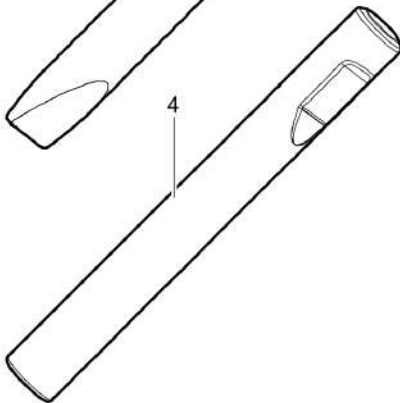
$\varnothing=140$ mm, L=620 mm, $L_T=1150$ mm, Wt=120.6 kg
 $\varnothing=5.51$ inch, L=24 inch, $L_T=45.28$, Wt=265.9 lb



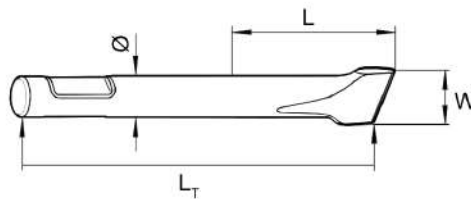
$\varnothing=140$ mm, W=140 mm, L=620 mm, $L_T=1150$ mm, Wt=125.7 kg
 $\varnothing=5.51$ inch, W=5.51 inch, L=24 inch, $L_T=45.28$, Wt=277.1 lb



$\varnothing=140$ mm, W=140 mm, L=620 mm, $L_T=1150$ mm, Wt=125.7 kg
 $\varnothing=5.51$ inch, W=5.51 inch, L=24 inch, $L_T=45.28$, Wt=277.1 lb

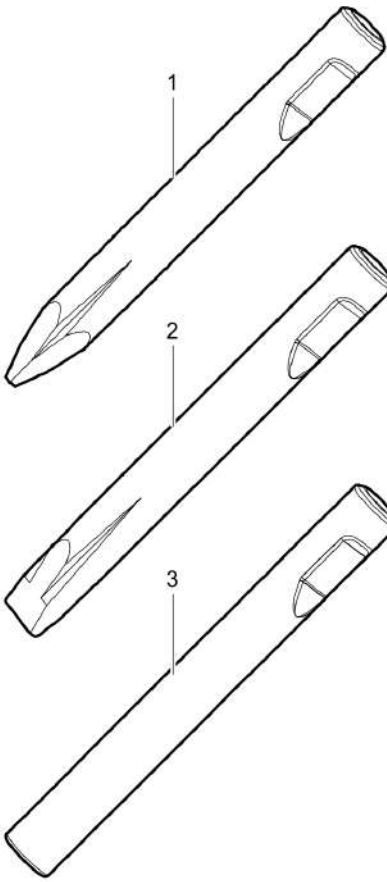


$\varnothing=140$ mm, L=620 mm, $L_T=1150$ mm, Wt=134.6 kg
 $\varnothing=5.51$ inch, L=24 inch, $L_T=45.28$, Wt=296.7 lb



Item	Part No.	Name	Qty	L
1	3363119675	Moil point	1	
2	3363119676	Chisel (cross)	1	
3	3363119677	Chisel (parallel)	1	
4	3363119678	Blunt tool	1	

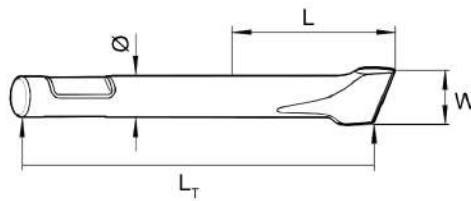
Options / accessories Working tools ProLine



$\text{Ø}=140 \text{ mm}$, $L=670 \text{ mm}$, $L_T=1200 \text{ mm}$, $\text{Wt}=125.5 \text{ kg}$
 $\text{Ø}=5.51 \text{ inch}$, $L=26 \text{ inch}$, $L_T=47.24$, $\text{Wt}=276.7 \text{ lb}$

$\text{Ø}=140 \text{ mm}$, $W=140 \text{ mm}$, $L=670 \text{ mm}$, $L_T=1200 \text{ mm}$, $\text{Wt}=130.4 \text{ kg}$
 $\text{Ø}=5.51 \text{ inch}$, $W=5.51 \text{ inch}$, $L=26 \text{ inch}$, $L_T=47.24$, $\text{Wt}=287.5 \text{ lb}$

$\text{Ø}=140 \text{ mm}$, $L=670 \text{ mm}$, $L_T=1200 \text{ mm}$, $\text{Wt}=140.7 \text{ kg}$
 $\text{Ø}=5.51 \text{ inch}$, $L=26 \text{ inch}$, $L_T=47.24$, $\text{Wt}=310.2 \text{ lb}$



Refer to the DocMine web page for most up-to-date information. The printed information might be outdated.

Wed Sep 07 07:12:10 UTC 2022

Item	Part No.	Name	Qty	L
1	3363118356	Moil point	1	
2	3363118358	Chisel (cross)	1	
3	3363104341	Blunt tool	1	

Any unauthorized use or copying of the contents or any part thereof is prohibited.
This applies in particular to trademarks, model denominations, part numbers, and drawings.