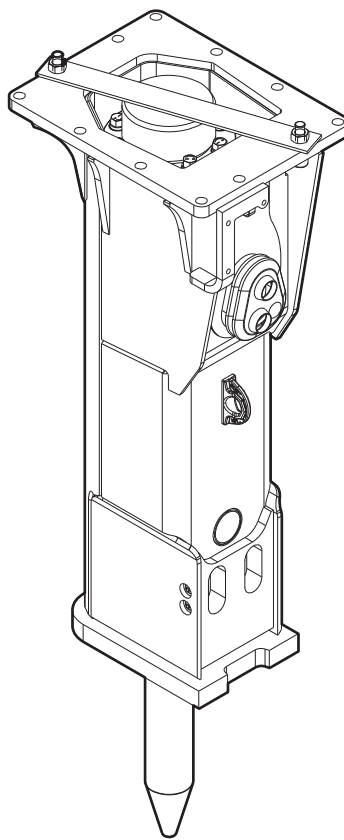


# EC 90T

---

## Spare parts list Hydraulic breakers

EC 90T s/n DEQ160674 -



# General information

This spare parts list applies to the following:

Part number	Description
3363117828	Hydraulic breaker EC 90T
3363124808	Hydraulic breaker EC 90T with HATCON (3G)
3363126890	Hydraulic breaker EC 90T with HATCON (LTE)

Use only authorized parts. Any damage or malfunction caused by the use of unauthorized parts is not covered by Warranty or Product Liability. Any unauthorized use or copying of the contents or any part thereof is prohibited. This applies in particular to trademarks, model denominations, part numbers, and drawings.

## Instructions for use

This spare parts list contains no safety regulations and is merely intended to assist in the ordering of spare parts.

For information about operating, servicing, or repairing, the relevant Safety and operating instructions must be consulted at all costs.

Please observe the safety instructions listed in the relevant Safety and operating instructions!

## Instructions for ordering

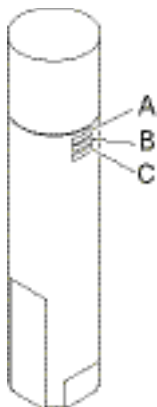
It is essential to indicate the serial number of the hydraulic attachment when ordering spare parts!

Please note the full identification number of your hydraulic attachment.

The code can be found on the main body.

Determine the quantity of individual parts which are required and need to be ordered. The order must indicate the following details:

- full identification code of the hydraulic attachment
- required quantity
- part number



- A. Type
- B. Serial number
- C. Main body number

**Service, repair and wear part kits**

Label kit ..... 1  
Kit list ..... 3

**Mechanical**

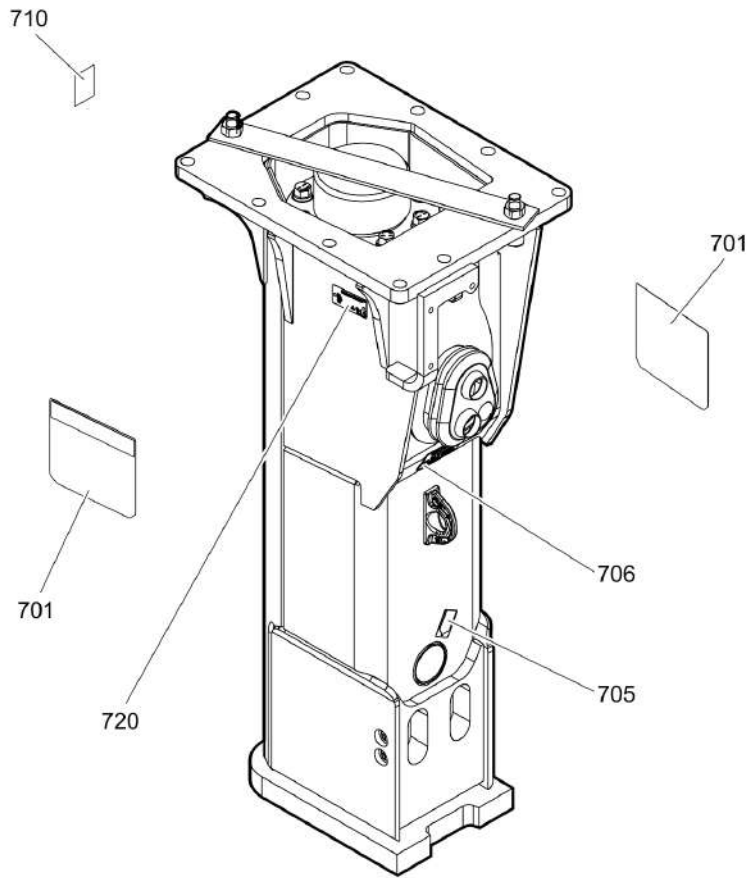
Hydraulic breaker ..... 5  
Percussion unit part 1: Cover ..... 7  
Percussion unit part 2: main body complete ..... 9  
HATCON ..... 11  
Tightening torques ..... 13  
Dimensions ..... 15

**Options / accessories**

Hydraulic hoses ..... 16  
Optional equipment ..... 19  
Working tools ..... 21

Service, repair and wear part kits Label kit

700			
701	705	706	710



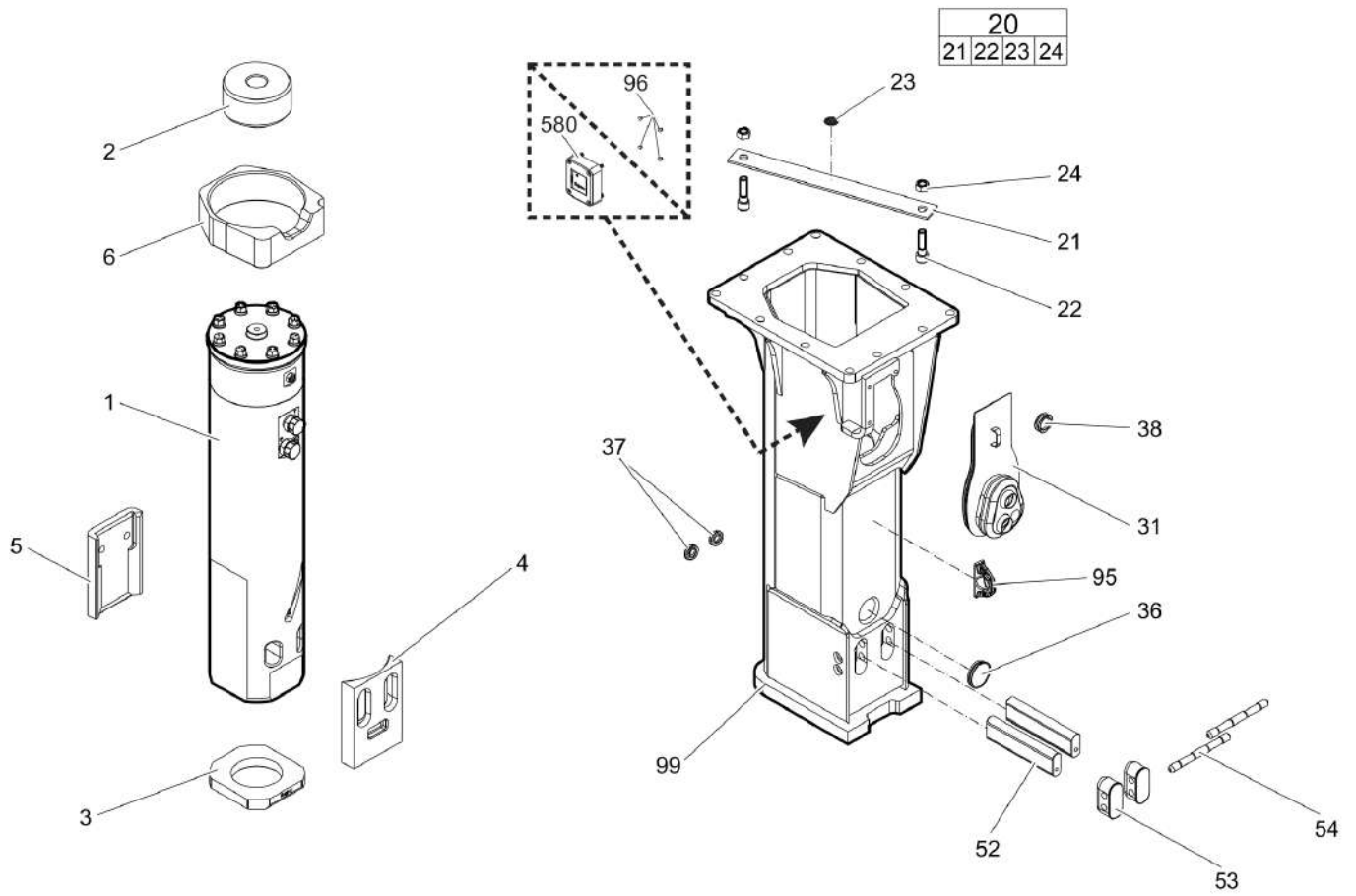
Item	Part No.	Name	Qty	L
700(701-710)	3363121466	Label kit	1	
701		Label "EC 90 Epiroc"	2	
705		LABEL -LUBRICATING SYMBOL	1	
706		Label - Gas pressure	2	
710		Sound power label	1	
720		Name plate - Consult the authorized Customer Center/Dealer in your area.	1	

Service, repair and wear part kits Kit list

**NO EXPLODED VIEW  
AVAILABLE  
FOR THIS BOM**

Item	Part No.	Name	Qty	L
KIT	3363117300	Seal kit	1	
182	3360478426	THREADED PLUG	1	
183	3360175125	O-RING	1	
201	3363118509	Seal	1	
202	3363118528	Seal	1	
203	3362266789	Seal	1	
204	3363117079	Seal	1	
205	3363117081	Back-up ring	1	
206	3363118510	Seal	1	
307	3363118529	Seal	1	
308	3363119325	Seal	2	
310	3362266792	Wiper	1	
315	3360314551	O-ring	2	

Mechanical Hydraulic breaker



Refer to the DocMine web page for most up-to-date information. The printed information might be outdated.

Wed Aug 31 09:21:31 UTC 2022



Item	Part No.	Name	Qty	L
1		Percussion unit	1	A
2	3363115961	Elastic pad	1	
3	3363115964	Shock absorber	1	
4	3363115963	Guide plate	1	
5	3363117825	Guide plate	1	
6	3363117824	Guide ring	1	
20(21-24)	3363083731	Transport safety device complete	1	
21		Transport safety device	1	
22	3360026786	Allen screw	2	
23	3363091872	Label transport safety device	1	
24	3360103251	Nut	2	
31	3363115979	Cover	1	
36	3362267893	Plug	1	
37	3362267897	Plug	2	
38	3363105987	Plug	1	
52	3363114486	Retainer bar	2	
53	3363114673	Plug	2	
54	3363114461	Bolt	2	
95	3363111993	Lifting eye	1	B
96	3315439145	PROTECTIVE PLUG HATCON	4	C
99	3363117836	Breaker box	1	D
580		HATCON	1	E

Comments for Page: Hydraulic breaker

A | see separate chapter

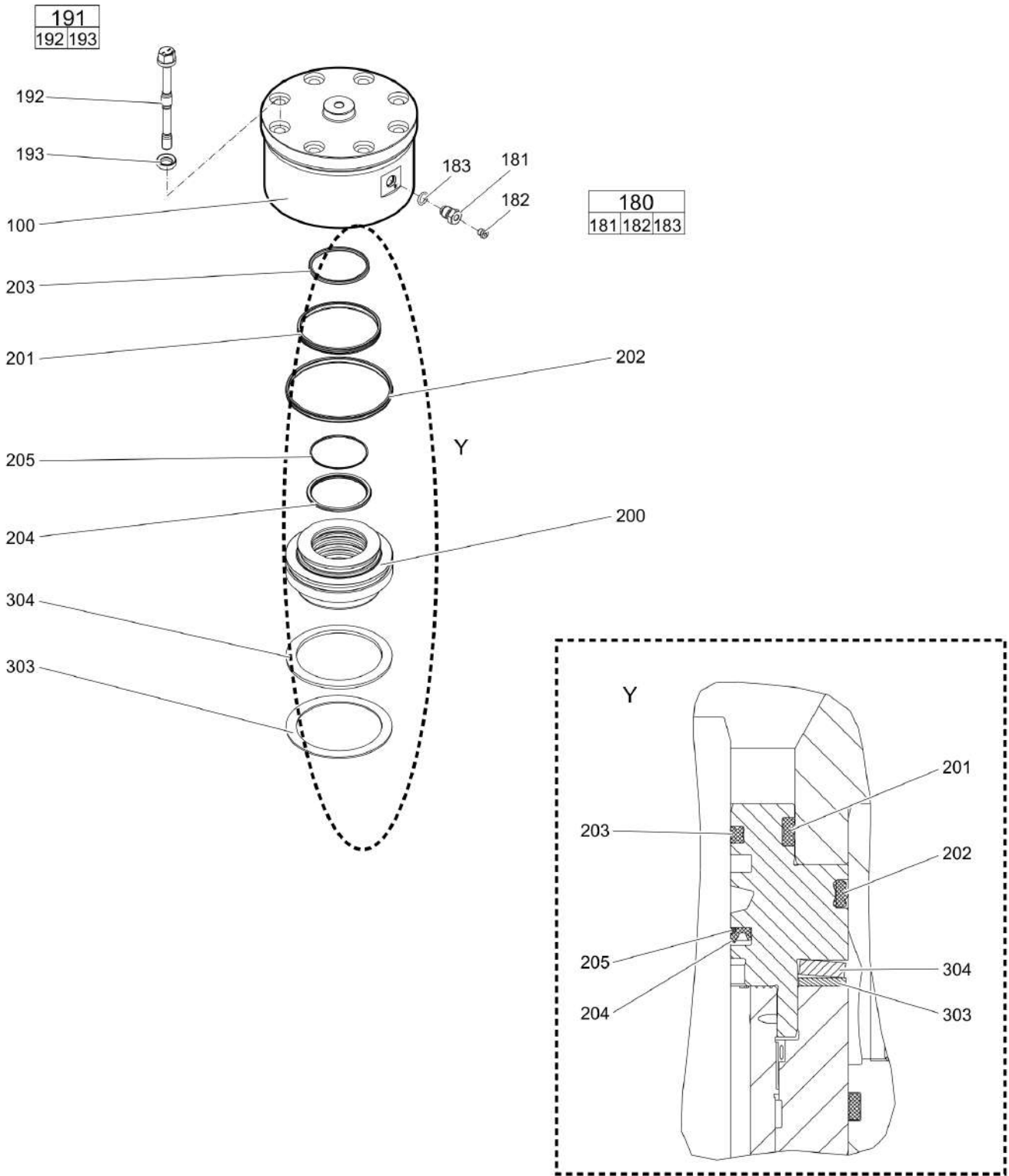
B | professional welding process necessary

C | only for hydraulic breakers without HATCON

D | with item 95 and 96

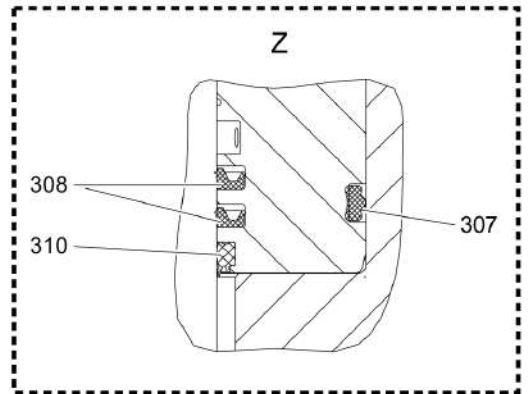
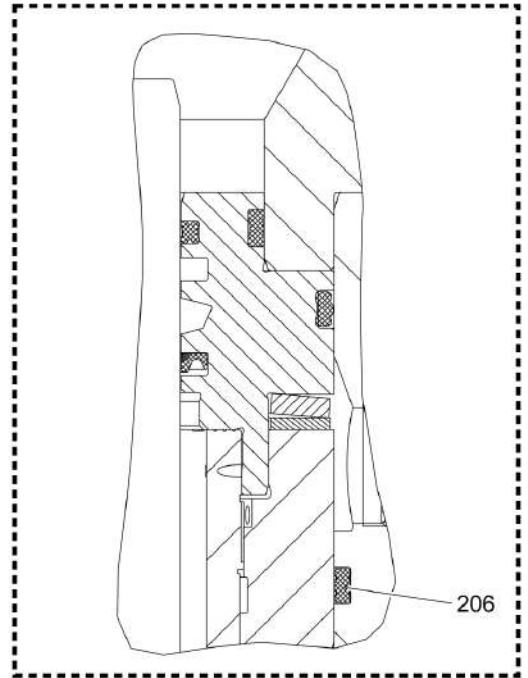
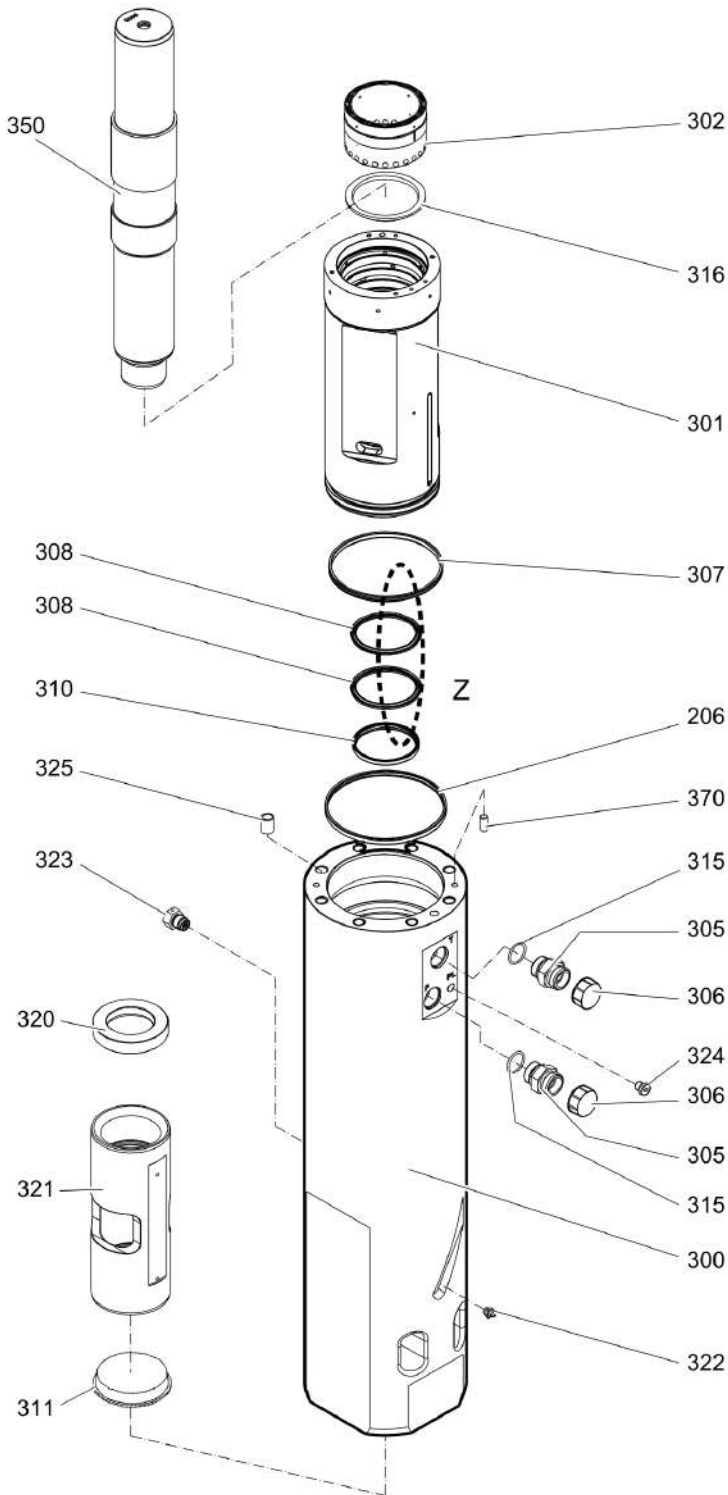
E | only for hydraulic breakers with HATCON / see separate chapter

Mechanical Percussion unit part 1: Cover



Item	Part No.	Name	Qty	L
100	3363115638	Cover	1	
180(181-183)	3363087286	FILLING VALVE, complete	1	
181		FILLING VALVE	1	
182	3360478426	THREADED PLUG	1	
183	3360175125	O-RING	1	
191(192-193)	3363117301	Bolt complete	8	
192		Bolt	1	
193	3363115694	Washer	1	
200	3363115659	Seal bush	1	
201	3363118509	Seal	1	
202	3363118528	Seal	1	
203	3362266789	Seal	1	
204	3363117079	Seal	1	
205	3363117081	Back-up ring	1	
303	3363117062	Disk	1	
304	3363117083	Plate spring	1	

Mechanical Percussion unit part 2: main body complete



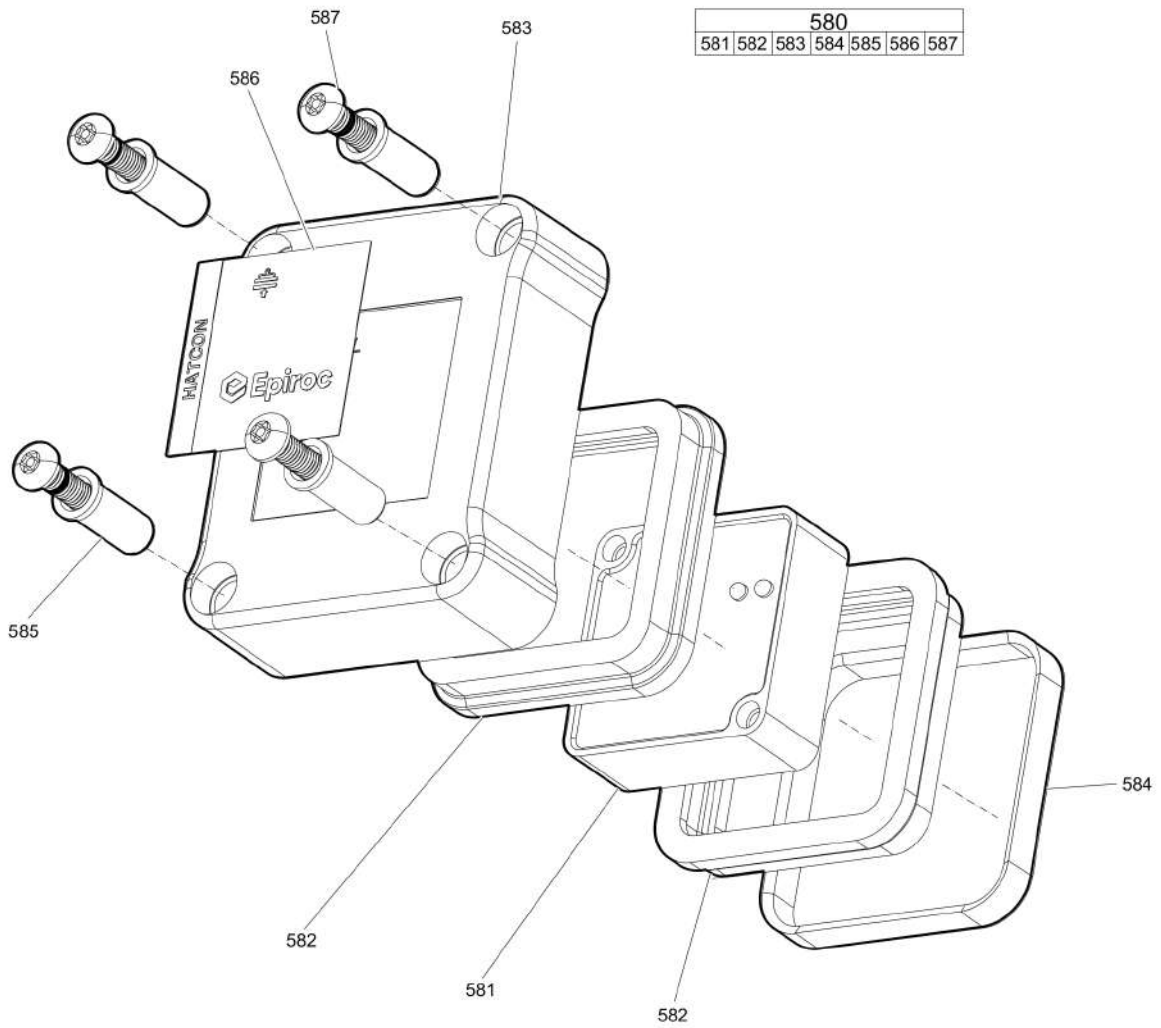
Item	Part No.	Name	Qty	L
206	3363118510	Seal	1	
300	3363117070	Main body	1	A
301	3363118530	Cylinder bush	1	B
302	3363118752	Main control valve	1	
305	3360478190	Fitting	2	
306	3361353487	Cap	2	
307	3363118529	Seal	1	
308	3363119325	Seal	2	
310	3362266792	Wiper	1	
311	3362266790	Protective cap	1	
315	3360314551	O-ring	2	
316	3363118511	Ring	1	
320	3363117056	Impact ring	1	
321	3363118770	Wear bush	1	
322	3360433774	GREASE NIPPLE	1	
323	3363109435	Non return valve, G1/2 in.	1	
324	3363066963	Plug, M14 x 1.5 mm	1	
325	3360186601	Threaded insert	8	
350	3363117299	Percussion piston	1	
370	3360106758	Lock pin	1	

Comments for Page: Percussion unit part 2: main body complete

A | with item 320 - 325

B | with item 316

Mechanical HATCON



Item	Part No.	Name	Qty	L
580(581-587)		HATCON	1	A
581		TRACKING MODULE HATCON	1	
582	3315439130	DAMPER HATCON	2	
583	3315439110	HOUSING TYPE 1 HATCON	1	
584	3315439140	LOCK RING HATCON	1	
585	3315439120	SLEEVE HATCON	4	
586	3315439100	PRODUCT LABEL HATCON	1	
587	3315442600	SCREW HATCON	4	

Comments for Page: HATCON

A | part number see chapter "Optional equipment"

Mechanical Tightening torques

NO EXPLODED VIEW  
AVAILABLE  
FOR THIS BOM



Item	Part No.	Name	Qty	L
181	-	Filling valve - 130 Nm (96 ft lbf)	-	A
182	-	Threaded plug - 20 Nm (15 ft lbf)	-	B
192	-	Bolt -	-	C
305	-	Fitting - 120 Nm (89 ft lbf)	-	D
323	-	Non-return valve - 200 Nm (148 ft lbf)	-	E
587	-	Screw HATCON - 22 Nm (16 ft lbf)	-	F

Comments for Page: Tightening torques

A | Socket spanner size 22

B | Allen key size 5

C | Torque wrench or Power wrench size 24

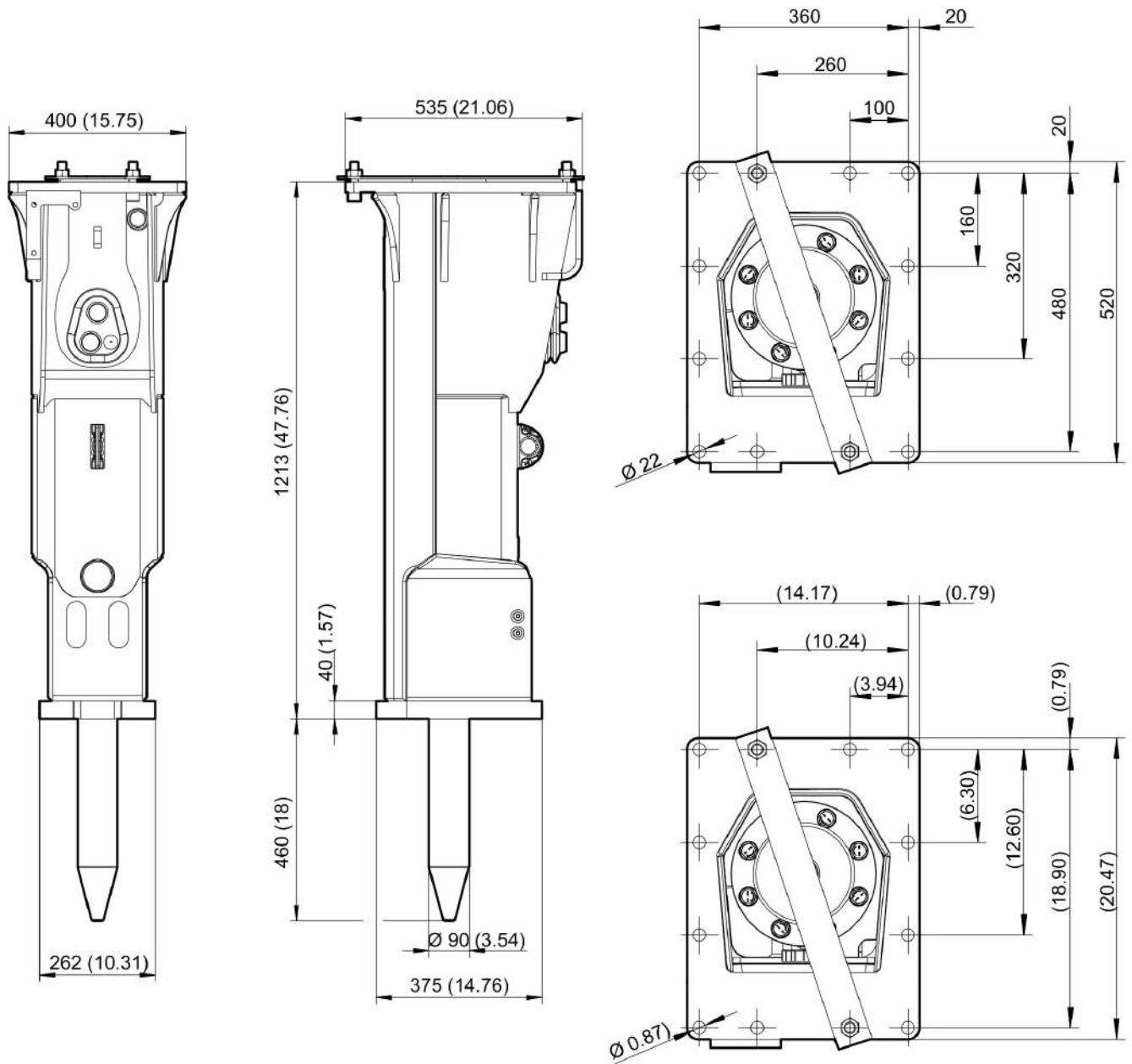
1. Pre-tighten the bolts to 100 Nm (74 ft lbf), proceeding in a crosswise fashion,
2. pre-tighten the bolts to 100 Nm (74 ft lbf) again, proceeding in a crosswise fashion,
3. retighten each bolt through 30° (1/2 side of hexagonal head) in a crosswise fashion,
4. retighten each bolt through 30° (1/2 side of hexagonal head) in a crosswise fashion.

D | Open-end wrench size 41

E | Socket wrench size 27

F | Security bit HATCON

Mechanical Dimensions



Refer to the DocMine web page for most up-to-date information. The printed information might be outdated.  
 Wed Aug 31 09:21:39 UTC 2022

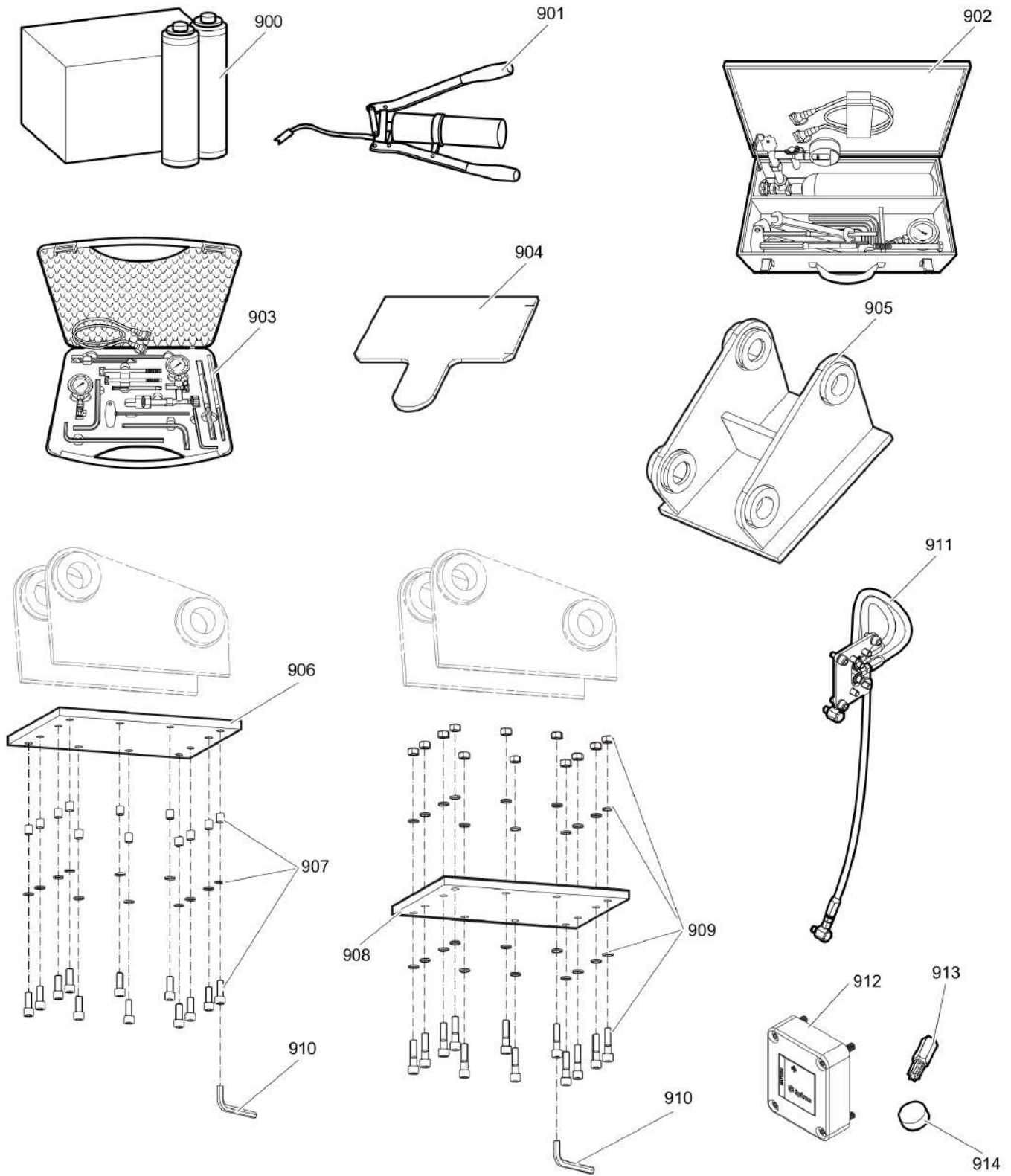
This page intentionally left blank

Options / accessories Hydraulic hoses

**NO EXPLODED VIEW  
AVAILABLE  
FOR THIS BOM**

Item	Part No.	Name	Qty	L
-	3360332294	HYDRAULIC HOSE, I.D. 20 (0.79 in.), both ends M36 x 2 mm conical seal 24°, length 2,300 mm (90.5 in.)	2	
-	3363085947	HYDRAULIC HOSE, I.D. 20 (0.79 in.), both ends M36 x 2 mm conical seal 24°, length 2,800 mm (110.2 in.)	2	

Options / accessories Optional equipment



Refer to the DocMine web page for most up-to-date information. The printed information might be outdated.  
Wed Aug 31 09:21:39 UTC 2022

Item	Part No.	Name	Qty	L
900	3363122356	BIO CHISEL PASTE CARTRIDGE, 12 x 550 g (1.2 lbs)	1	
900	3363091200	CHISEL PASTE CARTRIDGE, 12 x 500 g (1.1 lbs)	1	
901	3363034567	GREASE PUMP	1	
902	3363491004	CHARGING BOX with nitrogen cylinder, 2 l, 0.43 gal (0.53 US gal)	1	
903	3363117786	CHARGING BOX without nitrogen cylinder	1	
904	3363033491	TEST GAUGE LOWER WEAR BUSH	1	
905		ADAPTER PLATE matching the carrier. Consult the authorized Customer Center/Dealer in your area.	1	
906	3363099797	BASE PLATE WITH THREADED INSERTS	1	
907	3363094537	BOLT KIT	1	
908	3363100695	BASE PLATE WITH THROUGH BORINGS	1	
909	3363094574	BOLT KIT	1	
910	3360209253	ALLEN KEY (19 mm)	1	
911	3363117805	Automatic lubrication system kit	1	A
912	3315442500	HATCON KIT 1 (3G)	1	B
912	3315442520	HATCON KIT 1 (LTE)	1	A
913	3315439105	SECURITY BIT HATCON	1	
914	3315439106	MAGNET HATCON	1	

Comments for Page: Optional equipment

A | ContiLube® II

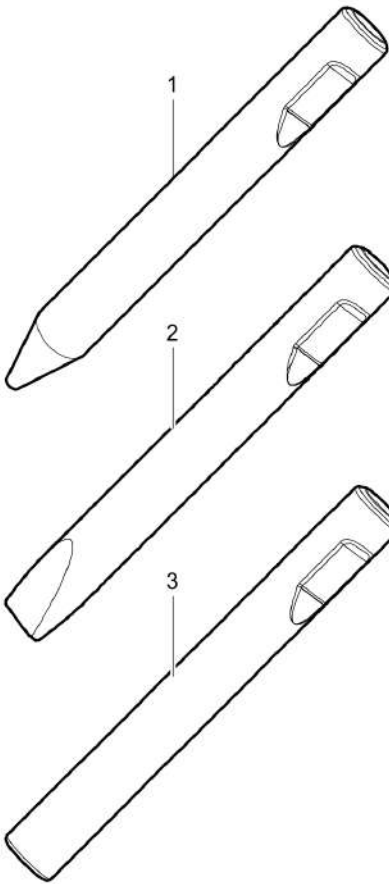
B | with item 913 and 914

Hydraulic breakers are factory equipped with threads for attaching Retrofit kit HATCON

from s/n DEQ201264 - (EC 90T)

from s/n DEQ201262 - (EC 90T CL)

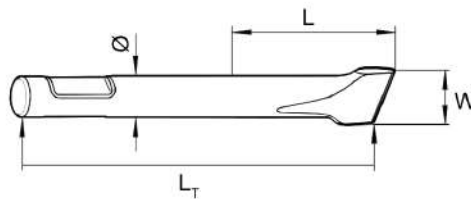
## Options / accessories Working tools



Ø=90 mm, L=460 mm, LT =835 mm, Wt=37.1 kg  
 Ø=3.54 inch, L=18 inch, LT=32.87 inch, Wt=81.8 lb

Ø=90 mm, W=90 mm, L=460 mm, LT=835 mm, Wt=38.8 kg  
 Ø=3.54 inch, W=3.54 inch, L=18 inch, LT=32.87 inch, Wt=85.6 lb

Ø=90 mm, L=460 mm, LT=835 mm, Wt=40.4 kg  
 Ø=3.54 inch, L=18 inch, LT=32.87 inch, Wt=89.1 lb



Refer to the DocMine web page for most up-to-date information. The printed information might be outdated.

Wed Aug 31 09:21:42 UTC 2022



Item	Part No.	Name	Qty	L
1	3363119017	Moil point	1	
2	3363119018	Chisel (cross)	1	
3	3363119015	Blunt tool	1	





Any unauthorized use or copying of the contents or any part thereof is prohibited.  
This applies in particular to trademarks, model denominations, part numbers, and drawings.