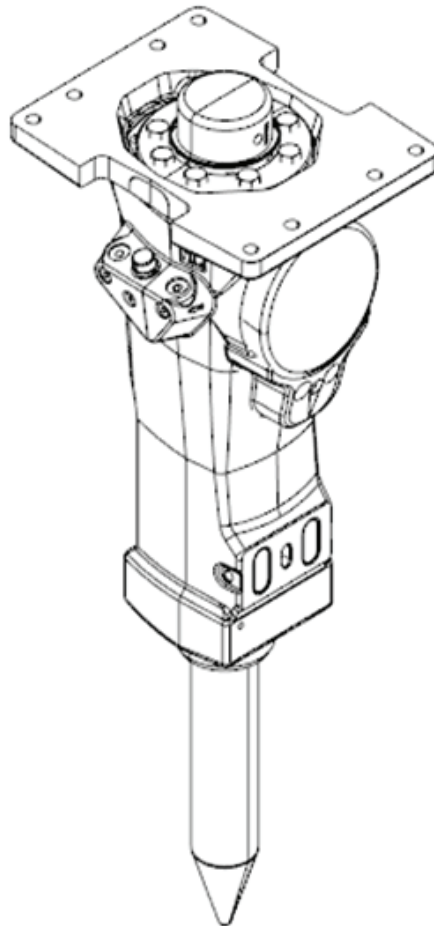


SB 452

Spare parts list Hydraulic breakers

SB 452 s/n BES043603 –



General information

This spare parts list applies to the following:

Part number	Description
8460030070	SB 452
8460030074	SB 452 HATCON
8460030077	SB 452 HATCON LTE

Use only authorized parts. Any damage or malfunction caused by the use of unauthorized parts is not covered by Warranty or Product Liability. Any unauthorized use or copying of the contents or any part thereof is prohibited. This applies in particular to trademarks, model denominations, part numbers, and drawings.

Instructions for use

This spare parts list contains no safety regulations and is merely intended to assist in the ordering of spare parts.

For information about operating, servicing, or repairing, the relevant Safety and operating instructions must be consulted at all costs.

Please observe the safety instructions listed in the relevant Safety and operating instructions!

Service, repair, and wear part kits

Label kit 1
Seal kit 3
Lower hammer part kit 5
Accumulator repair kit 7

Mechanical

Hydraulic breaker 9
HATCON (Horizontal) 13
Optional parts - Bushing oversize, complete 15
Optional parts - Restrictor, complete 17
Tightening torque 19
Dimensions 21

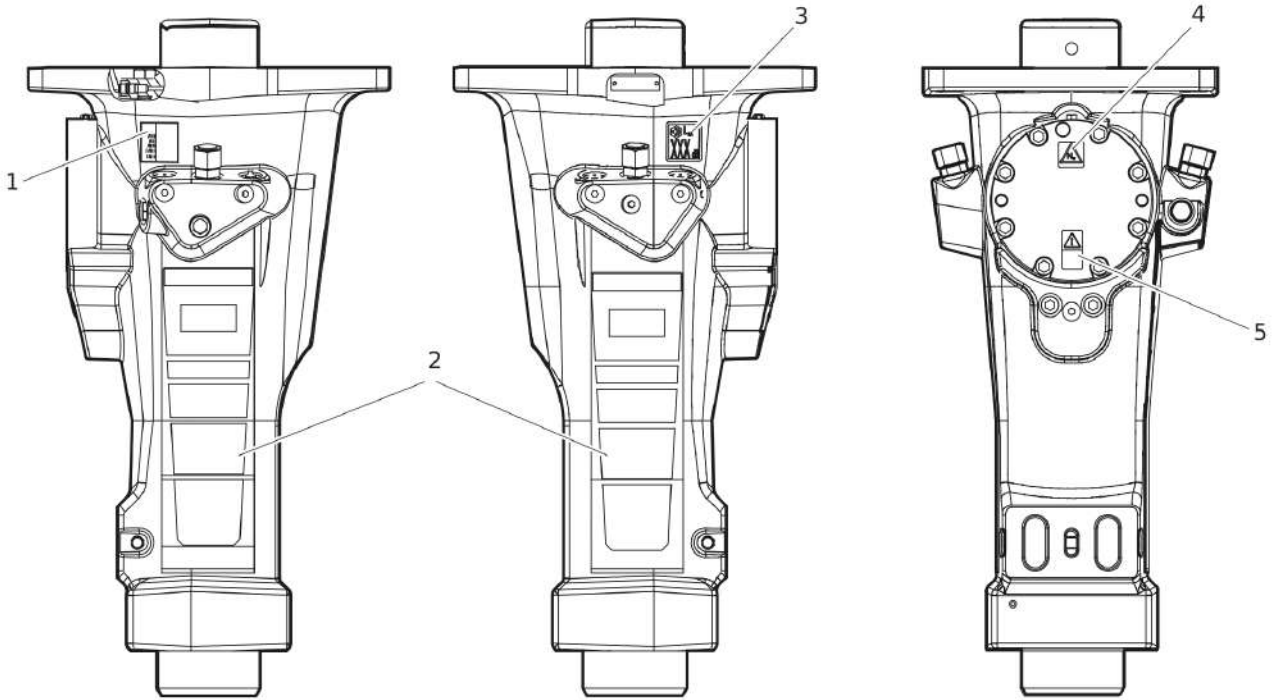
Options/accessories

Hydraulic hoses 22
Optional equipment 25
Working tools ClassicLine 27
Working tools ProLine 29

Annex

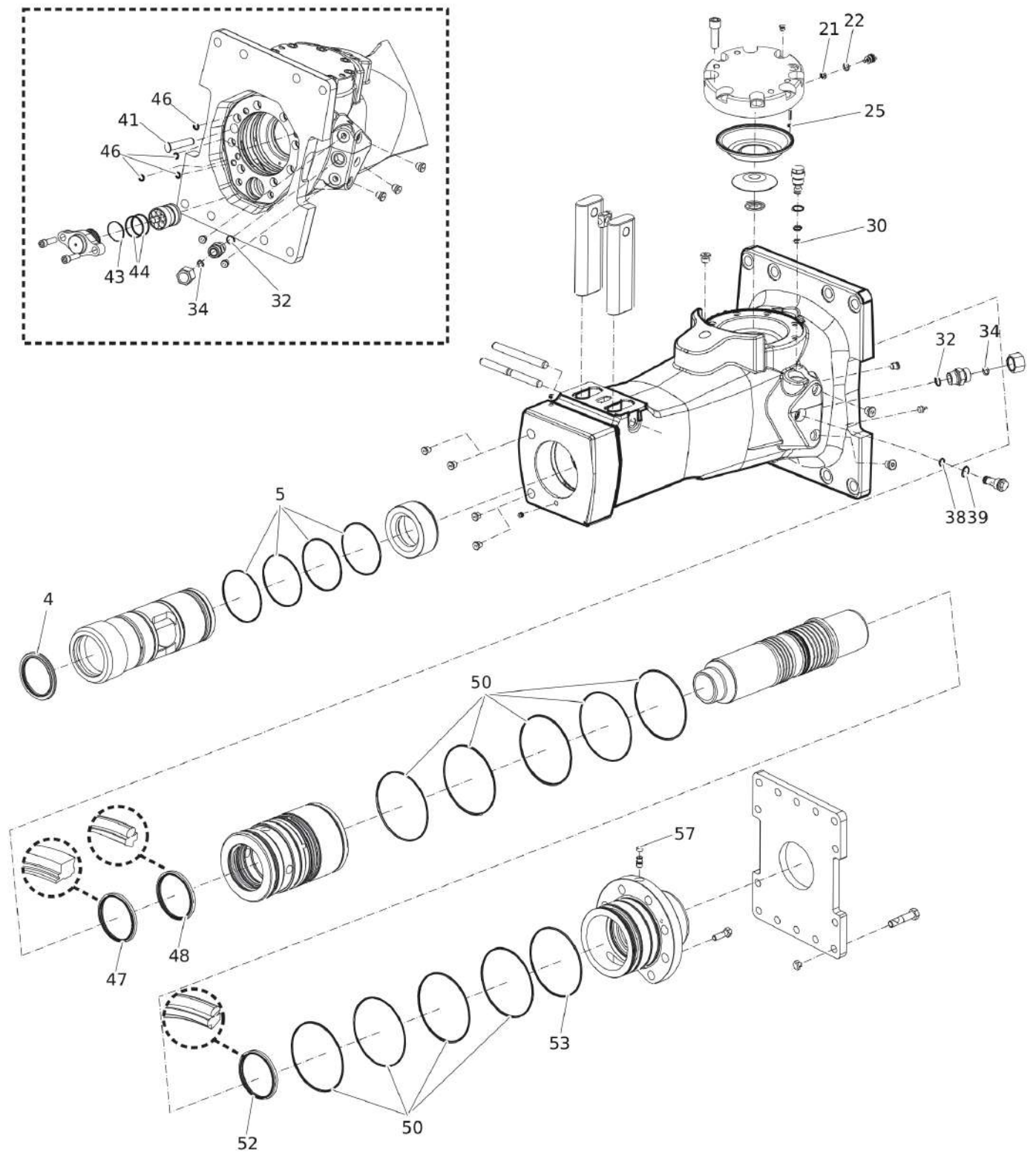
Environmental Product Compliance - REACH Declaration 31

Service, repair, and wear part kits Label kit



Item	Part No.	Name	Qty	L
KIT	3315312791	LABEL KIT	1	
1		AEM SIGN	1	
2		PRODUCT LABEL	2	
3		SOUND POWER LABEL	1	
4		SAFETY LABEL	1	
5		SAFETY LABEL	1	

Service, repair, and wear part kits Seal kit



Refer to the DocMine web page for most up-to-date information. The printed information might be outdated.

Mon Mar 20 12:08:26 UTC 2023

Item	Part No.	Name	Qty	L
KIT	3315312790	SEAL KIT	1	
4	3315353600	SCRAPER RING	1	
5	0663210619	O-RING	4	
21	3115329002	SEAL RING	1	
22	0663212000	O-RING	1	
25	0663211400	O-RING	1	
30	0661200401	BACK-UP RING	1	
32	0664000004	SEAL RING	2	
34	0663210217	O-RING	2	
38	0663210421	O-RING	1	
39	9125621100	O-RING	1	
41	3315336700	PLUG	1	
43	0663211491	O-RING	1	A
44	0663990026	SEAL RING	2	B
46	0665090014	SEAL RING	4	
47	0665909964	WIPER	1	
48	0665070147	PISTON ROD SEAL	1	
50	0663990032	SEAL RING	9	
52	0665070148	PISTON ROD SEAL	1	
53	0663210417	O-RING	1	C
57	3315280800	VALVE RUBBER	1	

Comments for Page: Seal kit

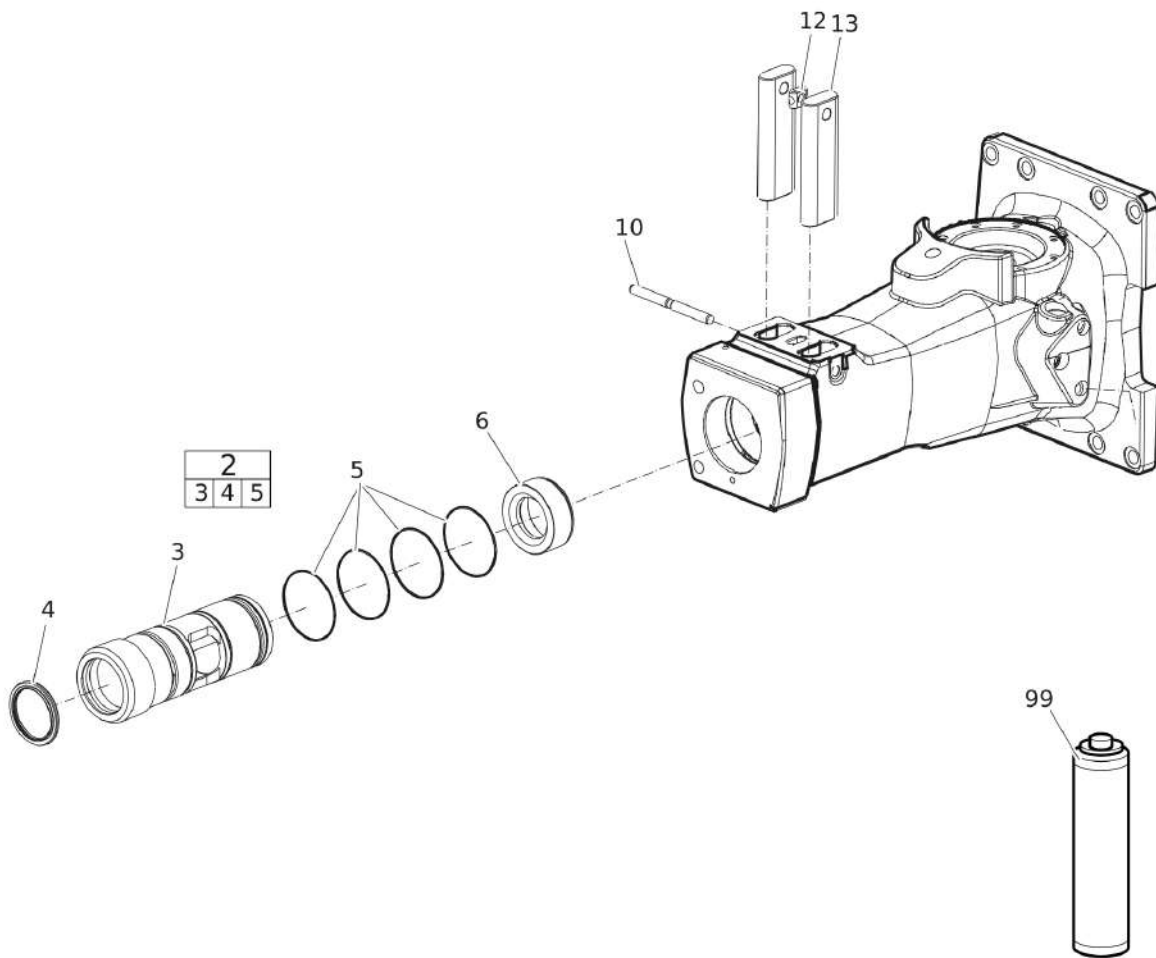
(L)OCAL REMARKS

A | 47.29 x 2.62 mm Polyuretan (1.86 x 0.10 in.)

B | 51.3 x 54.3 x 3 mm (2.02 x 2.14 x 0.12 in.)

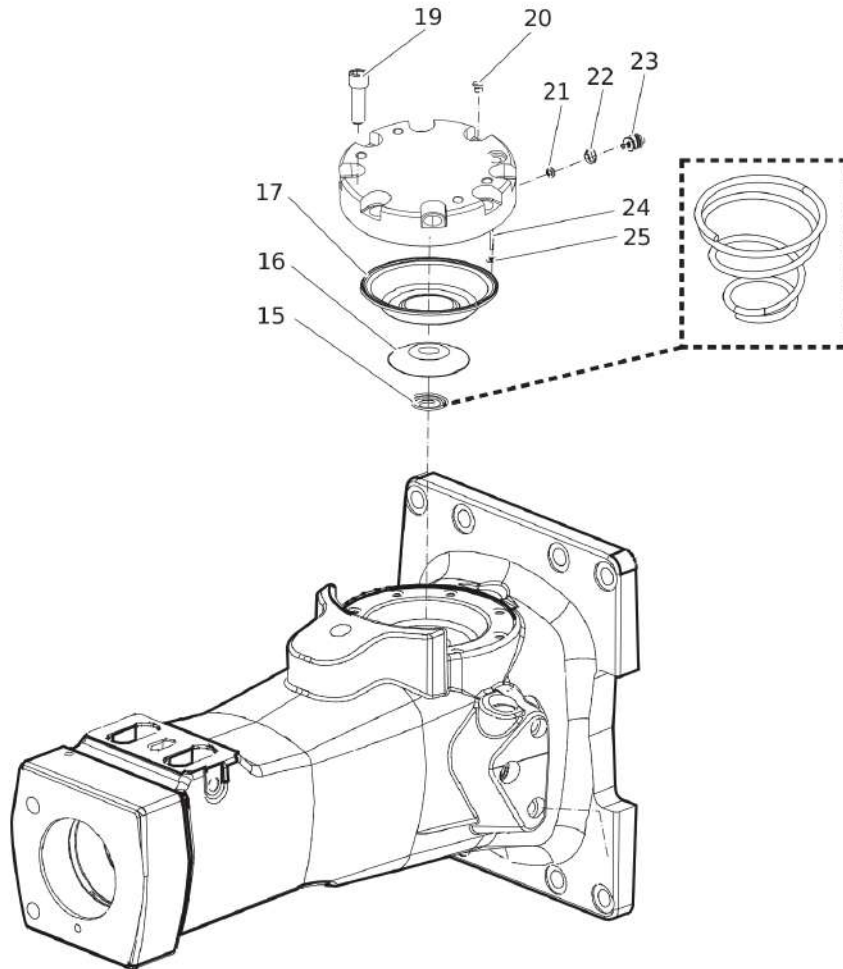
C | 145.72 x 2.62 mm (5.7 x 0.10 in.) 70 shore

Service, repair, and wear part kits Lower hammer part kit



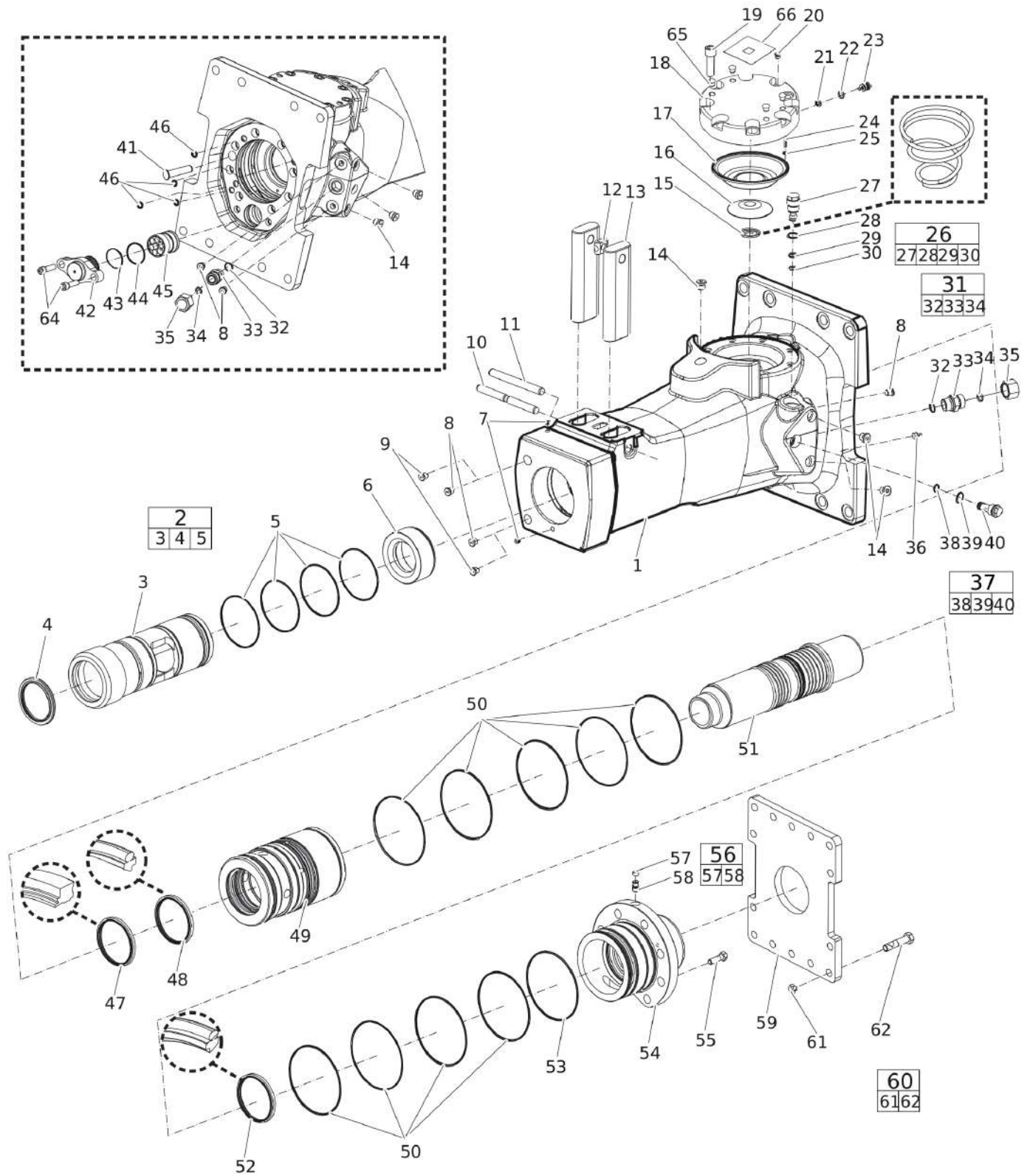
Item	Part No.	Name	Qty	L
KIT	3315312490	LOWER HAMMER PART KIT	1	
2(3-5)	3315312480	BUSHING, complete	1	
3		BUSHING, Ø 129 mm (Ø 5.08 in.)	1	
4	3315353600	SCRAPER RING	1	
5	0663714700	O-RING	4	
6	3315312300	STOP RING	1	
10	3315155800	LOCK PIN	1	
12	3315141900	LOCK BUFFER	1	
13	3315155700	RETAINER BAR	2	
99	3315038100	BIO CHISEL PASTE CARTRIDGE, 1 x 400 g (0.88 lbs)	1	

Service, repair, and wear part kits Accumulator repair kit



Item	Part No.	Name	Qty	L
KIT	3315303190	ACCUMULATOR REPAIR KIT	1	
15	3315303500	COIL SPRING	1	
16	3315303201	DIAPHRAGM SUPPORT	1	
17	3315416300	DIAPHRAGM	1	
19	0211196544	HEXAGON SOCKET SCREW	8	
20	0686371805	PLUG	1	
21	3115329002	SEAL RING	1	
22	0663212000	O-RING	1	
23	3315366000	VALVE	1	
24	0101414000	PIN	1	
25	0663211400	O-RING	1	

Mechanical Hydraulic breaker



Refer to the DocMine web page for most up-to-date information. The printed information might be outdated.

Mon Mar 20 12:08:30 UTC 2023

Item	Part No.	Name	Qty	L
1		BREAKER BODY	1	
2(3-5)	3315312480	BUSHING, complete	1	A
3		BUSHING, Ø 129 mm (Ø 5.08 in.)	1	
4	3315353600	SCRAPER RING	1	
5	0663714700	O-RING	4	
6	3315312300	STOP RING	1	
7	0686100009	PLUG	2	
8	0686644207	PLUG	5	B
9	3315395200	WATER NOSSLE	2	
10	3315155800	LOCK PIN	1	
11	0108169129	SPRING PIN, option	1	
12	3315141900	LOCK BUFFER	1	
13	3315155700	RETAINER BAR	2	
14	0686371801	PLUG	6	C
15	3315303500	COIL SPRING	1	
16	3315303201	DIAPHRAGM SUPPORT	1	
17	3315416300	DIAPHRAGM	1	
18	3315303100	DIAPHRAGM COVER	1	
19	0211196544	HEXAGON SOCKET SCREW	8	D
20	0686371805	PLUG	1	E
21	3115329002	SEAL RING	1	
22	0663212000	O-RING	1	
23	3315366000	VALVE	1	
24	0101414000	PIN	1	
25	0663211400	O-RING	1	
26(27-30)	3315365800	PRESSURE RELIEF VALVE, complete	1	F
27	-	PRESSURE RELIEF VALVE	1	
28	0663212141	O-RING	1	
29	0663210421	O-RING	1	
30	0661200401	BACK-UP RING	1	
31(32-34)	0580001845	FITTING, complete	1	G
32	0664000004	SEAL RING	2	
33		FITTING	1	
34	0663210217	O-RING	2	
35	3361353486	CAP	2	
36	3360433774	GREASE NIPPLE	1	
37(38-40)	3315369653	RESTRICTOR, complete	1	H

Refer to the DocMine web page for most up-to-date information. The printed information might be outdated.

Mon Mar 20 12:08:30 UTC 2023

Item	Part No.	Name	Qty	L
38	0663210421	O-RING	1	
39	0663212141	O-RING	1	
40		RESTRICTOR, standard Ø 7.5 mm (Ø 0.30 in.)	1	
41	3315336700	PLUG	1	
42	3315362820	VALVE COVER	1	
43	0663211491	O-RING	1	
44	0663990026	SEAL RING	2	
45	3315312100	CONTROL VALVE	1	
46	0665090014	SEAL RING	4	
47	0665909964	WIPER	1	
48	0665070147	PISTON ROD SEAL	1	
49	3315312000	LINER	1	
50	0663990032	SEAL RING	9	
51	3315311900	PISTON	1	
52	0665070148	PISTON ROD SEAL	1	
53	0663210417	O-RING	1	
54	3315312600	BACK HEAD	1	
55	0147155503	SCREW, HEX HEAD	8	
56(57-58)	3315244881	CHECK VALVE, complete	1	
57	3315280800	VALVE RUBBER	1	
58		CHECK VALVE	1	
59	3315307700	BASE PLATE	1	
60(61-62)	3315323890	SCREW SET	1	
61		NUT, M20	8	
62		SCREW, M20 x 90 mm	8	
64	0211110495	HEXAGON SOCKET SCREW	2	
65	3315439145	PROTECTIVE PLUG HATCON	4	
66		HATCON LABEL	1	

Comments for Page: Hydraulic breaker

(L)OCAL REMARKS

A | For oversize bushings, see section "Bushing oversize, complete".

B | VSTI G 1/4 - ED

C | VSTI G 3/8- ED

D | Screw with extra high fatigue strength.

E | VSTI R 1/8- ED

Refer to the DocMine web page for most up-to-date information. The printed information might be outdated.

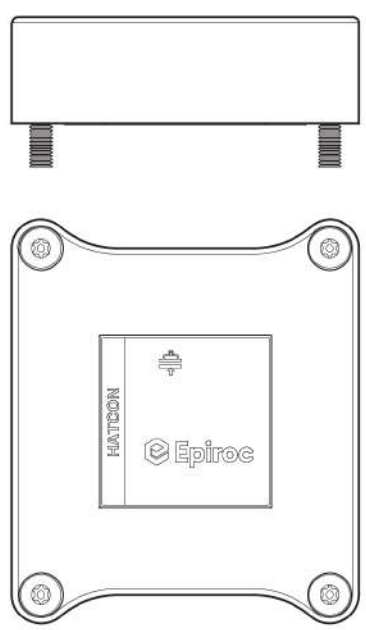
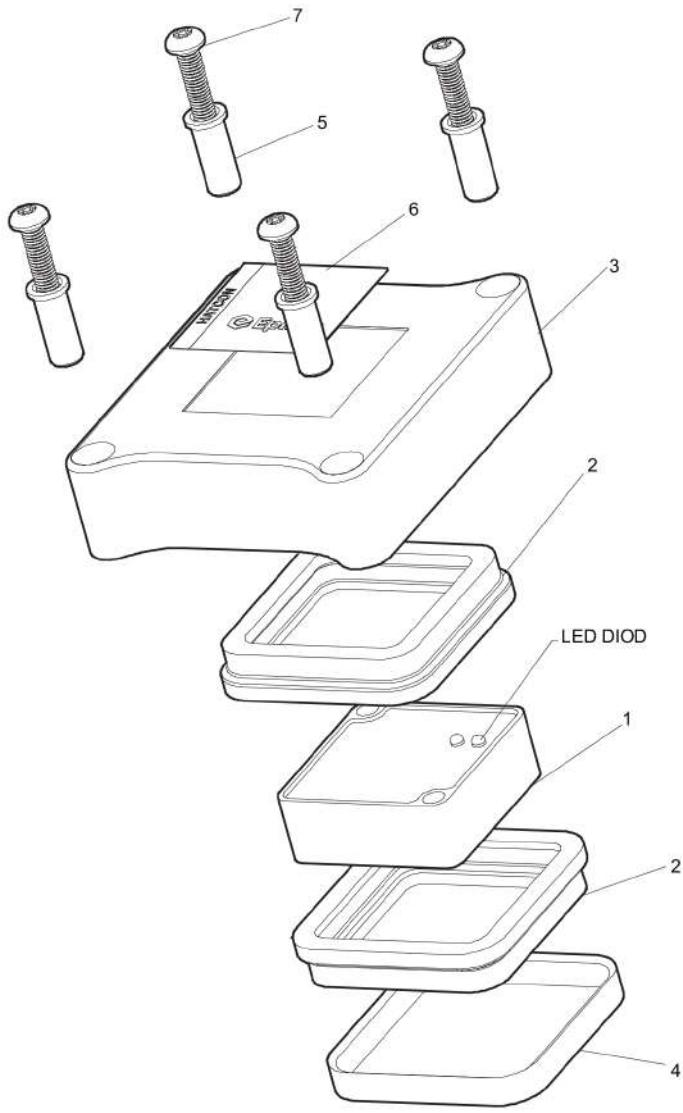
Mon Mar 20 12:08:33 UTC 2023

F | CAS No. see chapter "Environmental Product Compliance - REACH Declaration"

G | with one time item 32 and 34. There are two "Fitting, complete" on the machine.

H | For more restrictors, see section "Restrictors, complete".

Mechanical HATCON (Horizontal)

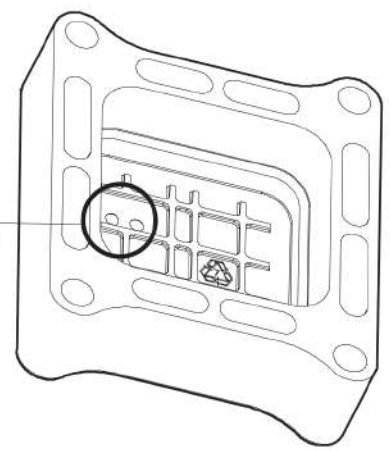


DETAIL A



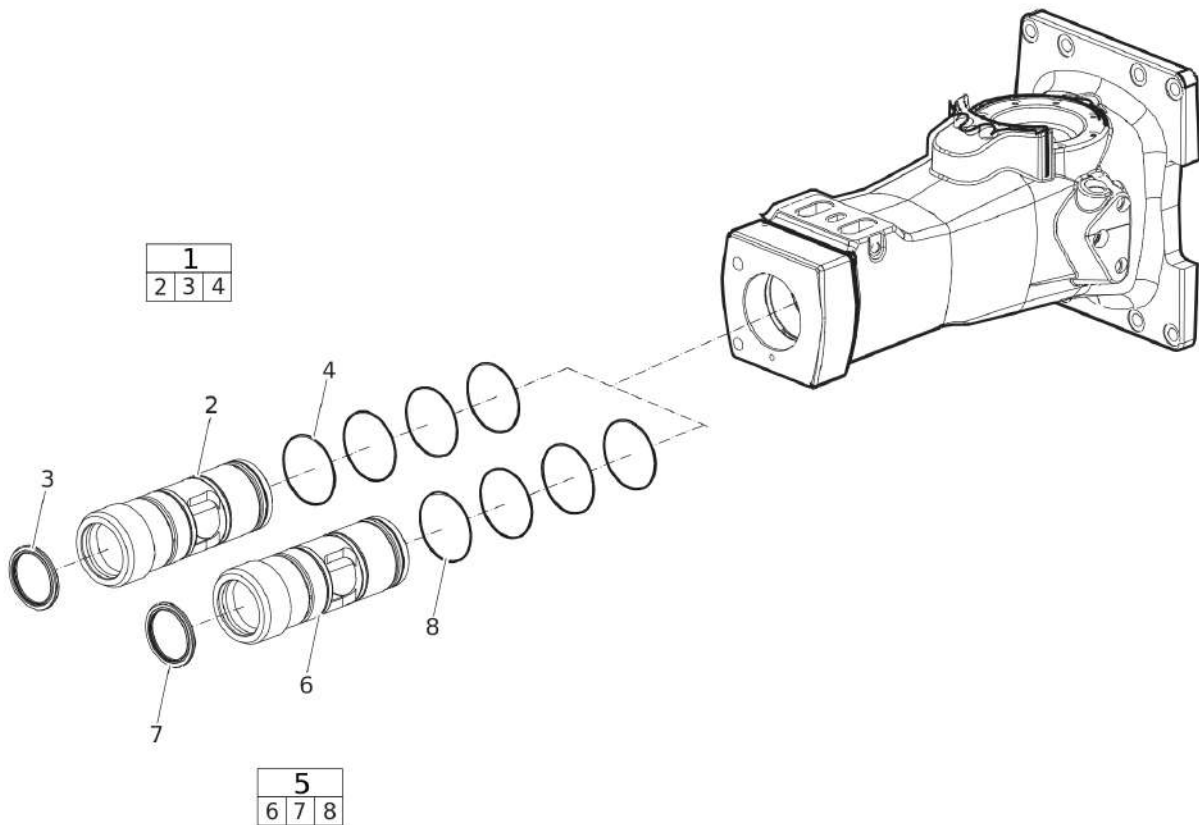
Horizontal mounted.
Match diods on POS.1 to
match the recess marked H on POS .3

SEE DETAIL A



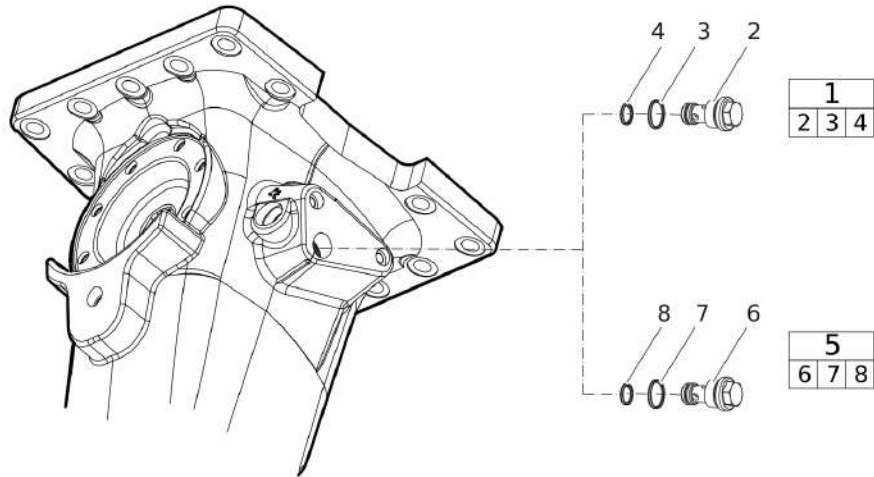
Item	Part No.	Name	Qty	L
1		TRACKING MODULE HATCON	1	
2	3315439130	DAMPER HATCON	2	
3	3315439118	HOUSING TYPE 4 HATCON	1	
4	3315439140	LOCK RING HATCON	1	
5	3315439120	SLEEVE HATCON	4	
6	3315439100	PRODUCT LABEL HATCON	1	
7	3315442600	SCREW HATCON	4	

Mechanical Optional parts - Bushing oversize, complete



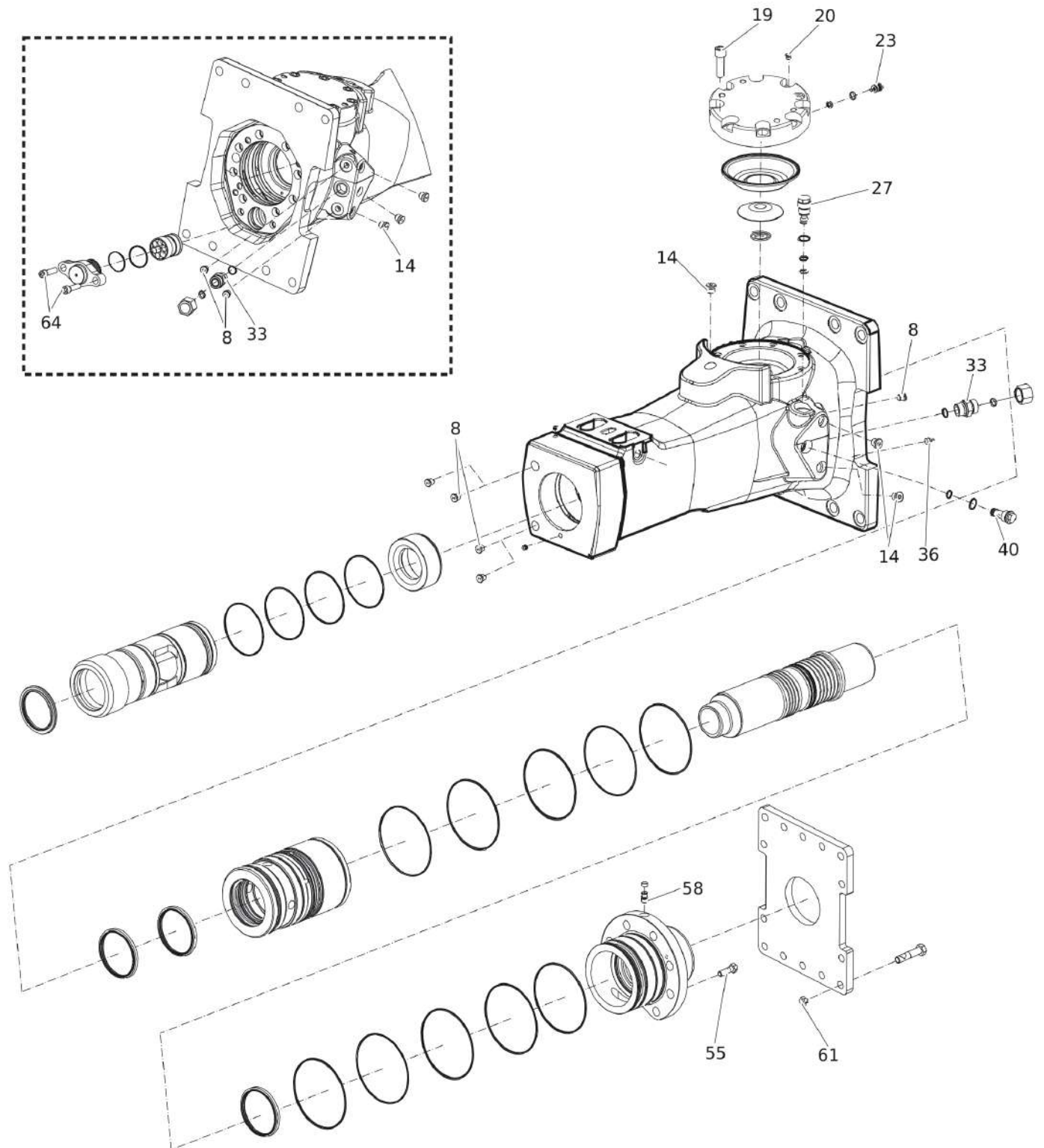
Item	Part No.	Name	Qty	L
1(2-4)	3315312460	BUSHING, complete	1	
2		BUSHING, Ø 130.5 mm (Ø 5.14 in.)	1	
3	3315353600	SCRAPER RING	1	
4	0663210823	O-RING	4	
5(6-8)	3315312463	BUSHING, complete	1	
6		BUSHING, Ø 132 mm (Ø 5.20 in.)	1	
7	3315353600	SCRAPER RING	1	
8	0663210823	O-RING	4	

Mechanical Optional parts - Restrictor, complete



Item	Part No.	Name	Qty	L
1(2-4)	3315369635	RESTRICTOR, complete	1	
2		RESTRICTOR, Ø 6.0 mm (Ø 0.24 in.)	1	
3	0663212141	O-RING	1	
4	0663210421	O-RING	1	
5(6-8)	3315369645	RESTRICTOR, complete	1	
6		RESTRICTOR, Ø 6.7 mm (Ø 0.26 in.)	1	
7	0663212141	O-RING	1	
8	0663210421	O-RING	1	

Mechanical Tightening torque



Refer to the DocMine web page for most up-to-date information. The printed information might be outdated.

Mon Mar 20 12:08:33 UTC 2023

Item	Part No.	Name	Qty	L
8	-	PLUG - 30 Nm (22 ft lbf)	-	A
14	-	PLUG - 80 Nm (59 ft lbf)	-	A
19	-	HEXAGON SOCKET SCREW - 300 Nm (221 ft lbf)	-	B
20	-	PLUG - 20 Nm (15 ft lbf)	-	
23	-	VALVE - 27 Nm (20 ft lbf)	-	
27	-	PRESSURE RELIEF VALVE - 80 Nm (59 ft lbf)	-	
33	-	FITTING - 120 Nm (89 ft lbf)	-	
36	-	GREASE NIPPLE - 30 Nm (22 ft lbf)	-	
40	-	RESTRICTOR - 80 Nm (59 ft lbf)	-	
55	-	HEXAGON HEAD SCREW - 315 Nm (232 ft lbf)	-	B
58	-	CHECK VALVE - 30 Nm (22 ft lbf)	-	A
61	-	NUT - 400 Nm (295 ft lbf)	-	B
64	-	HEXAGON SOCKET SCREW - 615 Nm (454 ft lbf)	-	B

Comments for Page: Tightening torque

LOCTITE is a registered trademark of Henkel Corporation. 243 is a trademark of Henkel Corporation.

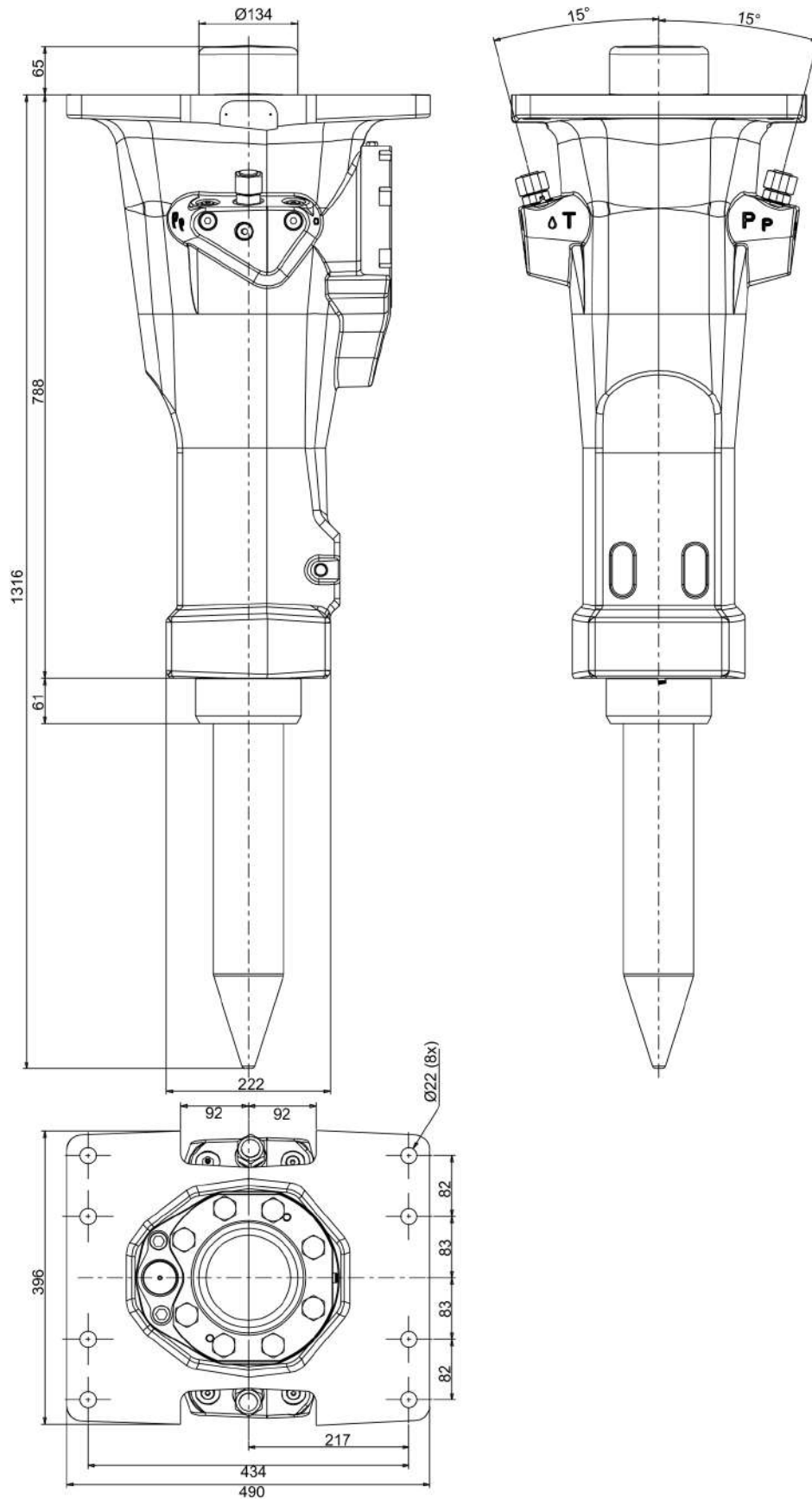
Molykote is a registered trademark of Dow Corning Corporation.

(L)OCAL REMARKS

A | LOCTITE® 243™

B | Molykote®

Mechanical Dimensions

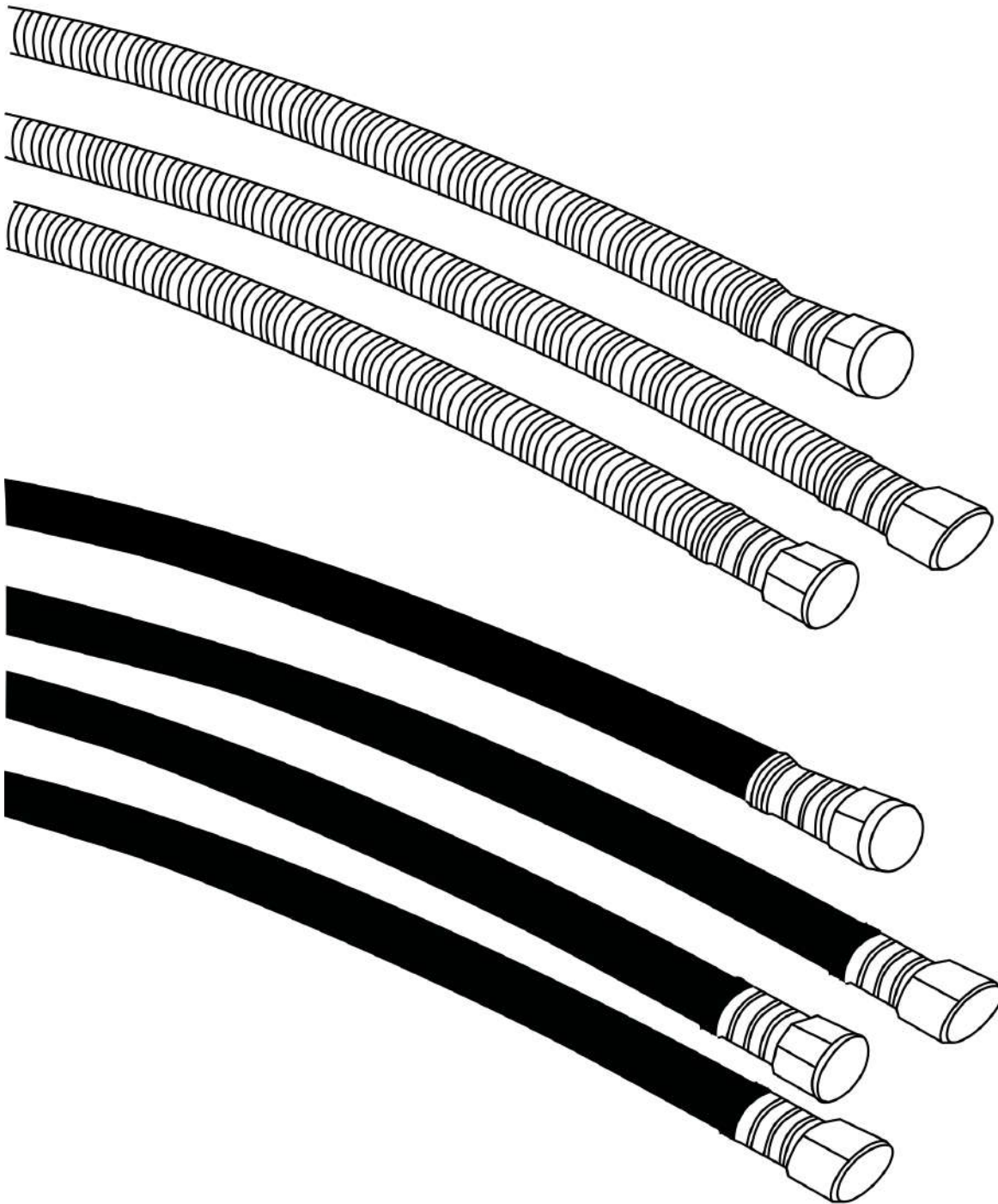


Refer to the DocMine web page for most up-to-date information. The printed information might be outdated.

Mon Mar 20 12:08:35 UTC 2023

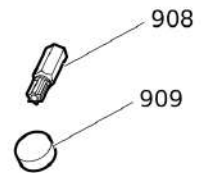
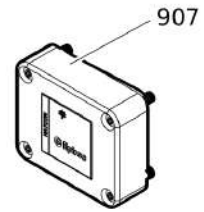
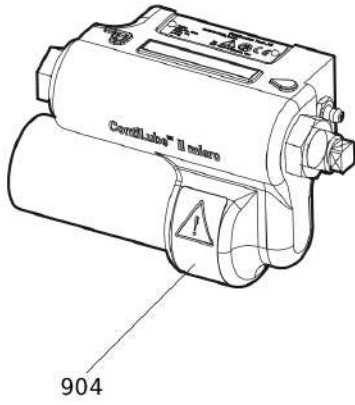
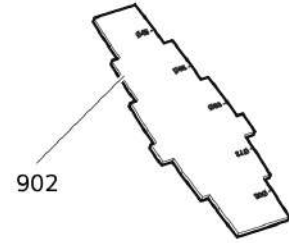
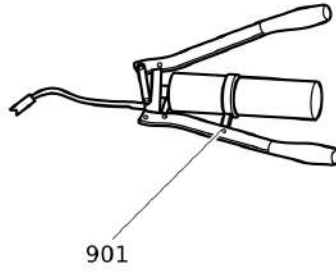
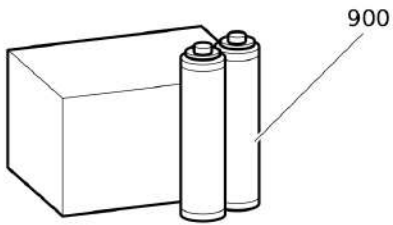
This page intentionally left blank

Options/accessories Hydraulic hoses



Item	Part No.	Name	Qty	L
	-	HEAVY DUTY CONNECTION HOSES	-	
-	3360995717	HYDRAULIC HOSE, both ends 18 L (M26 x 1.5) length 1500 mm (59 in.)	2	
-	3362235159	HYDRAULIC HOSE, both ends 18 L (M26 x 1.5) length 2000 mm (79 in.)	2	
-	3363083313	HYDRAULIC HOSE, both ends 18 L (M26 x 1.5) length 2400 mm (95 in.)	2	
-	3363115426	HYDRAULIC HOSE, both ends 18 L (M26x1.5) length 1750 mm (68 in.)	2	
	-	STANDARD CONNECTION HOSES	-	
-	3363491002	HYDRAULIC HOSE, both ends 18 L (M26x1.5) length 1500 mm (59 in.)	2	
-	3363115423	HYDRAULIC HOSE, both ends 18 L (M26x1.5) length 1750 mm (68 in.)	2	
-	3363115424	HYDRAULIC HOSE, both ends 18 L (M26x1.5) length 2000 mm (79 in.)	2	
-	3363115425	HYDRAULIC HOSE, both ends 18 L (M26x1.5) length 2400 mm (95 in.)	2	
-	3363098019	ADDITIONAL FITTING KIT	1	

Options/accessories Optional equipment




Item	Part No.	Name	Qty	L
900	3363122354	BIO CHISEL PASTE, 20 x 150 g (0.33 lbs)	1	
900	3363122355	BIO CHISEL PASTE CARTRIDGE FOR GREASE GUN, 12 x 400 g (0.88 lbs)	1	
-	3363122357	BIO CHISEL PASTE CONTAINER 15 kg (33 lbs)	1	
-	3363122358	BIO CHISEL PASTE CONTAINER 45 kg (99 lbs)	1	
901	0909107100	LUBRICAT.GUN	1	
902	3315353100	BUSHING WEAR CONTROLLER	1	
904	3315383190	CONTILUBE II MICRO	1	
905	3363094459	NIPPLE, for charging the accumulator	1	
-	3360920415	FILLING DEVICE, for accumulator	1	
-	3361329803	FILLING HOSE, for charging the accumulator	1	
907	3315442504	HATCON KIT 4 (3G)	1	A
907	3315442523	HATCON KIT 4 (LTE)	1	A
908	3315439105	SECURITY BIT HATCON	1	
909	3315439106	MAGNET HATCON	1	

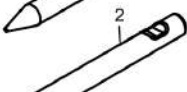
Comments for Page: Optional equipment

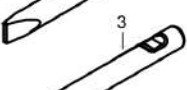
(L)OCAL REMARKS


A | If the diaphragm cover does not have the borings for attaching HATCON you must also order a new diaphragm cover


Options/accessories Working tools ClassicLine

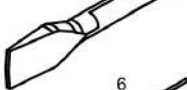
- 


L=465 mm, LT=840 mm, Wt=40 kg
L=18.3 inch, LT=33.1 inch, Wt=88 lb
- 


W=95 mm, L=465 mm, LT=840 mm, Wt=43 kg
W=3.7 inch, L=18.3 inch, LT=33.1 inch, Wt=95 lb
- 


L=465 mm, LT=840 mm, Wt=40 kg
L=18.3 inch, LT=33.1 inch, Wt=88 lb
- 


W=180 mm, L=425 mm, LT=800 mm, Wt=40 kg
W=7 inch, L=16.7 inch, LT=31.5 inch, Wt=88 lb
- 


W=180 mm, L=425 mm, LT=800 mm, Wt=40 kg
W=7 inch, L=16.7 inch, LT=31.5 inch, Wt=88 lb
- 

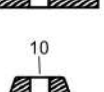
W=200 mm, L=435 mm, LT=850 mm, Wt=39 kg
W=7.9 inch, L=17.1 inch, LT=33.5 inch, Wt=86 lb
- 

W=200 mm, L= 435 mm, LT=850 mm, Wt=39 kg
W=7.9 inch, L=17.1 inch, LT=33.5 inch, Wt=86 lb
- 

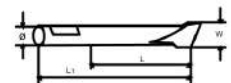
LT= 840 mm, Wt= 37 kg
LT=33.07 inch, Wt=82 lb
- 

W=Ø400 mm, , Wt= 80 kg
W=Ø15.75 inch, Wt= 176 kg
- 

W=Ø200 mm, Wt= 33 kg
W=Ø7.87 inch, Wt= 73 lb
- 

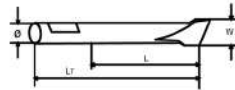
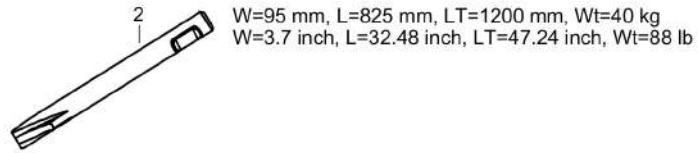
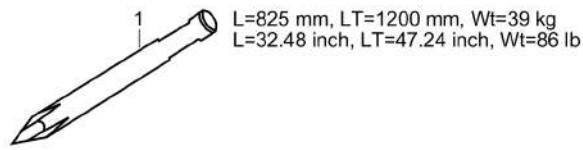
W= Ø150 mm, Wt=26 kg
W=Ø5.90 inch, Wt= 57 lb
- 

W=Ø190 mm, Wt=30 kg
W=Ø7.48 inch, Wt= 66 lb



Item	Part No.	Name	Qty	L
1	3083317700	MOIL POINT	1	
2	3083317800	CHISEL (cross)	1	
3	3083318800	BLUNT TOOL	1	
4	3083317900	WIDE CHISEL (cross)	1	
5	3083340936	WIDE CHISEL (parallel)	1	
6	3083319801	ASPHALT CUTTER (cross)	1	
7	3083319800	ASPHALT CUTTER (parallel)	1	
8	3315370405	SHAFT	1	
9	3315371200	TAMPING PAD (square)	1	
10	3315372000	POST DRIVER PAD (round)	1	
11	3315372600	PILE DRIVER PAD (round)	1	
12	3315373200	BUSHING PAD (round)	1	

Options/accessories Working tools ProLine



Item	Part No.	Name	Qty	L
1	3363120267	MOIL POINT (X-profile)	1	
2	3363120268	CHISEL (X-profile)	1	

Annex Environmental Product Compliance - REACH Declaration

NO EXPLODED VIEW
AVAILABLE
FOR THIS BOM

Item	Part No.	Name	Qty	L
26	-	Pressure relief valve, complete, Part No. 3315365800 - CAS No. 7439-92-1	-	

Comments for Page: Environmental Product Compliance - REACH Declaration

EU REACH Candidate List substances present in product listed above.

Any unauthorized use or copying of the contents or any part thereof is prohibited.
This applies in particular to trademarks, model denominations, part numbers, and drawings.