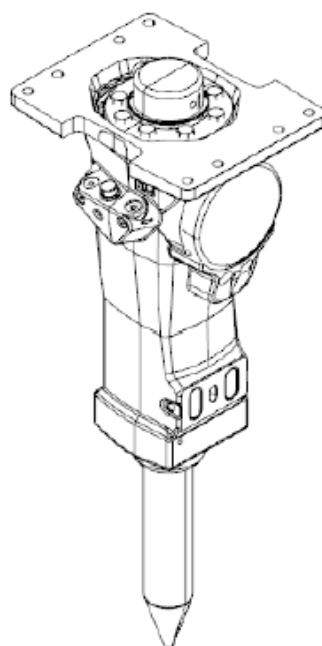


# SB 552

---

## Spare parts list Hydraulic breakers

SB 552 s/n BES043748 –



# General information

This spare parts list applies to the following:

Part number	Description
8460030080	SB 552
8460030084	SB 552 HATCON
8460030087	SB 552 HATCON LTE

Use only authorized parts. Any damage or malfunction caused by the use of unauthorized parts is not covered by Warranty or Product Liability. Any unauthorized use or copying of the contents or any part thereof is prohibited. This applies in particular to trademarks, model denominations, part numbers, and drawings.

## Instructions for use

This spare parts list contains no safety regulations and is merely intended to assist in the ordering of spare parts.

For information about operating, servicing, or repairing, the relevant Safety and operating instructions must be consulted at all costs.

Please observe the safety instructions listed in the relevant Safety and operating instructions!

**Service, repair, wear part kits**

Label kit ..... 1  
Lower hammer part kit .....3  
Accumulator repair kit ..... 5  
Seal kit ..... 7

**Mechanical**

Hydraulic breaker ..... 9  
HATCON (Horizontal) ..... 12  
Optional parts - Bushing oversize, complete ..... 15  
Optional parts - Restrictor, complete ..... 17  
Tightening torque ..... 19  
Dimensions (mm) ..... 21

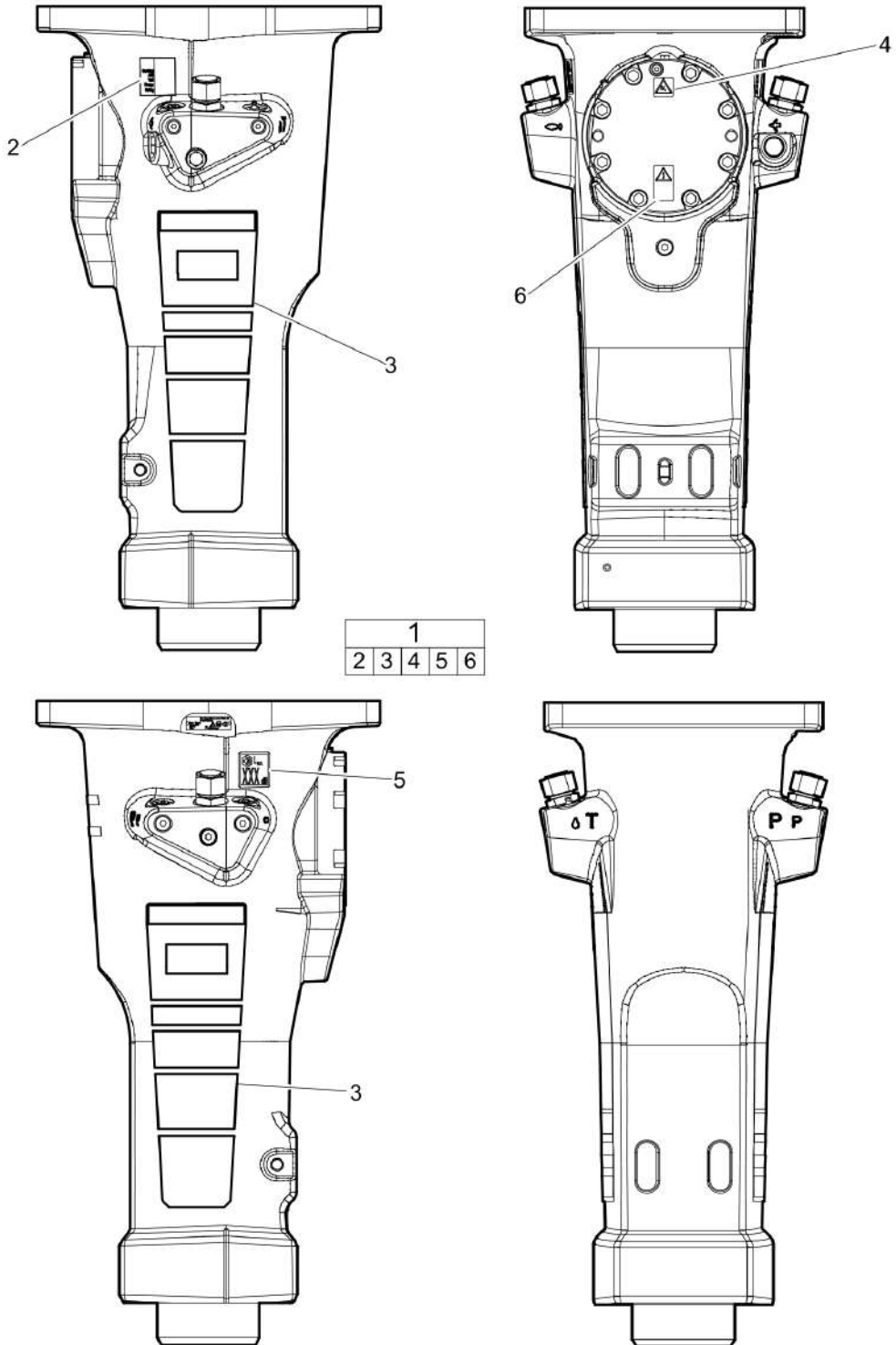
**Options/accessories**

Retrofit ..... 22  
Working tools ClassicLine ..... 25  
Working tools ProLine ..... 27  
Optional equipment ..... 29  
Hydraulic hoses ..... 31

**Annex**

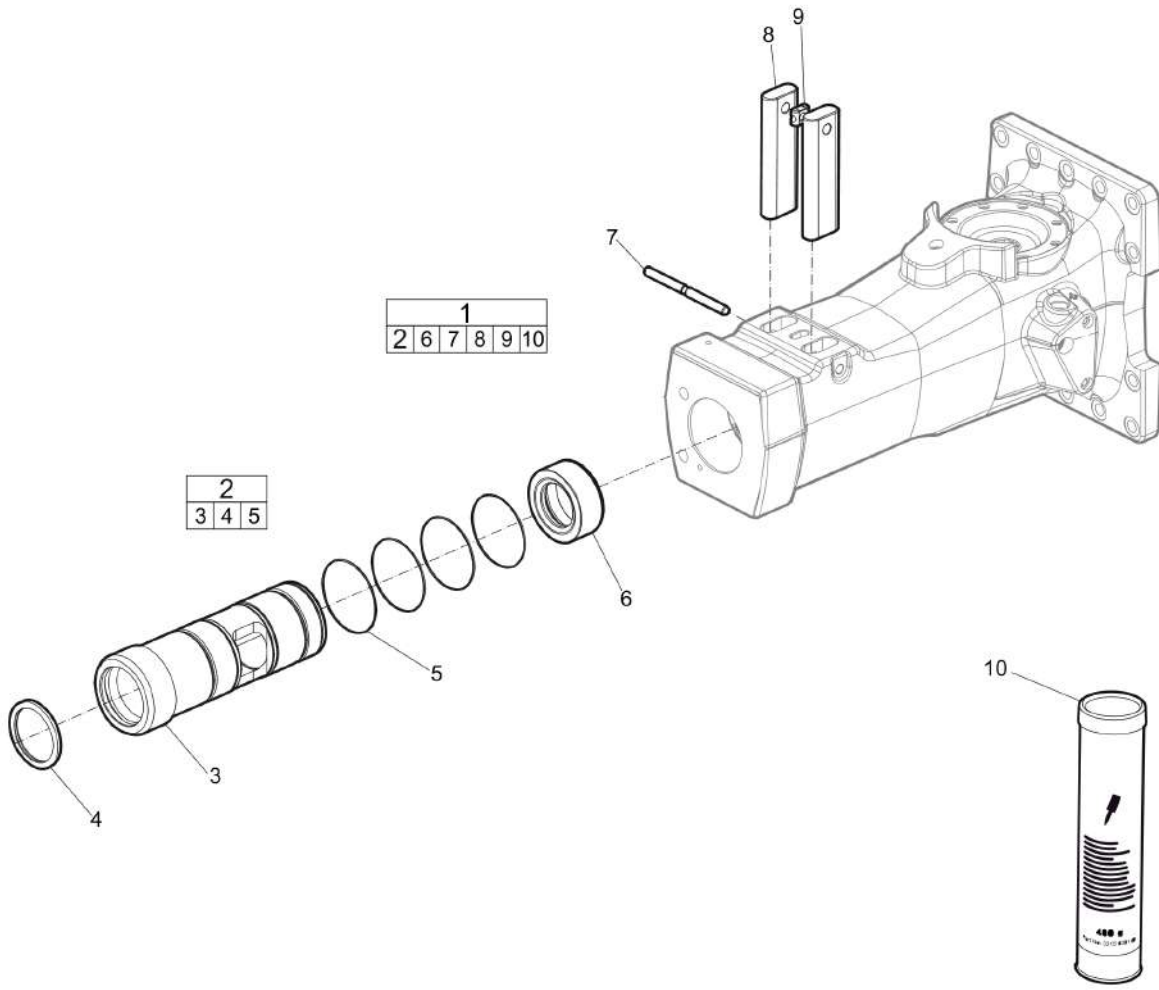
Environmental Product Compliance - REACH Declaration ..... 33

Service, repair, wear part kits Label kit



Item	Part No.	Name	Qty	L
1	3315321590	Label kit	1	
2	--	AEM sign	1	
3	--	Product label "SB 552"	2	
4	--	Safety label	1	
5	--	Noise level label	1	
6	--	Safety label	1	

Service, repair, wear part kits Lower hammer part kit



Item	Part No.	Name	Qty	L
1	3315352195	Lower hammer part kit	1	
2	3315302980	Bushing, complete	1	
3	---	Bushing	1	
4	3315303000	Scraper ring	1	
5	0663210823	O-ring, 119.5 x 3 mm, 4.70 x 0.12 in.	4	
6	3315302800	Stop ring	1	
7	3315319100	Lock pin	1	
8	3315305900	Tool retainer	2	
9	3315141900	LOCK BUFFER	1	
10	--	Chisel paste cartridge, 400 g	1	

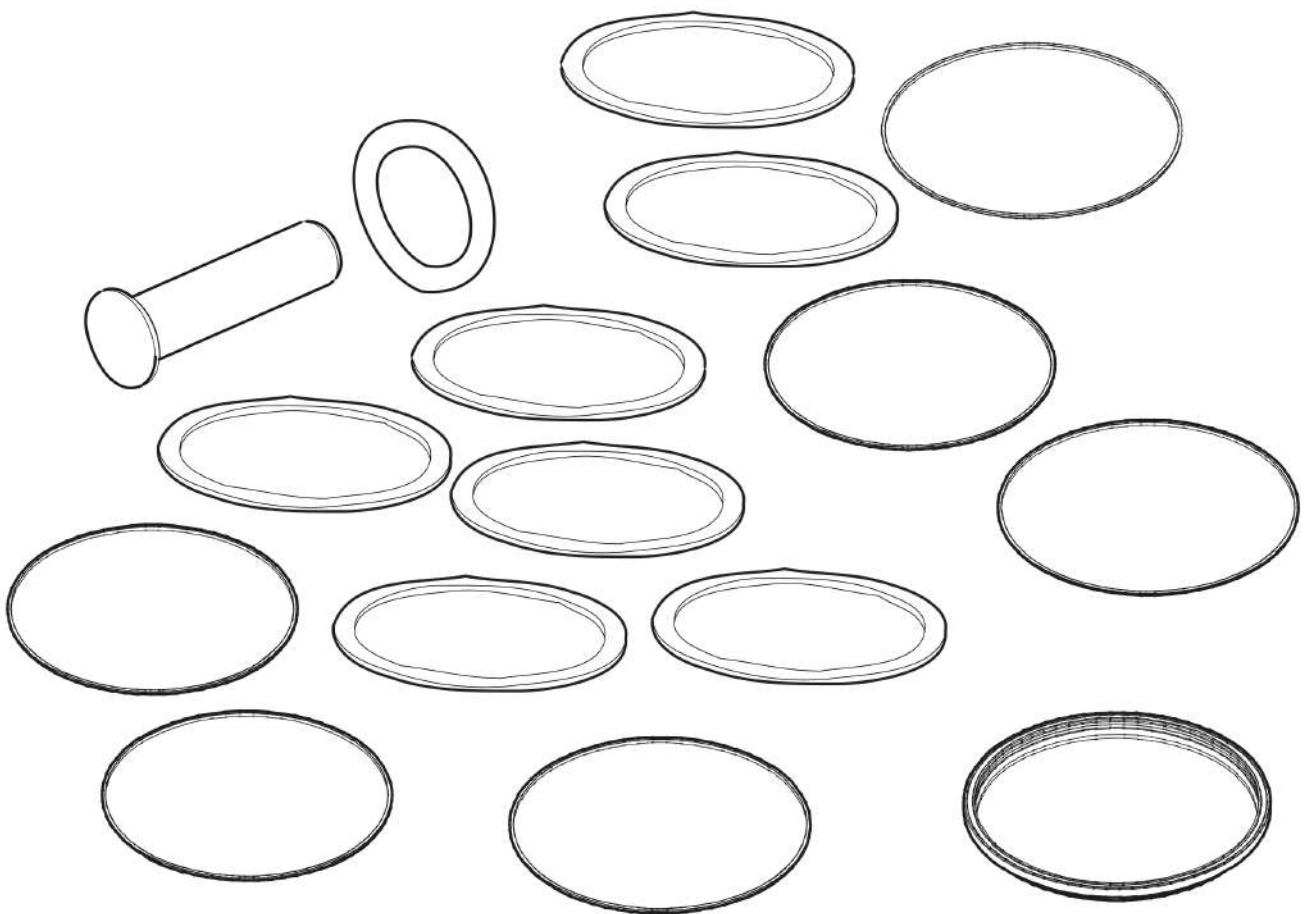
Service, repair, wear part kits Accumulator repair kit

**NO EXPLODED VIEW  
AVAILABLE  
FOR THIS BOM**



Item	Part No.	Name	Qty	L
1	3315303190	Accumulator repair kit	1	
-	3315303500	COIL SPRING	1	
-	3315303201	Diaphragm support	1	
-	3315416300	Diaphragm	1	
-	0211196544	Hexagon socket screw M16 x 50 mm Screw with extra high fatigue strength.	8	
-	0686371805	PLUG	1	
-	3115329002	SEAL RING	1	
-	0663212000	O-RING	1	
-	3315366000	VALVE	1	
-	0101414000	PIN	1	
-	0663211400	O-RING	1	

Service, repair, wear part kits Seal kit



Item	Part No.	Name	Qty	L
1	3315303690	Seal kit	1	
2	0663210823	O-ring, 119.5 x 3 mm, 4.70 x 0.12 in.	4	
3	0661100024	SEAL WASHER	1	
4	3115329002	SEAL RING	1	
5	0663212000	O-RING	1	
6	0663211400	O-RING	1	
7	0663212141	O-RING	2	
8	0663211491	O-ring, 47.29 x 2.62 mm Polyuretan, 1.86 x 0.10 in.	1	
9	0661200401	BACK-UP RING	1	
10	0663990026	Seal ring, 51.3 x 54.3 x 3 mm, 2.02 x 2.14 x 0.12 in.	2	
11	0664000005	Sealing ring, 29.70 x 35.70 x 1.50 mm, 1.17 x 1.41 x 0.06 in.	2	
12	0663211125	O-RING	2	
13	0665090014	SEAL RING	4	
14	3315336700	PLUG	1	
15	0665909965	Wiper	1	
16	0665070134	Piston rod seal	1	
17	0663990027	Beaseal, 159.4 x 162.3 x 3 mm, 6.28 x 6.39 x 0.12 in.	2	
18	0665211303	O-ring, 149.5 x 3 mm, 5.89 x 0.12 in.	7	
19	0665070133	Piston rod seal	1	
20	3315280800	VALVE RUBBER	1	
21	0663210421	O-RING	2	
22	0663211506	O-ring, 151.64 x 1.78 mm , 5.97 x 0.07 in. (70 shore)	1	
23	3315303000	Scraper ring	1	



Item	Part No.	Name	Qty	L
1	-	Breaker body	1	
2	3315302980	Bushing, complete	1	
3	-	BUSHING	1	
4	3315303000	Scraper ring	1	
5	0663210823	O-ring, 119.5 x 3 mm, 4.70 x 0.12 in.	4	
6	3315302800	Stop ring	1	
7	0686100009	Plug, Ø10 mm, Ø0.39 in.	2	
8	0686644207	PLUG	7	
9	3315395200	Water Nossle	2	
10	3315319100	Lock pin	1	
11	0108169129	Spring pin, option, 16 x 180 mm, 0.63 x 7.09 in.	1	
12	3315305900	Tool retainer	2	
13	3315141900	LOCK BUFFER	1	
14	0686371801	PLUG	4	
15	3315303500	COIL SPRING	1	
16	3315303201	Diaphragm support	1	
17	3315416300	Diaphragm	1	
18	3315303100	Diaphragm cover	1	
19	0211196544	Hexagon socket screw M16 x 50 mm Screw with extra high fatigue strength.	8	
20	0686371805	PLUG	1	
21	3115329002	SEAL RING	1	
22	0663212000	O-RING	1	
23	3315366000	VALVE	1	
24	0663211400	O-RING	1	
25	0101414000	PIN	1	
26	3315365800	PRESS.REL.VALVE	1	A
27	-	Pressure relief valve	1	
28	0663212141	O-RING	1	
29	0663210421	O-RING	1	
30	0661200401	BACK-UP RING	1	
31	3315312100	Control valve	1	
32	0663990026	Seal ring, 51.3 x 54.3 x 3 mm, 2.02 x 2.14 x 0.12 in.	2	
33	0663211491	O-ring, 47.29 x 2.62 mm Polyuretan, 1.86 x 0.10 in.	1	
34	3315362820	Valve cover	1	
35	0580001476	PIPE COUPLING	1	
36	-	NIPPLE	1	
37	0664000005	Sealing ring, 29.70 x 35.70 x 1.50 mm, 1.17 x 1.41 x 0.06 in.	1	

Refer to the DocMine web page for most up-to-date information. The printed information might be outdated.

Thu Apr 21 06:46:30 UTC 2022

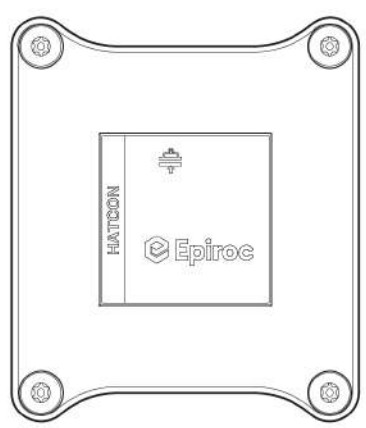
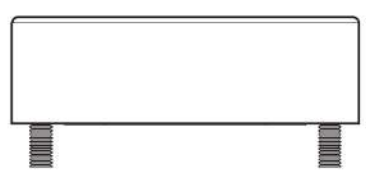
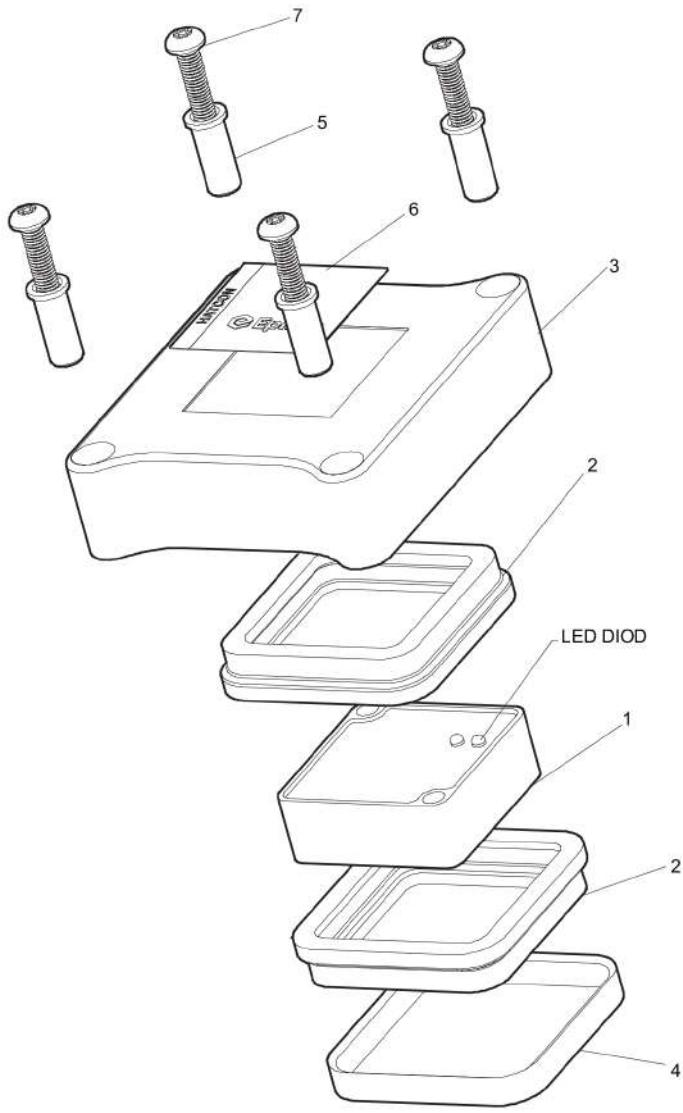
Item	Part No.	Name	Qty	L
39	0686925030	Cap	2	
41	3315336700	PLUG	1	
42	3360433774	Grease nipple	1	
43	3315369655	Restrictor standard, complete	1	
44	--	Restrictor, standard, Ø7.7 mm, Ø0.3 in.	1	
45	0663210421	O-RING	1	
46	0663212141	O-RING	1	
47	0665909965	Wiper	1	
48	0665070134	Piston rod seal	1	
49	0663990027	Beaseal, 159.4 x 162.3 x 3 mm, 6.28 x 6.39 x 0.12 in.	2	
50	3315302500	Liner	1	
51	0663211303	O-ring, 149.5 x 3 mm, 5.89 x 0.12 in.	7	
52	0663211506	O-ring, 151.64 x 1.78 mm , 5.97 x 0.07 in. (70 shore)	1	
53	3315302400	Piston	1	
54	0665070133	Piston rod seal	1	
55	3315303410	Back head	1	
56	0147155503	SCREW, HEX HEAD	8	
57	3315244881	CHECK VALVE	1	
58	--	Check valve	1	
59	3315280800	VALVE RUBBER	1	
60	3315307700	Base plate	1	
61	3315323990	Bolt kit	1	
62	--	Screw	14	
63	--	Nut, M20	14	
64	0211110495	M20x80	2	
65	3315439145	Protective plug HATCON	4	
66		Product label HATCON	1	

Comments for Page: Hydraulic breaker

A | CAS No. see chapter "Environmental Product Compliance - REACH Declaration"

This page intentionally left blank

Mechanical HATCON (Horizontal)

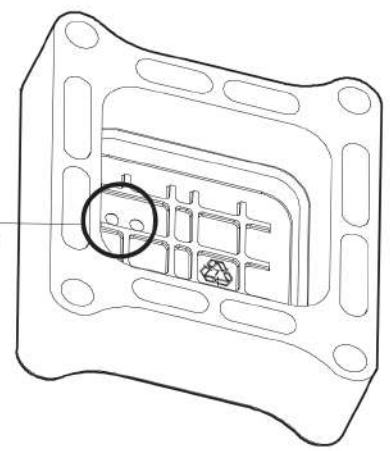


DETAIL A



Horizontal mounted.  
Match diods on POS.1 to  
match the recess marked H on POS .3

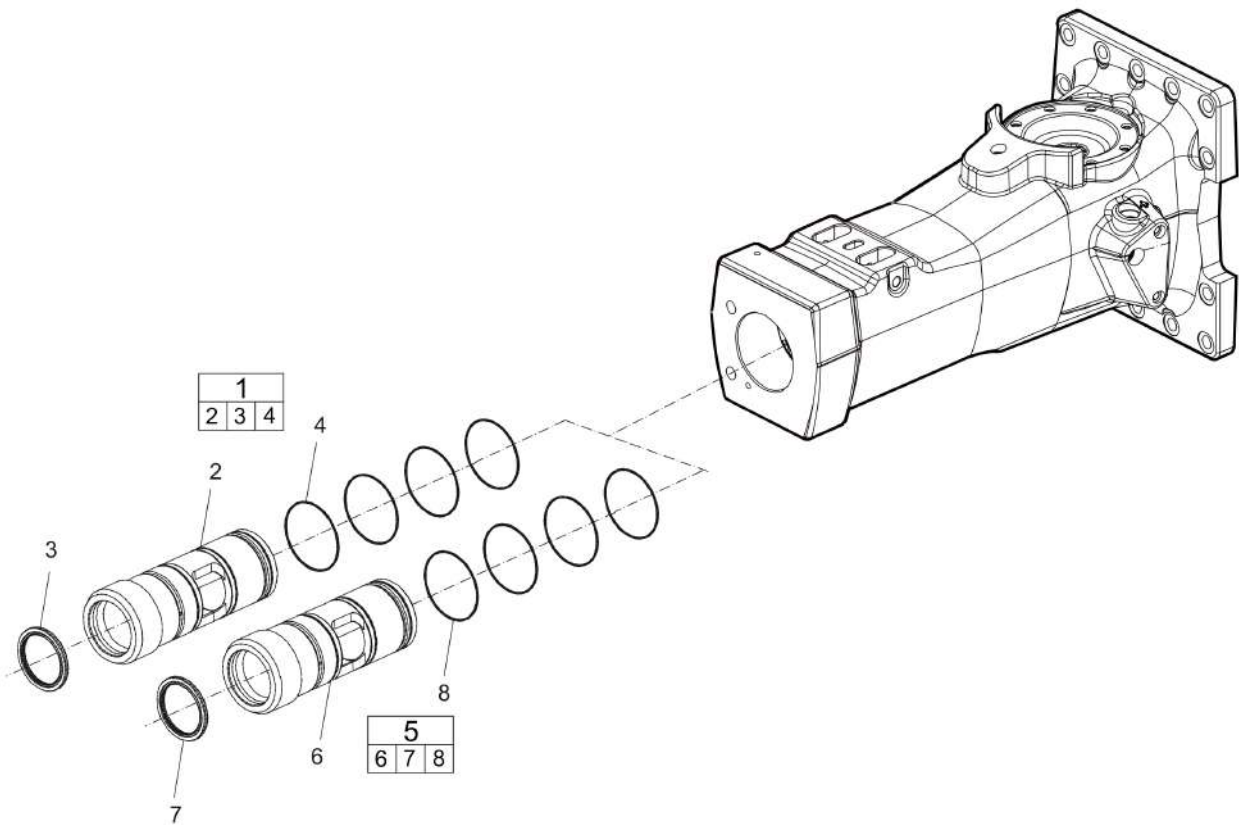
SEE DETAIL A





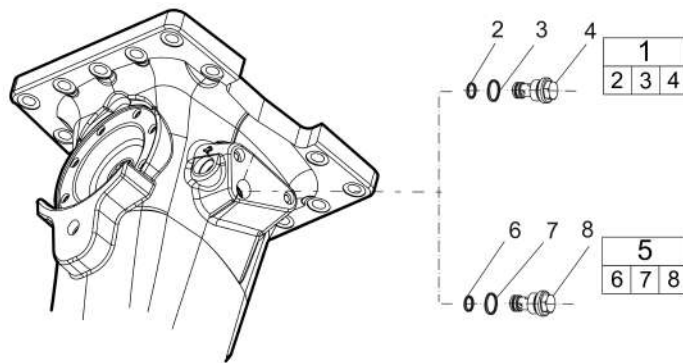
Item	Part No.	Name	Qty	L
1		Tracking module HATCON	1	
2	3315439130	Damper HATCON	2	
3	3315439118	Housing type 4 HATCON	1	
4	3315439140	Lock ring HATCON	1	
5	3315439120	Sleeve HATCON	4	
6	3315439100	Product label HATCON	1	
7	3315442600	Screw HATCON	4	

Mechanical Optional parts - Bushing oversize, complete



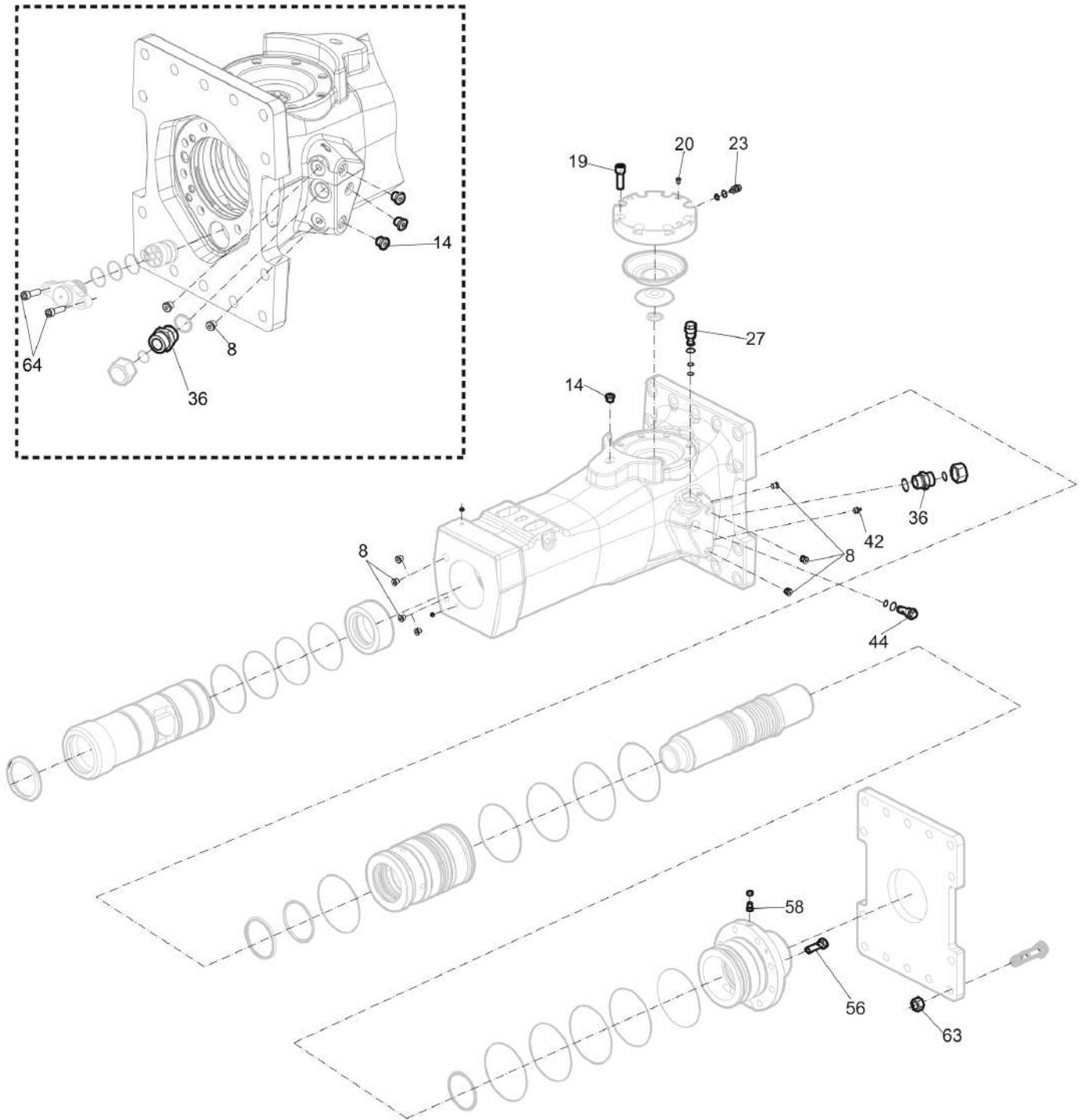
Item	Part No.	Name	Qty	L
1	3315302960	Bushing oversize, complete	1	
2	--	Bushing, Ø 135.5 mm, Ø 5.33 in.	1	
3	3315303000	Scraper ring	1	
4	0663210823	O-ring, 119.5 x 3 mm, 4.70 x 0.12 in.	4	
5	3315302963	Bushing oversize, complete	1	
6	--	Bushing, Ø 137 mm, Ø 5.39 in.	1	
7	3315303000	Scraper ring	1	
8	0663210823	O-ring, 119.5 x 3 mm, 4.70 x 0.12 in.	4	

Mechanical Optional parts - Restrictor, complete



Item	Part No.	Name	Qty	L
1	3315369635	Restrictor, complete	1	
2	0663210421	O-RING	1	
3	0663212141	O-RING	1	
4	-	Restrictor, Ø6.0 mm, Ø0.24 in.	1	
5	3315369645	Restrictor, complete	1	
6	0663210421	O-RING	1	
7	0663212141	O-RING	1	
8	-	Restrictor, Ø6.7 mm, Ø0.26 in.	1	

Mechanical Tightening torque

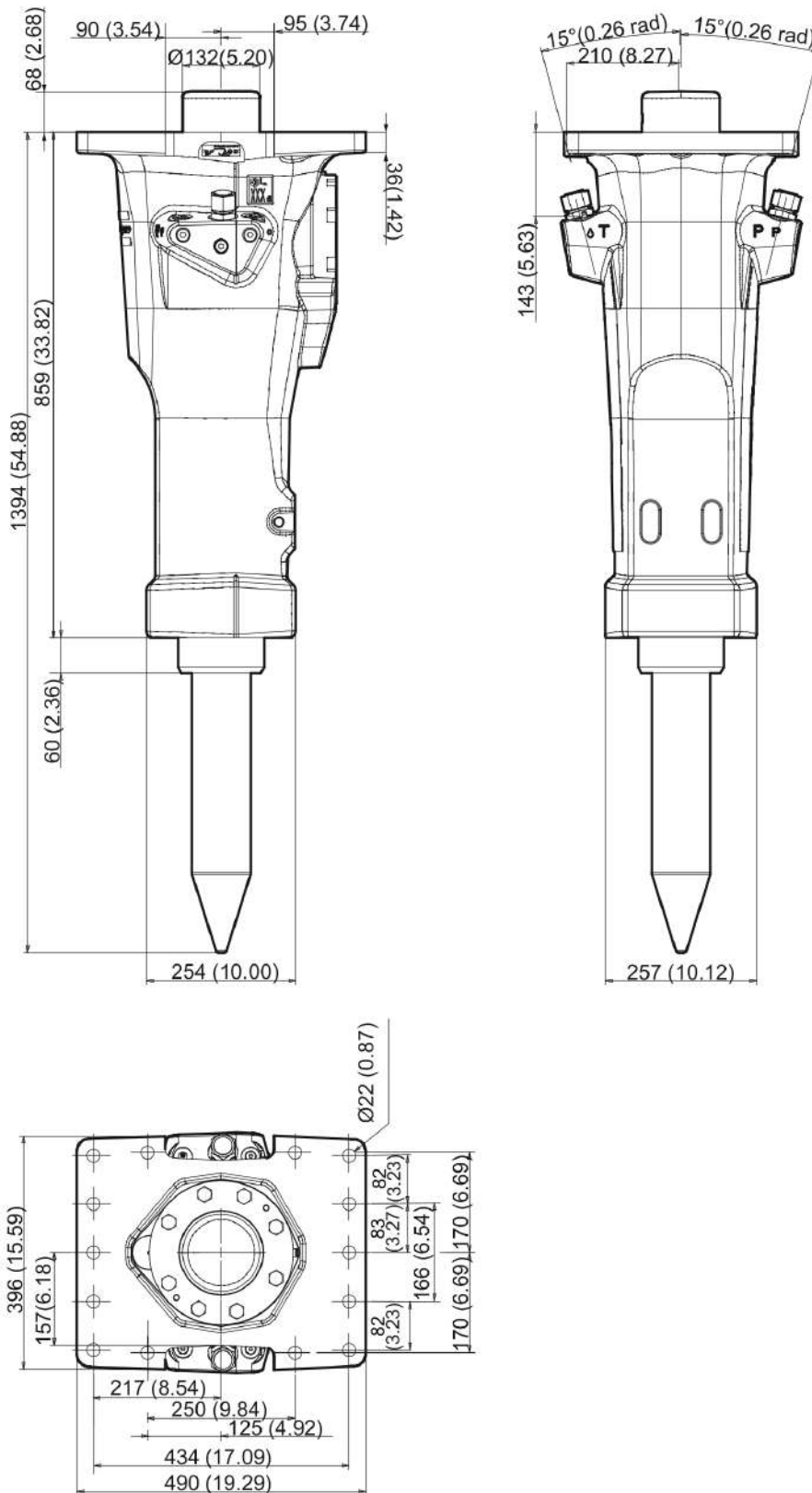


Refer to the DocMine web page for most up-to-date information. The printed information might be outdated.

Thu Apr 21 06:46:35 UTC 2022

Item	Part No.	Name	Qty	L
8	-	Plug - 30 Nm, use LOCTITE® 243™	-	
14	-	Plug - 80 Nm, use LOCTITE® 243™	-	
19	-	Hexagon socket screw - 300 Nm, use Molykote®	-	
20	-	Plug - 20 Nm	-	
23	-	Charge valve - 27 Nm	-	
27	-	Pressure relief valve - 80 Nm	-	
36	-	Nipple - 315 Nm	-	
42	-	Grease nipple - 30 Nm	-	
44	-	Restrictor, standard - 80 Nm	-	
56	-	Hexagon head screw - 315 Nm, use Molykote®	-	
58	-	Check valve - 30 Nm, use LOCTITE® 243™	-	
63	-	Nut - 400 Nm, use Molykote®	-	
64	-	Screw - 615 Nm, use Molykote®	-	

Mechanical Dimensions (mm)



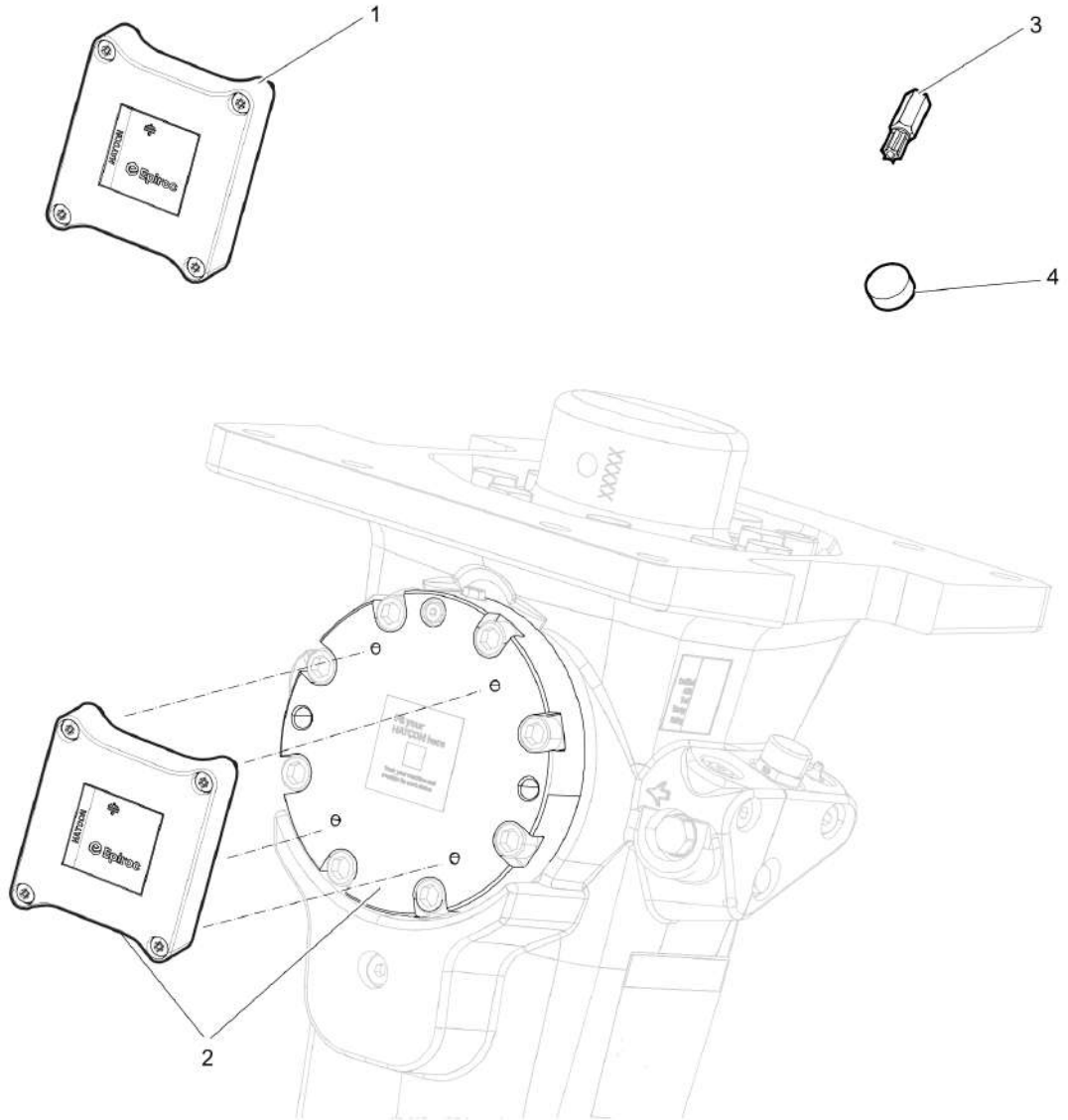
Refer to the DocMine web page for most up-to-date information. The printed information might be outdated.

Thu Apr 21 06:46:35 UTC 2022



This page intentionally left blank

Options/accessories Retrofit



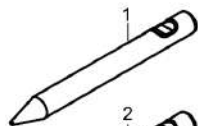
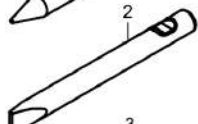
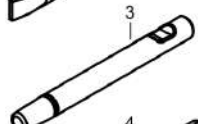
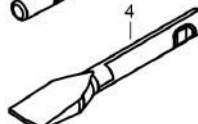
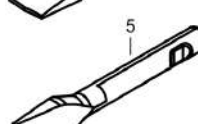

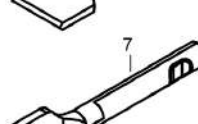

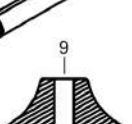
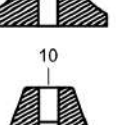
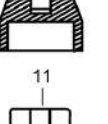
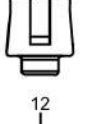
Item	Part No.	Name	Qty	L
1	3315442504	HATCON KIT 4 2G/3G	1	A
1	3315442523	HATCON KIT 4 (LTE, 2G/4G)	1	A
2	3315442515	Retrofit kit with accumulator	1	B
3	3315439105	Security bit HATCON	1	
4	3315439106	Magnet HATCON	1	

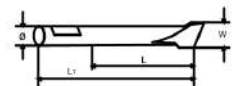
Comments for Page: Retrofit

A | Valid from BES125892

B | Valid before BES125891

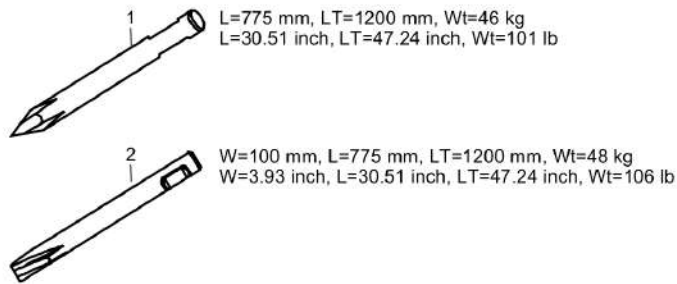
Options/accessories Working tools ClassicLine

 <p>1</p>	<p>L=495 mm, LT=920 mm, Wt=49 kg L=19.5 inch, LT=36.22 inch, Wt=108 lb</p>
 <p>2</p>	<p>W= 100 mm, L=495 mm, LT=920 mm, Wt=51 kg W=3.93 inch, L=19.5 inch, LT=36.22 inch, Wt=112 lb</p>
 <p>3</p>	<p>L=495 mm, LT=920 mm, Wt=53 kg L=19.5 inch, LT=36.22 inch, Wt=117 lb</p>
 <p>4</p>	<p>W=180 mm, L=495 mm, LT=920 mm, Wt=52 kg W=7.09 inch, L=19.5 inch, LT=36.22 inch, Wt=115 lb</p>
 <p>5</p>	<p>W=180 mm, L=475 mm, LT=800 mm, Wt=52 kg W=7.09 inch, L=18.7 inch, LT=31.5 inch, Wt=115 lb</p>
 <p>6</p>	<p>W=200 mm, L=475 mm, LT=850 mm, Wt=52 kg W=7.87 inch, L=18.7 inch, LT=33.5 inch, Wt=115 lb</p>
 <p>7</p>	<p>W= 200 L=475 mm, LT=850 mm, Wt=39 kg W=7.87 inch, L=18.7 inch, LT=33.5 inch, Wt=86 lb</p>
 <p>8</p>	<p>LT=900 mm, Wt=53 kg LT=35.4 inch, Wt=117 lb</p>
 <p>9</p>	<p>W=Ø400 mm, Wt= 80 kg W=Ø15.75 inch, Wt= 176 kg</p>
 <p>10</p>	<p>W=Ø200 mm, Wt= 33 kg W=Ø7.87 inch, Wt= 73 lb</p>
 <p>11</p>	<p>W= Ø150 mm, Wt=26 kg W=Ø5.90 inch, Wt= 57 lb</p>
 <p>12</p>	<p>W=Ø190 mm, Wt=30 kg W=Ø7.48 inch, Wt= 66 lb</p>



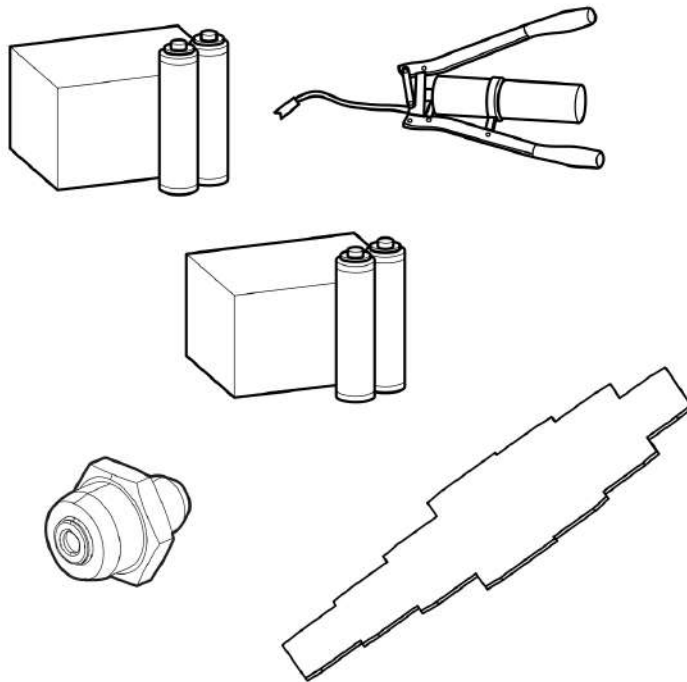
Item	Part No.	Name	Qty	L
1	3083340915	Moil point	1	
2	3083340916	Chisel (cross)	1	
3	3083340917	Blunt tool	1	
4	3083340924	Wide chisel (cross)	1	
5	3083340925	Wide chisel (parallel)	1	
6	3083340942	Asphalt cutter (cross)	1	
7	3083340943	Asphalt cutter (parallel)	1	
8	3315370505	Shaft	1	
9	3315371200	Tamping pad (square)	1	
10	3315372000	Post driver pad (round)	1	
11	3315372600	Pile driver pad (round)	1	
12	3315373200	Bushing pad (round)	1	

Options/accessories Working tools ProLine



Item	Part No.	Name	Qty	L
1	3363120269	Moil point (X-profile)	1	
2	3363120270	Chisel (X-profile)	1	

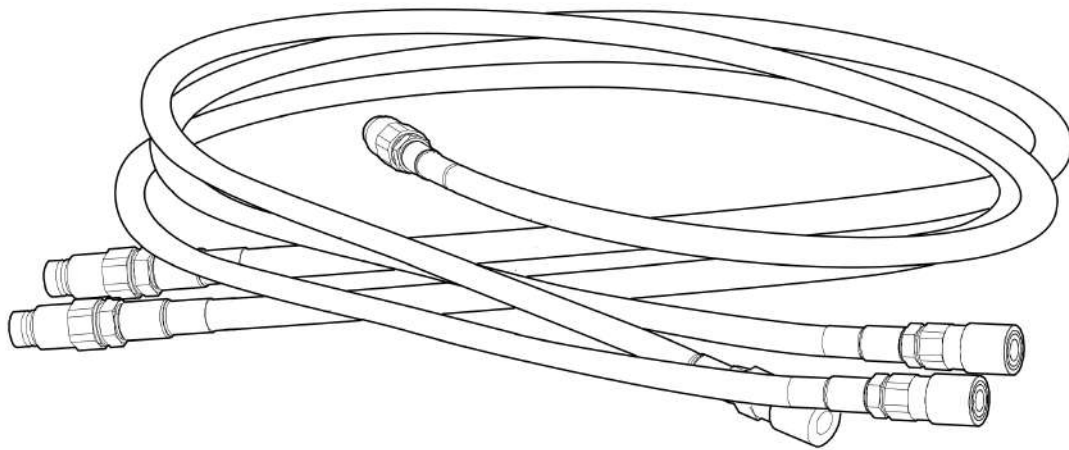
Options/accessories Optional equipment





Item	Part No.	Name	Qty	L
-	3315303891	ContiLube II Micro	1	
-	0909107100	LUBRICAT.GUN	1	
-	3363122354	BIO Chisel paste, 20 x 150 g	1	
-	3363122355	BIO Chisel paste cartridge for grease gun, 12 x 400 g (0.88 lbs)	1	
-	3363122357	BIO Chisel paste container (15 kg)	1	
-	3363122358	BIO Chisel paste container (45 kg)	1	
-	3360920415	Filling device for accumulator	1	
-	3363094459	Nipple, for charging the accumulator	1	
-	3361329803	Filling hose for charging the accumulator	1	
-	3315353100	Bushing wear controller	1	

Options/accessories Hydraulic hoses



Item	Part No.	Name	Qty	L
-	3360332294	Hydraulic hose, I.D. 20 (0.79 in.), both ends M36 x 2 mm conical seal 24°, length 2,300 mm (90.5 in.)	2	
-	3363085947	Hydraulic hose, I.D. 20 (0.79 in.), both ends M36 x 2 mm conical seal 24°, length 2,800 mm (110.2 in.)	2	
-	3363094964	Additional fitting kit (needed to fit two hoses to the hydraulic breaker)	1	

Annex Environmental Product Compliance - REACH Declaration

NO EXPLODED VIEW  
AVAILABLE  
FOR THIS BOM

Item	Part No.	Name	Qty	L
26	-	Pressure relief valve, complete, Part No. 3315365800 - CAS No. 7439-92-1	-	

Comments for Page: Environmental Product Compliance - REACH Declaration

EU REACH Candidate List substances present in product listed above.





Any unauthorized use or copying of the contents or any part thereof is prohibited.  
This applies in particular to trademarks, model denominations, part numbers, and drawings.