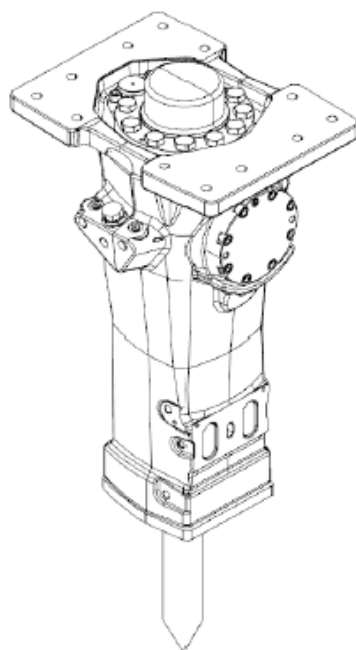


SB 702

Spare parts list Hydraulic breakers

SB 702 s/n BES043707 –



General information

This spare parts list applies to the following:

Part number	Description
8460030085	SB 702
8460030086	SB 702 HATCON
8460030088	SB 702 HATCON LTE

Use only authorized parts. Any damage or malfunction caused by the use of unauthorized parts is not covered by Warranty or Product Liability. Any unauthorized use or copying of the contents or any part thereof is prohibited. This applies in particular to trademarks, model denominations, part numbers, and drawings.

Instructions for use

This spare parts list contains no safety regulations and is merely intended to assist in the ordering of spare parts.

For information about operating, servicing, or repairing, the relevant Safety and operating instructions must be consulted at all costs.

Please observe the safety instructions listed in the relevant Safety and operating instructions!

Service, repair and wear part kits

Label kit 1
Seal kit 3
Lower hammer part kit 5
Accumulator repair kit 7

Mechanical

Hydraulic breaker 9
HATCON (Horizontal) 13
Optional parts - Bushing oversize, complete 15
Optional parts - Restrictor, complete 17
Tightening torque 19
Dimensions (mm) 21

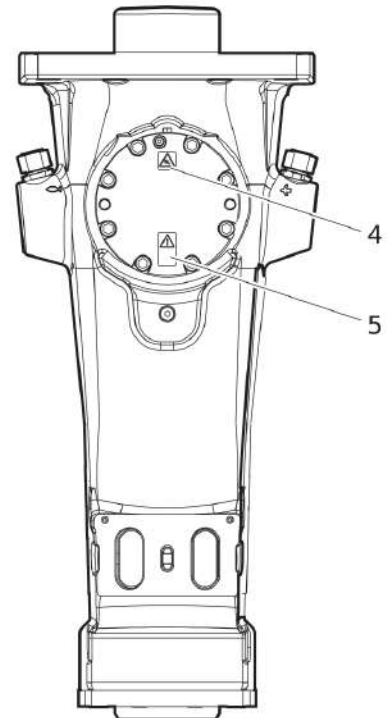
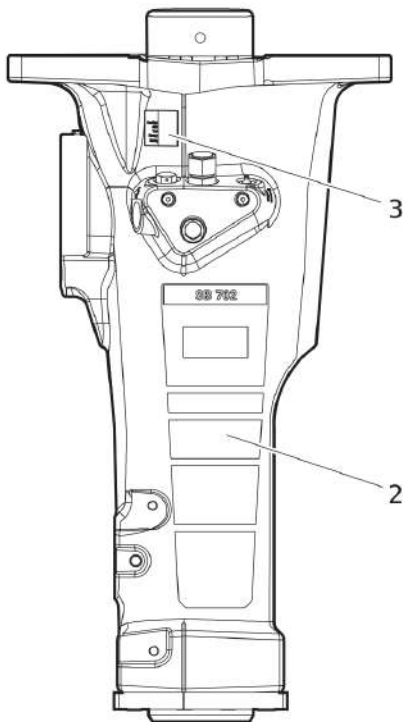
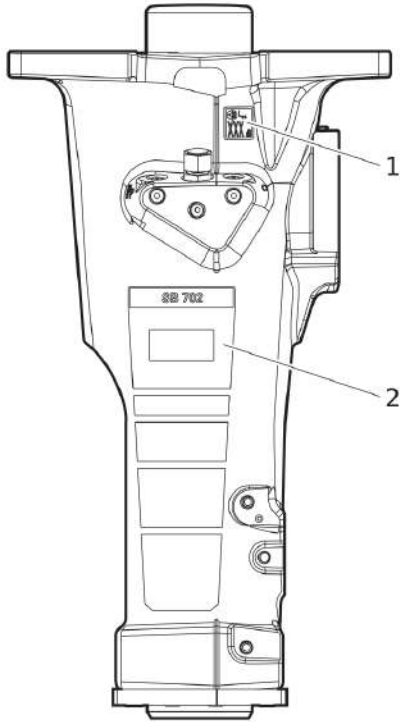
Options / accessories

Hydraulic hoses 22
Optional equipment 25
Working tools ClassicLine 27
Working tools ProLine 29

Annex

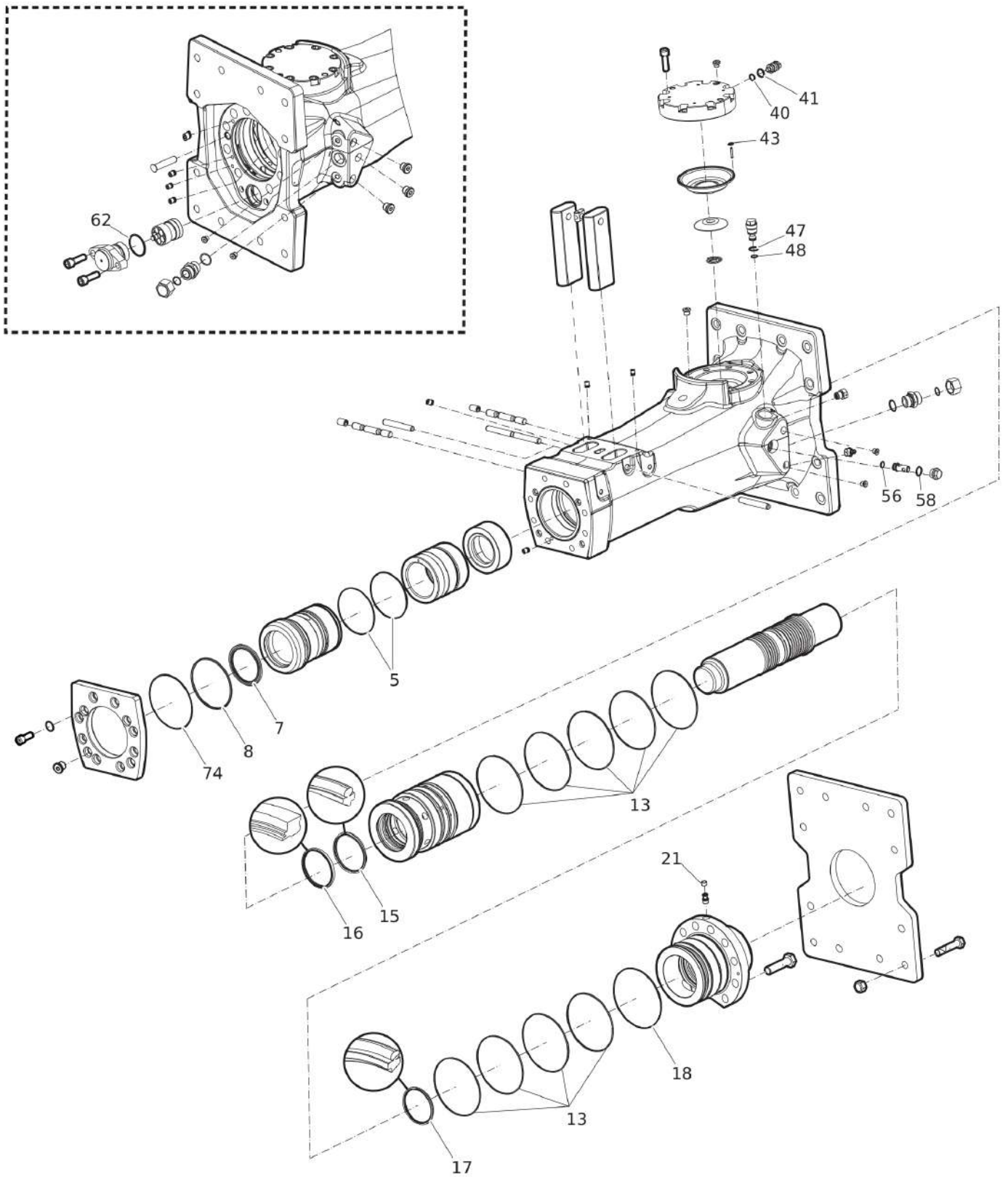
Environmental Product Compliance - REACH Declaration 31

Service, repair and wear part kits Label kit



Item	Part No.	Name	Qty	L
KIT	3315409701	LABEL KIT	1	
1		SOUND POWER LABEL	1	
2		PRODUCT LABEL	2	
3		AEM SIGN	1	
4		SAFETY LABEL	1	
5		SAFETY LABEL	1	

Service, repair and wear part kits Seal kit



Refer to the DocMine web page for most up-to-date information. The printed information might be outdated.
Tue Mar 28 12:47:00 UTC 2023

Item	Part No.	Name	Qty	L
KIT	3315409702	SEAL KIT	1	
5	0663210824	O-RING	2	A
7	3315388700	SCRAPER RING	1	
8	0663210658	O-RING	1	
13	0663990040	O-RING	9	B
15	0665070158	PISTON ROD SEAL	1	
16	0665909955	WIPER	1	
17	0665070157	PISTON ROD SEAL	1	
18	0663211649	O-RING	1	C
21	3315280800	VALVE RUBBER	1	
40	3115329002	SEAL RING	1	
41	0663212000	O-RING	1	
43	0663211400	O-RING	1	
47	0663910401	O-RING	1	
48	0663903201	O-RING	1	D
56	0663903201	O-RING	1	D
58	0663910401	O-RING	1	
62	0663990041	SEAL RING	1	E
74	0663211647	O-RING	1	

Comments for Page: Seal kit

(L)OCAL REMARKS

A | \varnothing 134.5 x 3 mm (\varnothing 5.30 x 0.12 in.)

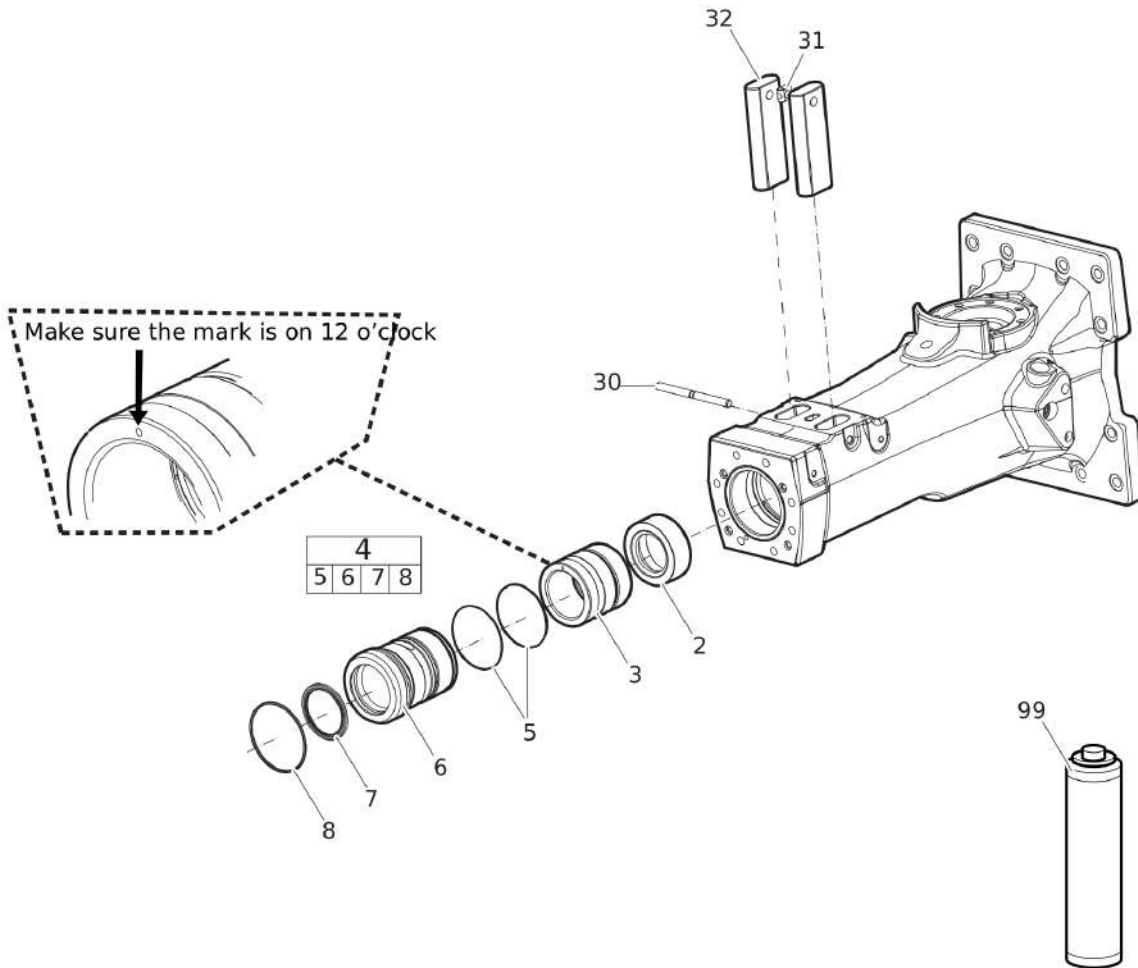
B | 177.10 x 182.50 x 4 mm (6.97 x 7.19 x 0.16 in.)

C | 171.12 x 2.62 mm (6.74 x 0.10 in.)

D | \varnothing 15.6 x 1.78 (\varnothing 0.61 x 0.07 in.)

E | 58 x 66 x 3 mm (2.28 x 2.60 x 0.12 in.)

Service, repair and wear part kits Lower hammer part kit



Item	Part No.	Name	Qty	L
KIT	3315409708	LOWER HAMMER PART KIT	1	
2	3315388200	STOP RING	1	
3	3315395000	WEAR BUSH	1	A
4	3315409707	WEAR BUSH, complete	1	B
5	0663210824	O-RING	2	
6		WEAR BUSH	1	
7	3315388700	SCRAPER RING	1	
8	0663210658	O-RING	1	
30	3315397200	LOCKING PIN	1	
31	3315141900	LOCK BUFFER	1	
32	3315388300	RETAINER BAR	2	
99		BIO CHISEL PASTE CARTRIDGE, 1 x 400 g (0.88 lbs)	1	

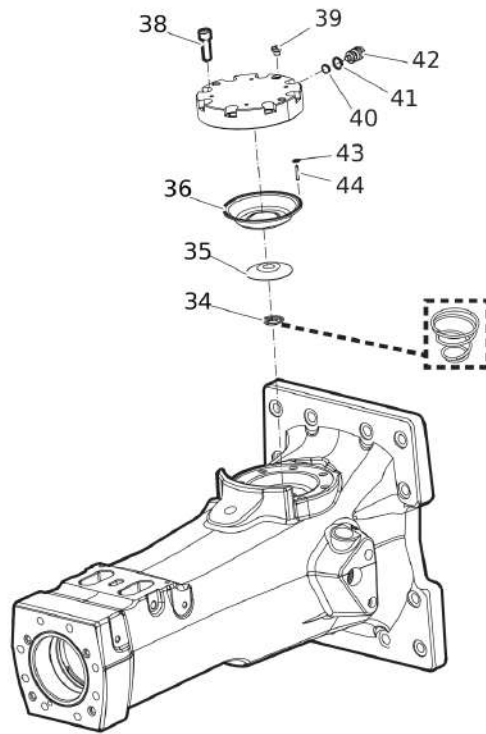
Comments for Page: Lower hammer part kit

(L)OCAL REMARKS

A | Ø 144.00 mm (Ø 5.67 in.)

B | Ø 144.50 mm (Ø 5.69 in.)

Service, repair and wear part kits Accumulator repair kit



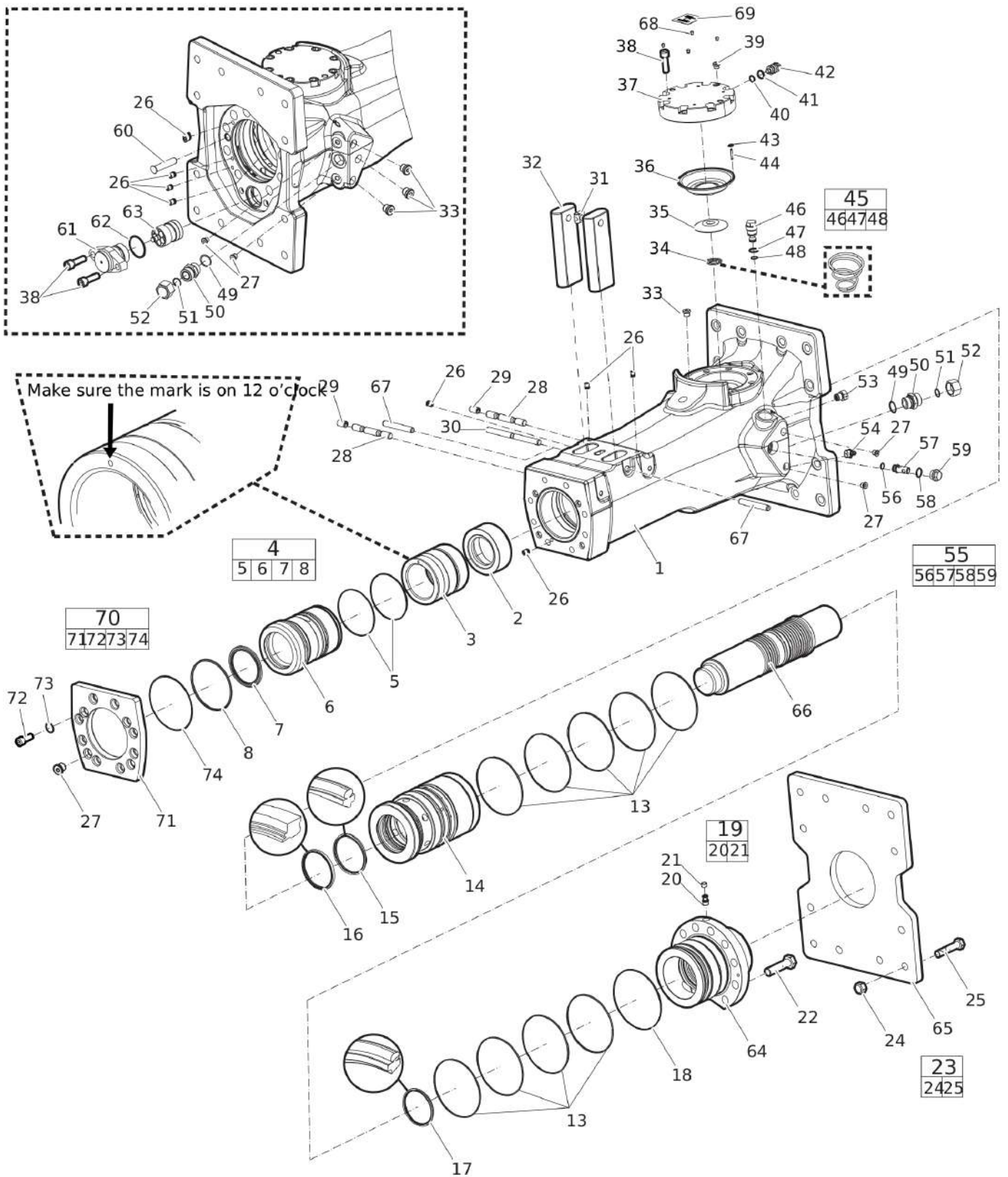
Item	Part No.	Name	Qty	L
KIT	3315409709	ACCUMULATOR REPAIR KIT	1	
34	3315303500	COIL SPRING	1	
35	3315388500	DIAPHRAGM SUPPORT	1	
36	3315416300	DIAPHRAGM	1	
38	0211196544	HEXAGON SOCKET SCREW	8	A
39	0686371805	PLUG	1	
40	3115329002	SEAL RING	1	
41	0663212000	O-RING	1	
42	3315366000	VALVE	1	
43	0663211400	O-RING	1	
44	0101414000	PIN	1	

Comments for Page: Accumulator repair kit

(L)OCAL REMARKS

A | Screw with extra high fatigue strength.

Mechanical Hydraulic breaker



Refer to the DocMine web page for most up-to-date information. The printed information might be outdated.
Tue Mar 28 12:47:10 UTC 2023

Item	Part No.	Name	Qty	L
1	-	HAMMER BODY	1	
2	3315388200	STOP RING	1	
3	3315395000	WEAR BUSH	1	
4	3315409707	WEAR BUSH, complete	1	
5	0663210824	O-RING	2	
6		WEAR BUSH	1	
7	3315388700	SCRAPER RING	1	
8	0663210658	O-RING	1	
13	0663990040	O-RING	9	
14	3315409000	LINER	1	
15	0665070158	PISTON ROD SEAL	1	
16	0665909955	WIPER	1	
17	0665070157	PISTON ROD SEAL	1	
18	0663211649	O-RING	1	
19	3315244881	CHECK VALVE, complete	1	
20	-	CHECK VALVE	1	
21	3315280800	VALVE RUBBER	1	
22	0147163803	SCREW, HEX HEAD	10	
23	3315323990	BOLT KIT	1	
24		NUT	12	
25		HEXAGON HEAD SCREW	12	
26	0686100009	PLUG	8	
27	0686644207	PLUG	8	A
28	3315395700	LOCKING PIN	2	
29	0108110322	SPRING PIN	2	
30	3315397200	LOCKING PIN	1	
31	3315141900	LOCK BUFFER	1	
32	3315388300	RETAINER BAR	2	
33	0686371801	PLUG	4	B
34	3315303500	COIL SPRING	1	
35	3315388500	DIAPHRAGM SUPPORT	1	
36	3315416300	DIAPHRAGM	1	
37	3315303100	DIAPHRAGM COVER	1	
38	0211196544	HEXAGON SOCKET SCREW	10	C
39	0686371805	PLUG	1	D
40	3115329002	SEAL RING	1	
41	0663212000	O-RING	1	

Refer to the DocMine web page for most up-to-date information. The printed information might be outdated.

Tue Mar 28 12:47:10 UTC 2023

Item	Part No.	Name	Qty	L
42	3315366000	VALVE	1	
43	0663211400	O-RING	1	
44	0101414000	PIN	1	
45	3315400900	PRESSURE RELIEF VALVE, complete	1	E
46	-	PRESSURE RELIEF VALVE	1	
47	0663910401	O-RING	1	
48	0663903201	O-RING	1	
49	0664000005	SEAL RING	1	
50	0580001476	PIPE COUPLING	1	
51	0663211125	O-RING	1	
52	0686925031	Cap	2	
53	3363109435	NON RETURN VALVE	1	
54	3360433774	GREASE NIPPLE	1	F
55	3315409703	RESTRICTOR, complete	1	
56	0663903201	O-RING	1	
57	-	RESTRICTOR, \varnothing 8.4 mm (\varnothing 0.33 in.)	1	
58	0663910401	O-RING	1	
59	3315386500	RESTRICTOR PLUG	1	
60	3315397900	PLUG	1	
61	3315388000	VALVE COVER	1	
62	0663990041	SEAL RING	1	
63	3315388100	CONTROL VALVE	1	
64	3315387600	BACK HEAD	1	
65	3315398800	BASE PLATE with through borings	1	
66	3315387900	PISTON	1	
67	0108110326	SPRING PIN, option	2	
68	3315439145	PROTECTIVE PLUG HATCON	4	
69		HATCON LABEL	1	
70	3315409706	WEAR PLATE, complete	1	
71		WEAR PLATE	1	
72	3315431101	HEXAGON SOCKET SCREW	8	
73	0333520027	LOCK WASHER	8	
74	0663211647	O-RING	1	

Comments for Page: Hydraulic breaker

(L)OCAL REMARKS

Refer to the DocMine web page for most up-to-date information. The printed information might be outdated.

Tue Mar 28 12:47:13 UTC 2023

A | VSTI R 1/4-ED

B | VSTI R 3/8-ED

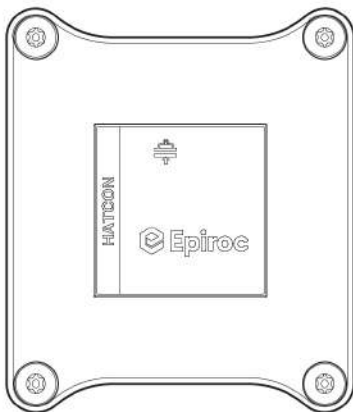
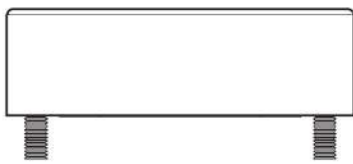
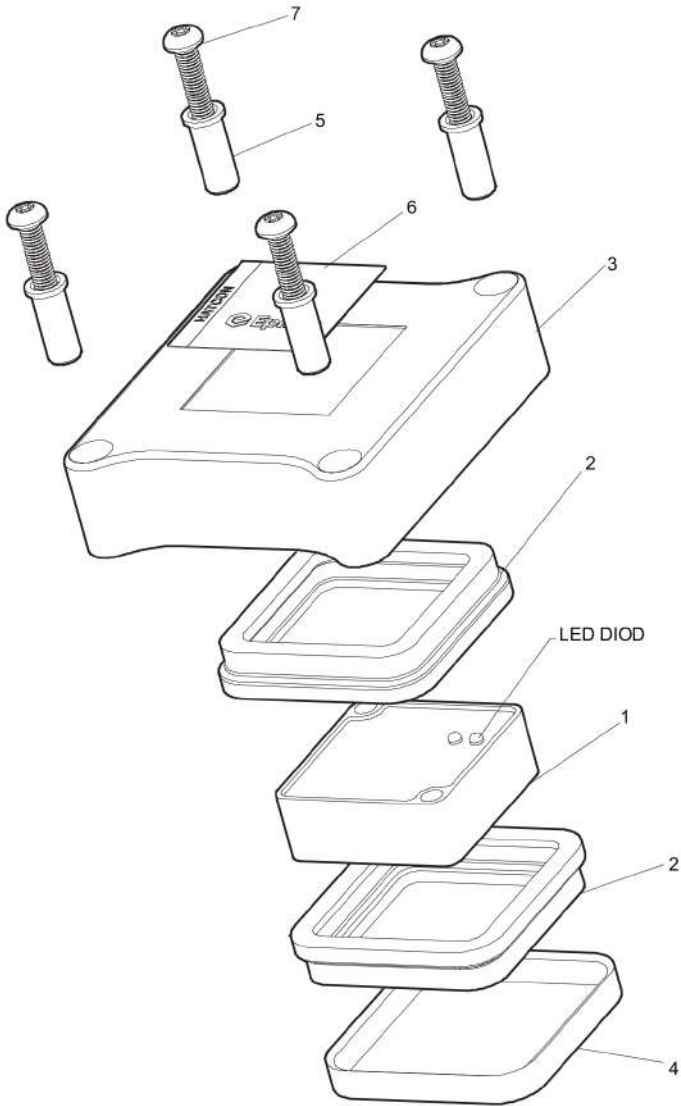
C | Screw with extra high fatigue strength

D | VSTI R 1/8-ED

E | CAS No. see chapter "Environmental Product Compliance - REACH Declaration"

F | ISO 7 - R 1/4

Mechanical HATCON (Horizontal)

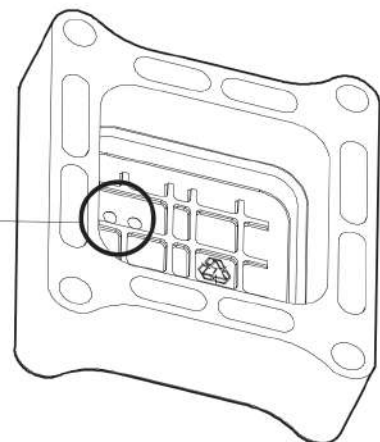


DETAIL A



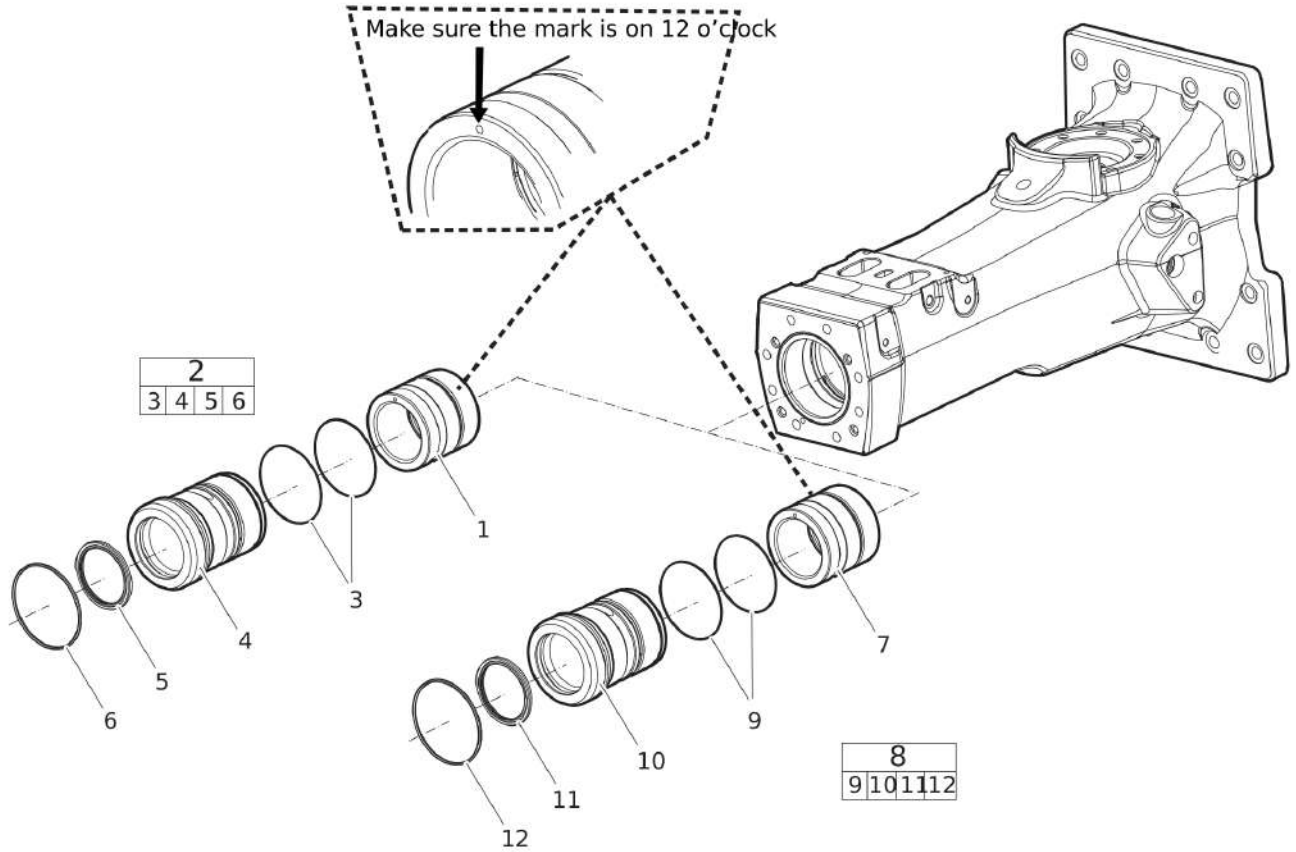
Horizontal mounted.
Match diods on POS.1 to
match the recess marked H on POS .3

SEE DETAIL A



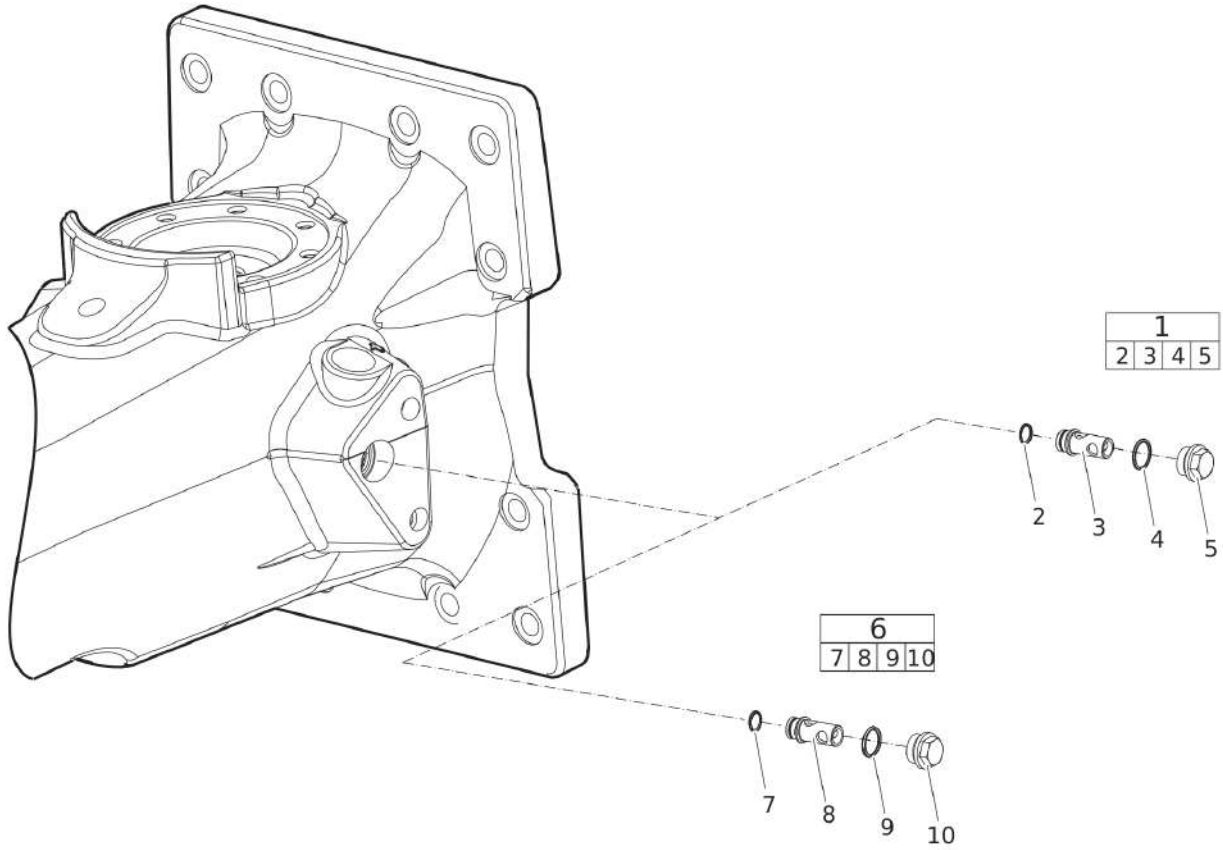
Item	Part No.	Name	Qty	L
1		TRACKING MODULE HATCON	1	
2	3315439130	DAMPER HATCON	2	
3	3315439118	HOUSING TYPE 4 HATCON	1	
4	3315439140	LOCK RING HATCON	1	
5	3315439120	SLEEVE HATCON	4	
6	3315439100	PRODUCT LABEL HATCON	1	
7	3315442600	SCREW HATCON	4	

Mechanical Optional parts - Bushing oversize, complete



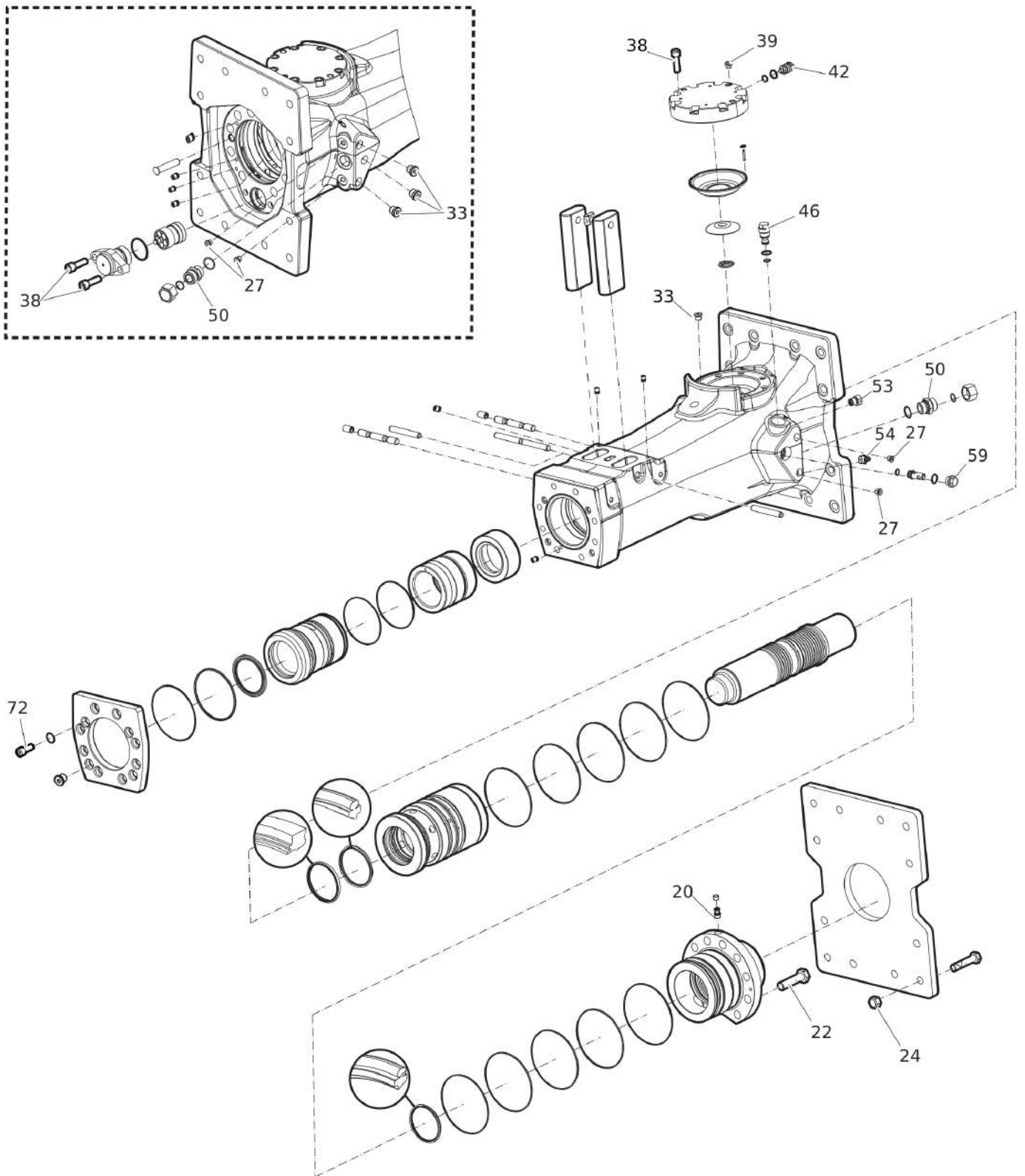
Item	Part No.	Name	Qty	L
1	3315395015	WEAR BUSH, ø 145.5 mm (ø 5.75 in.)	1	
2	3315301960	WEAR BUSH, complete	1	
3	0663210824	O-RING	2	
4	-	WEAR BUSH, ø 146 mm (ø 5.73 in.)	1	
5	3315388700	SCRAPER RING	1	
6	0663210658	O-RING	1	
7	3315395030	WEAR BUSH, ø 147 mm (ø 5.81 in.)	1	
8	3315394763	WEAR BUSH, complete	1	
9	0663210824	O-RING	2	
10	-	WEAR BUSH, ø 147.5 mm (ø 5.79 in.)	1	
11	3315388700	SCRAPER RING	1	
12	0663210658	O-RING	1	

Mechanical Optional parts - Restrictor, complete



Item	Part No.	Name	Qty	L
1	3315409704	RESTRICTOR, complete	1	
2	0663903201	O-RING	1	
3	-	RESTRICTOR, Ø 7.0 mm (Ø 0.28 in.)	1	
4	0663910401	O-RING	1	
5	3315386500	RESTRICTOR PLUG	1	
6	3315409705	RESTRICTOR, complete	1	
7	0663903201	O-RING	1	
8	-	RESTRICTOR, Ø 7.6 mm (Ø 0.30 in.)	1	
9	0663910401	O-RING	1	
10	3315386500	RESTRICTOR PLUG	1	

Mechanical Tightening torque



Refer to the DocMine web page for most up-to-date information. The printed information might be outdated.

Tue Mar 28 12:47:14 UTC 2023

Item	Part No.	Name	Qty	L
20	-	CHECK VALVE - 30 Nm (22 ft lbf)	-	B
22	-	HEXAGON HEAD SCREW - 550 Nm (406 ft lbf)	-	A
24	-	NUT - 400 Nm (295 ft lbf)	-	A
27	-	PLUG - 30 Nm (22 ft lbf)	-	B
33	-	PLUG - 80 Nm (59 ft lbf)	-	B
38	-	HEXAGON SOCKET SCREW - 300 Nm (221 ft lbf)	-	A
39	-	PLUG - 20 Nm (15 ft lbf)	-	
42	-	VALVE - 27 Nm (20 ft lbf)	-	
46	-	PRESSURE RELIEF VALVE - 80 Nm (59 ft lbf)	-	
50	-	PIPE COUPLING - 315 Nm (232 ft lbf)	-	
53	-	NON RETURN VALVE - 200 Nm (148 ft lbf)	-	
54	-	GREASE NIPPLE - 30 Nm (22 ft lbf)	-	
59	-	RESTRICTOR PLUG - 80 Nm (59 ft lbf)	-	
72	-	HEXAGON SOCKET SCREW - 180 Nm (133 ft lbf)	-	A

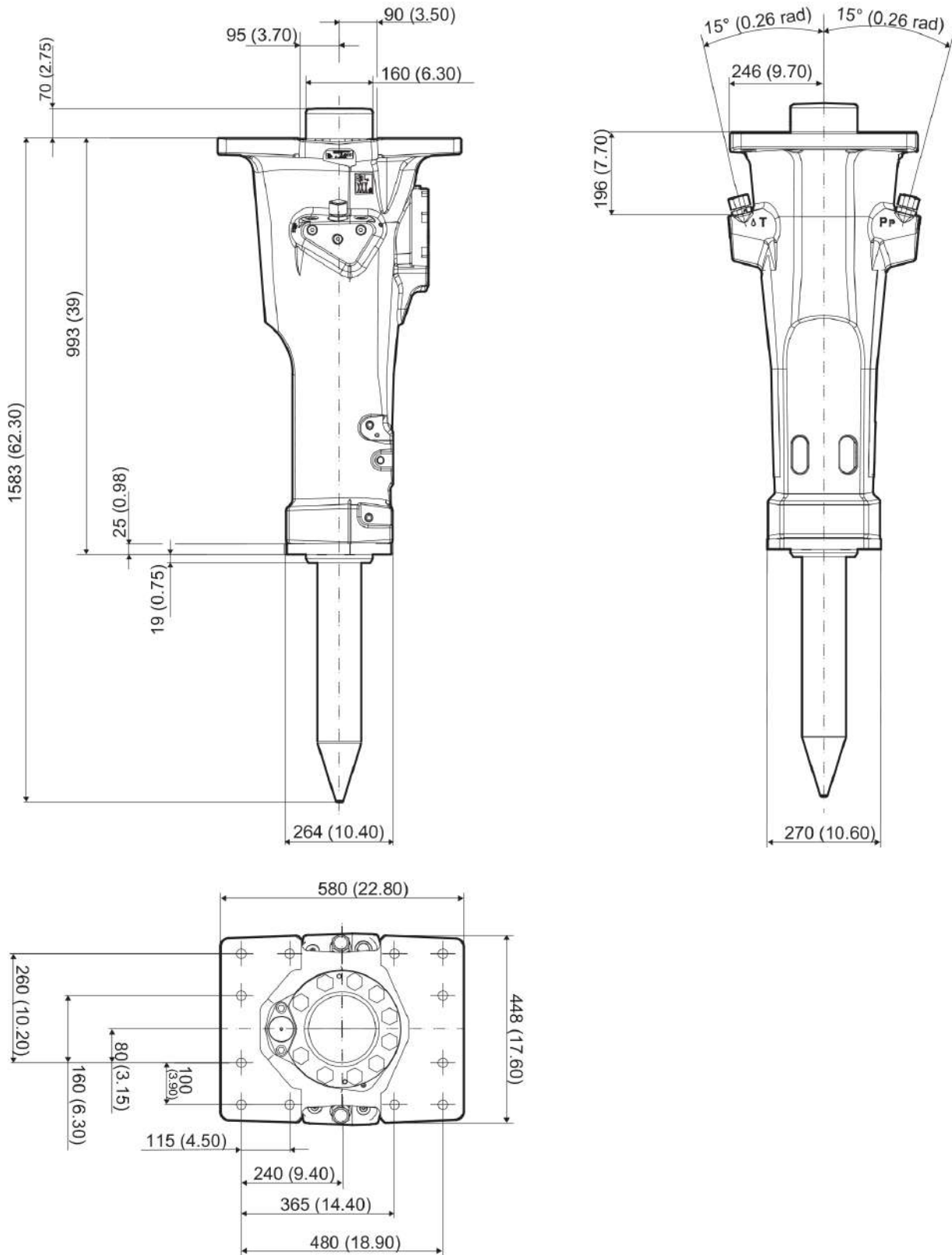
Comments for Page: Tightening torque

LOCTITE is a registered trademark of Henkel Corporation. 243 is a trademark of Henkel Corporation Molykote is a registered trademark of Dow Corning Corporation.

A | Molycote®

B | LOCTITE® 243™

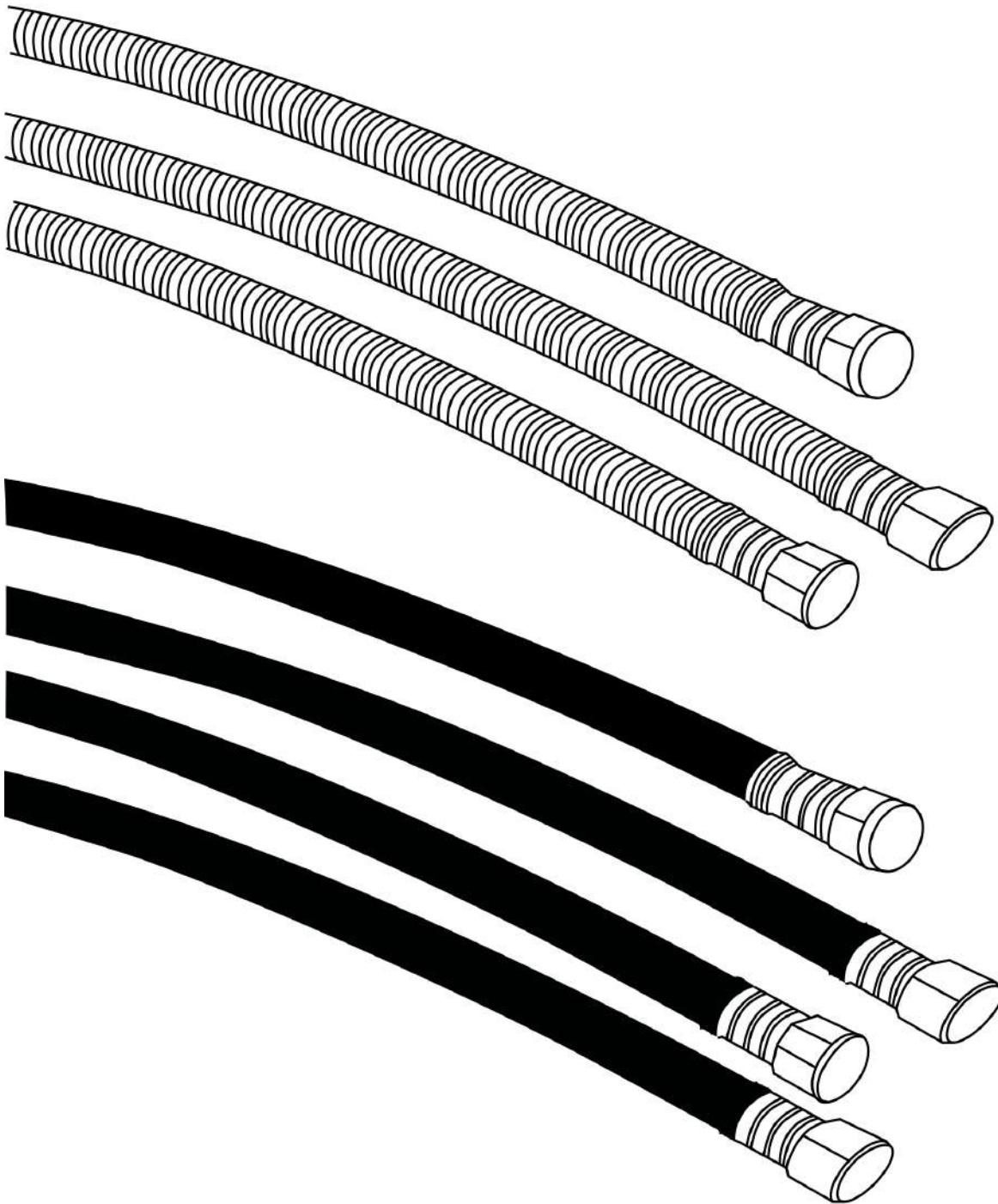
Mechanical Dimensions (mm)



Refer to the DocMine web page for most up-to-date information. The printed information might be outdated.
Tue Mar 28 12:47:14 UTC 2023

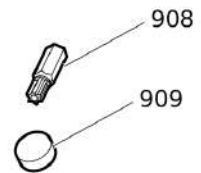
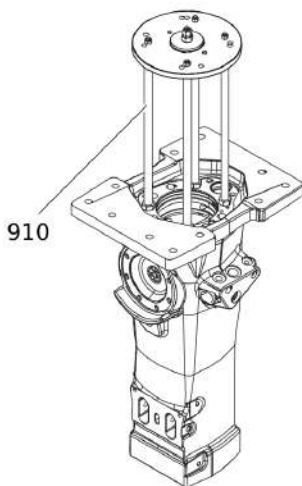
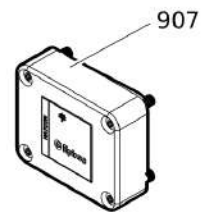
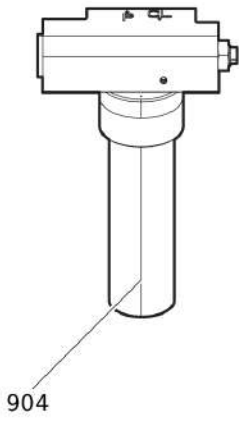
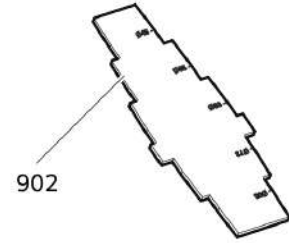
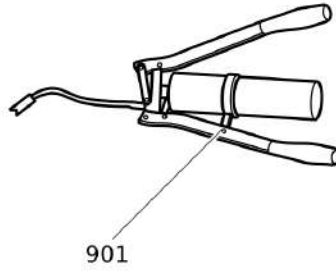
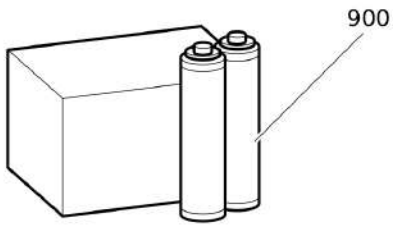
This page intentionally left blank

Options / accessories Hydraulic hoses



Item	Part No.	Name	Qty	L
-	3360332294	HYDRAULIC HOSE, I.D. 20 (0.79 in.), both ends M36 x 2 mm conical seal 24°, length 2,300 mm (90.5 in.)	2	
-	3363085947	HYDRAULIC HOSE, I.D. 20 (0.79 in.), both ends M36 x 2 mm conical seal 24°, length 2,800 mm (110.2 in.)	2	

Options / accessories Optional equipment



Item	Part No.	Name	Qty	L
900	3363122355	BIO CHISEL PASTE CARTRIDGE FOR GREASE GUN, 12 x 400 g (0.88 lbs)	1	
900	3363122356	BIO CHISEL PASTE CARTRIDGE, 12 x 550 g (1.2 lbs)	1	
900	3363091200	CHISEL PASTE CARTRIDGE, 12 x 500 g (1.1 lbs)	1	
-	3363122357	BIO CHISEL PASTE CONTAINER 15 kg (33 lbs)	1	
-	3363122358	BIO CHISEL PASTE CONTAINER 45 kg (99 lbs)	1	
-	3363094669	FILLING DEVICE	1	A
-	3363066411	FILLING DEVICE	1	B
-	3363066412	FILLING ADAPTER	1	C
901	0909107100	LUBRICAT.GUN	1	
902	3315409200	BUSHING WEAR CONTROLLER	1	
904	3363067123	AUTOMATIC LUBRICATION SYSTEM	1	
905	3363094459	NIPPLE, for charging the accumulator	1	
-	3360920415	FILLING DEVICE, for accumulator	1	
-	3361329803	FILLING HOSE, for charging the accumulator	1	
907	3315442504	HATCON KIT 4 (3G)	1	
907	3315442523	HATCON KIT 4 (LTE)	1	
908	3315439105	SECURITY BIT HATCON	1	
909	3315439106	MAGNET HATCON	1	
910	-	SERVICE TOOL FOR LINER	1	D
-	3315395200	WATER NOSSLE	4	
-	3363067493	UNIVERSAL ADAPTER KIT	1	E

Comments for Page: Optional equipment

(L)OCAL REMARKS

A | For the 500 g (1.10 lb) Chisel paste cartridges, to use in combination with Chisel paste container 15 kg (33 lb)

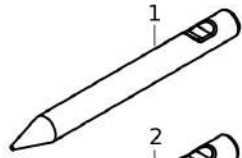
B | For the 500 g (1.10 lb) Chisel paste cartridges, to use in combination with Chisel paste container 45 kg (99 lb)

C | For the 500 g (1.10 lb) Chisel paste cartridges, suitable with the filling device for 15 kg (33 lb) and 45 kg (99 lb)

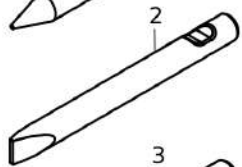
D | Consult technical service for drawings

E | For Automatic lubrication system

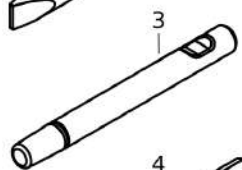
Options / accessories Working tools ClassicLine



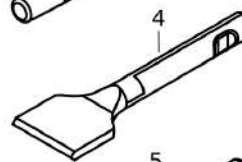
Ø=105 mm, L=520 mm, LT=950 mm, Wt=61 kg
 Ø=4.13 inch, L=20.47 inch, LT=37.4 inch, Wt=134 lb



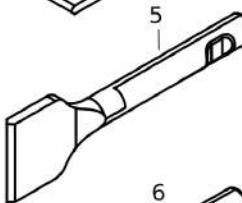
Ø=105 mm, L=520 mm, LT=950 mm, Wt=63 kg
 Ø=4.13 inch, L=20.47 inch, LT=37.4 inch, Wt=139 lb



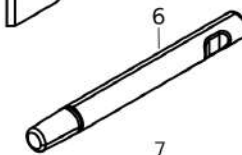
Ø=105 mm, L=520 mm, LT=950 mm, Wt=66 kg
 Ø=4.13 inch, L=20.47 inch, LT=37.4 inch, Wt=146 lb



Ø=105 mm, W=200 mm, L=570 mm, LT=850 mm, Wt=66 kg
 Ø=4.13 inch, W=7.9 inch, L=22.4 inch, LT=33.5 inch, Wt=146 lb



Ø=105 mm, W=200 mm, L=570 mm, LT=850 mm, Wt=66 kg
 Ø=4.13 inch, W=7.9 inch, L=22.4 inch, LT=33.5 inch, Wt=146 lb



Ø=105 mm, L=520 mm, LT=950 mm, Wt=64 kg
 Ø=4.13 inch, L=20.47 inch, LT=37.4 inch, Wt=141 lb



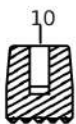
W=Ø 400 mm, Wt= 80 kg
 W=Ø 15.75 inch, Wt= 176 kg



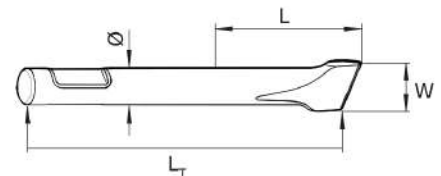
W=Ø200 mm, Wt= 33 kg
 W=Ø7.87 inch, Wt= 73 lb



W= Ø150 mm, Wt=26 kg
 W=Ø5.90 inch, Wt= 51 lb

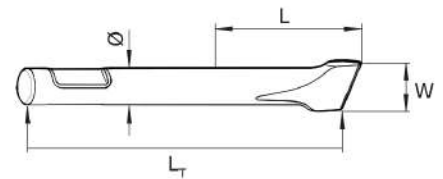
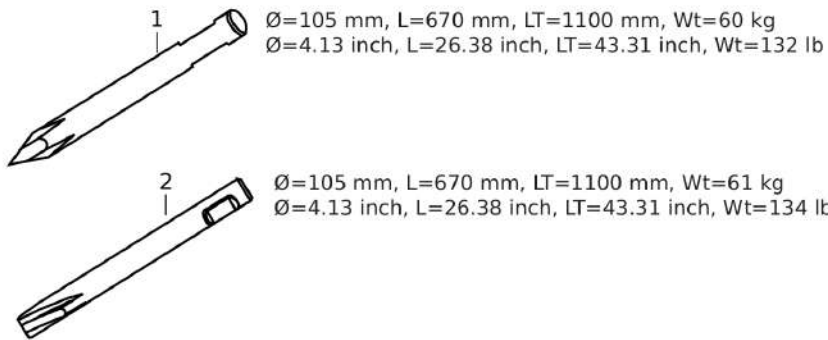


W=Ø190 mm, Wt=30 kg
 W=Ø7.48 inch, Wt= 66 lb



Item	Part No.	Name	Qty	L
1	3083342417	MOIL POINT	1	
2	3083342418	CHISEL (cross)	1	
3	3083342416	BLUNT TOOL	1	
4	3083340959	WIDE CHISEL (cross)	1	
5	3083340960	WIDE CHISEL (parallel)	1	
6	3083342419	SHAFT	1	
7	3315371200	TAMPING PAD (square)	1	
8	3315372000	POST DRIVER PAD (round)	1	
9	3315372600	PILE DRIVER PAD (round)	1	
10	3315373200	BUSHING PAD (round)	1	

Options / accessories Working tools ProLine



Item	Part No.	Name	Qty	L
1	3363120271	MOIL POINT (X-Profile)	1	
2	3363120272	CHISEL (X-Profile)	1	

Annex Environmental Product Compliance - REACH Declaration

NO EXPLODED VIEW
AVAILABLE
FOR THIS BOM

Item	Part No.	Name	Qty	L
45	-	Pressure relief valve, complete, Part No. 3315400900 - CAS No. 7439-92-1	-	

Comments for Page: Environmental Product Compliance - REACH Declaration

EU REACH Candidate List substances present in product listed above.

Any unauthorized use or copying of the contents or any part thereof is prohibited.
This applies in particular to trademarks, model denominations, part numbers, and drawings.