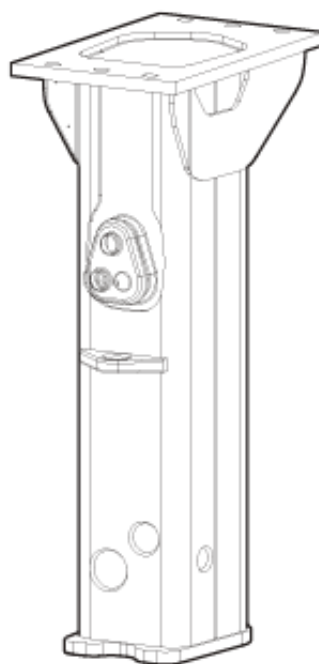


# EC 60T

---

## Spare parts list Hydraulic breakers

EC 60T s/n BES095068–



**Service, repair and wear part kits**

Label kit ..... 1  
Seal kit ..... 3

**Mechanical**

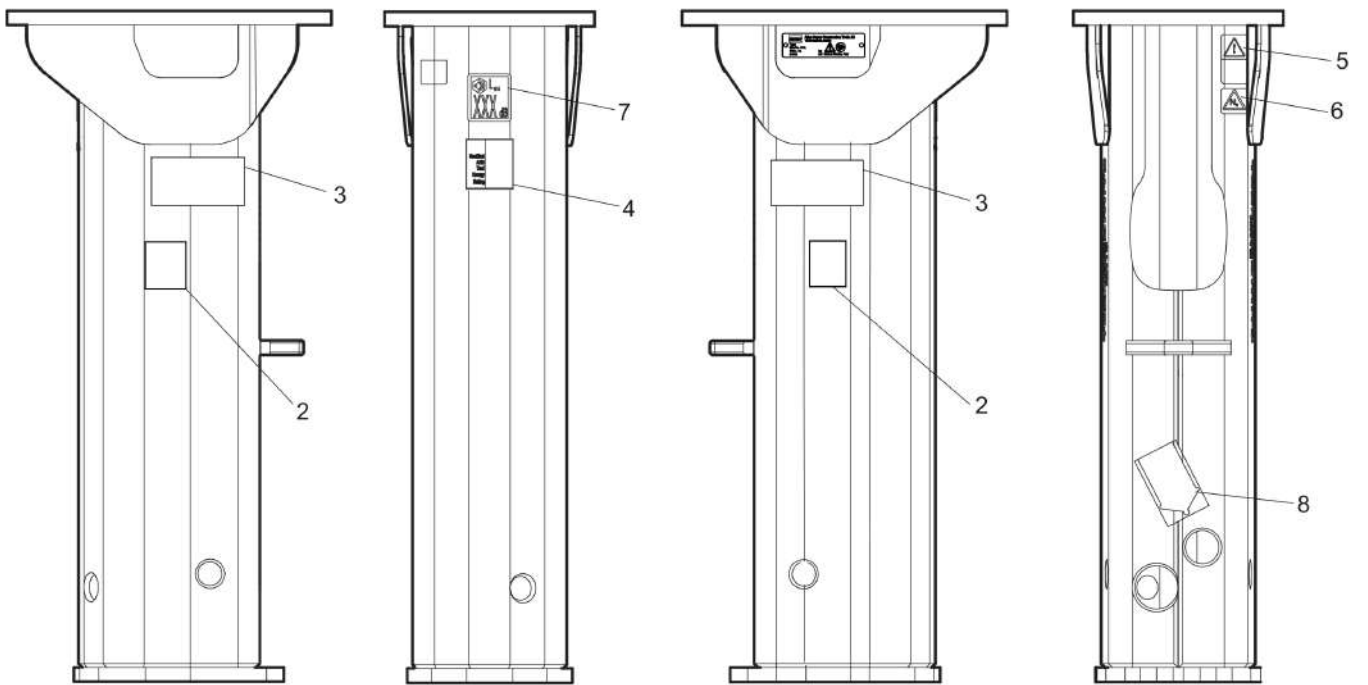
Hydraulic breaker (Penta box, valid to BES096598) ..... 5  
Hydraulic breaker (Square box, valid from BES096596) ..... 7  
Percussion unit ..... 9  
Tightening torques ..... 11  
Assembly instruction ..... 13  
Dimensions ..... 14

**Options/accessories**

Optional equipment ..... 16  
Hydraulic hoses ..... 19

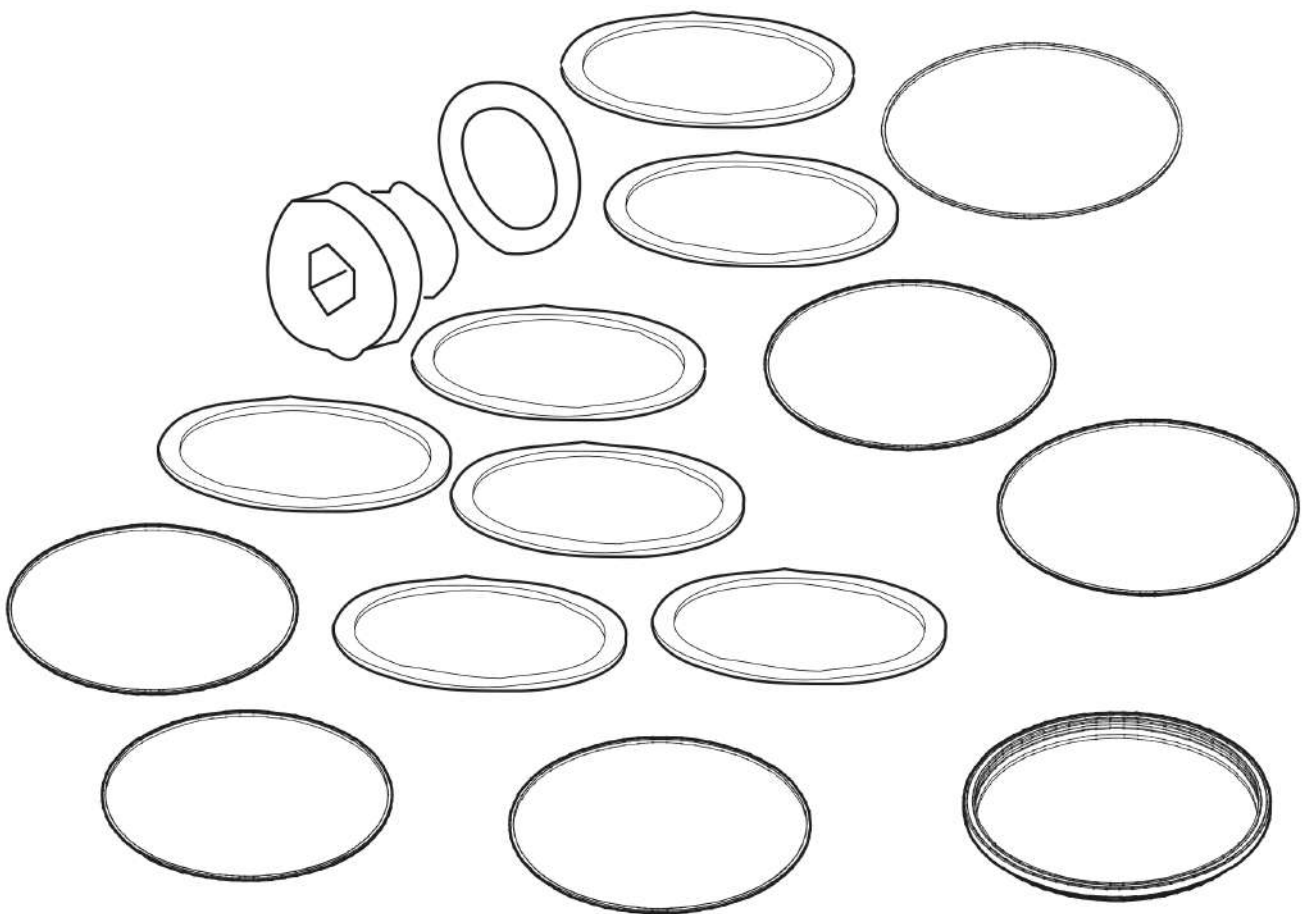


Service, repair and wear part kits Label kit



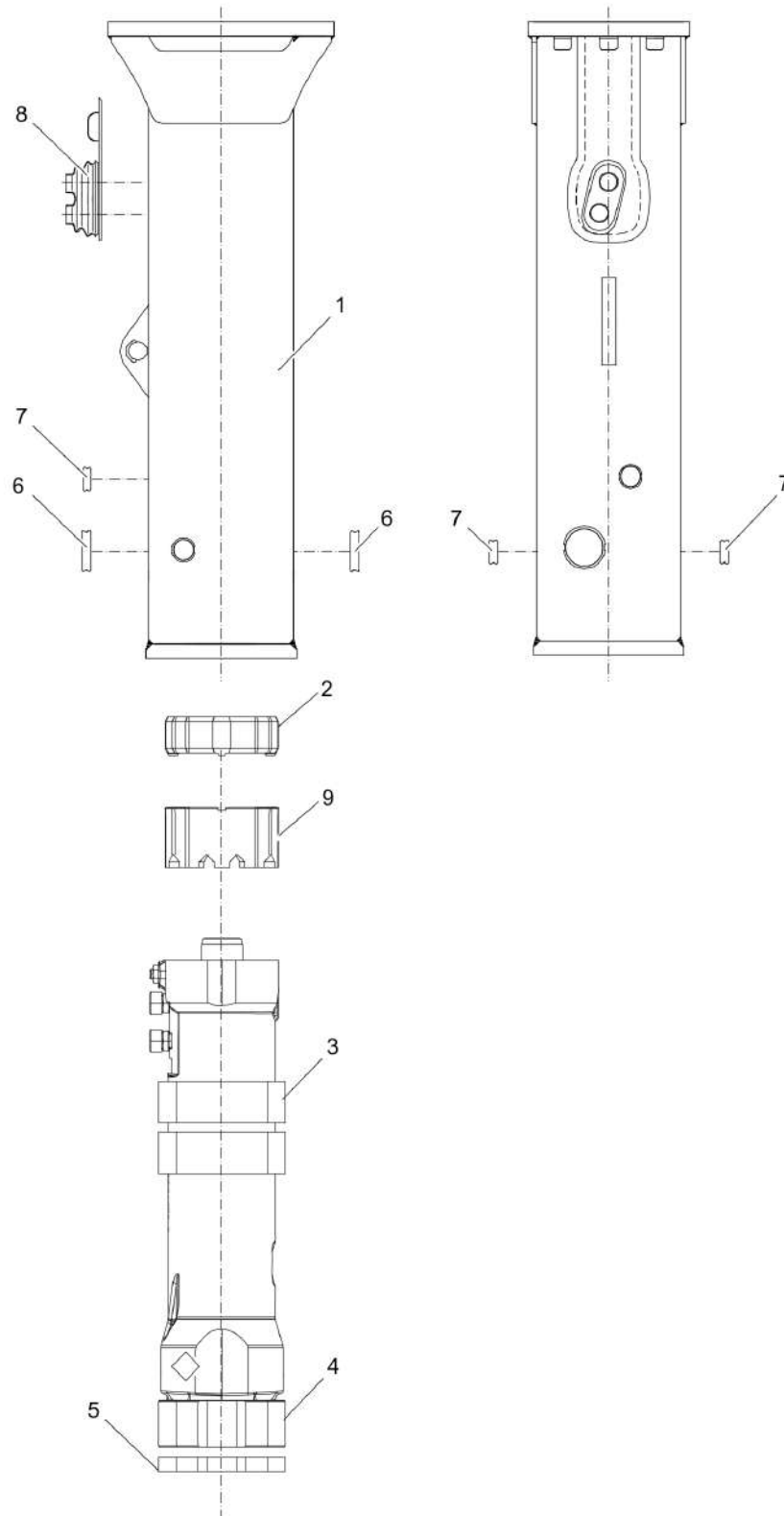
Item	Part No.	Name	Qty	L
1	3382070015	Label kit	1	
2	-	Product label	2	
3	-	Product label	2	
4	-	AEM sign	1	
5	3315262900	Safety label	1	
6	3315263000	Safety label	1	
7	-	Sound power label, 109 dB	1	
8	3360995411	Label - Lubricating symbol	1	

Service, repair and wear part kits Seal kit



Item	Part No.	Name	Qty	L
1	3382070008	Seal kit	1	
2	0663211949	O-ring, 26 x 6 mm	1	
3	0663925100	O-ring, 15.08x2.62	1	
4	3115329002	SEAL RING	1	
5	3315296615	Seal, $\varnothing$ 118 mm	2	
6	3360478426	Threaded plug	1	
7	3363091709	O-ring, 104.14 x 5.33 mm	1	
8	3361192031	Quadring, 56.69 x 5.33 mm	1	
9	3361192032	Seal	2	
10	3361192033	O-ring, 62.87 x 5.33 mm	2	
11	3361192035	O-ring, 107.32 x 5.33 mm	1	
12	3361192036	Back-up ring, 108.66 x 4.65 mm	1	
13	3361192038	Seal, 60 x 75.5 x 6.3 mm	1	
14	3361192039	Seal	1	
15	3361192040	O-ring, 66.04 x 5.33 mm	1	
16	3360192066	O-ring	1	
17	3361192067	O-ring	2	

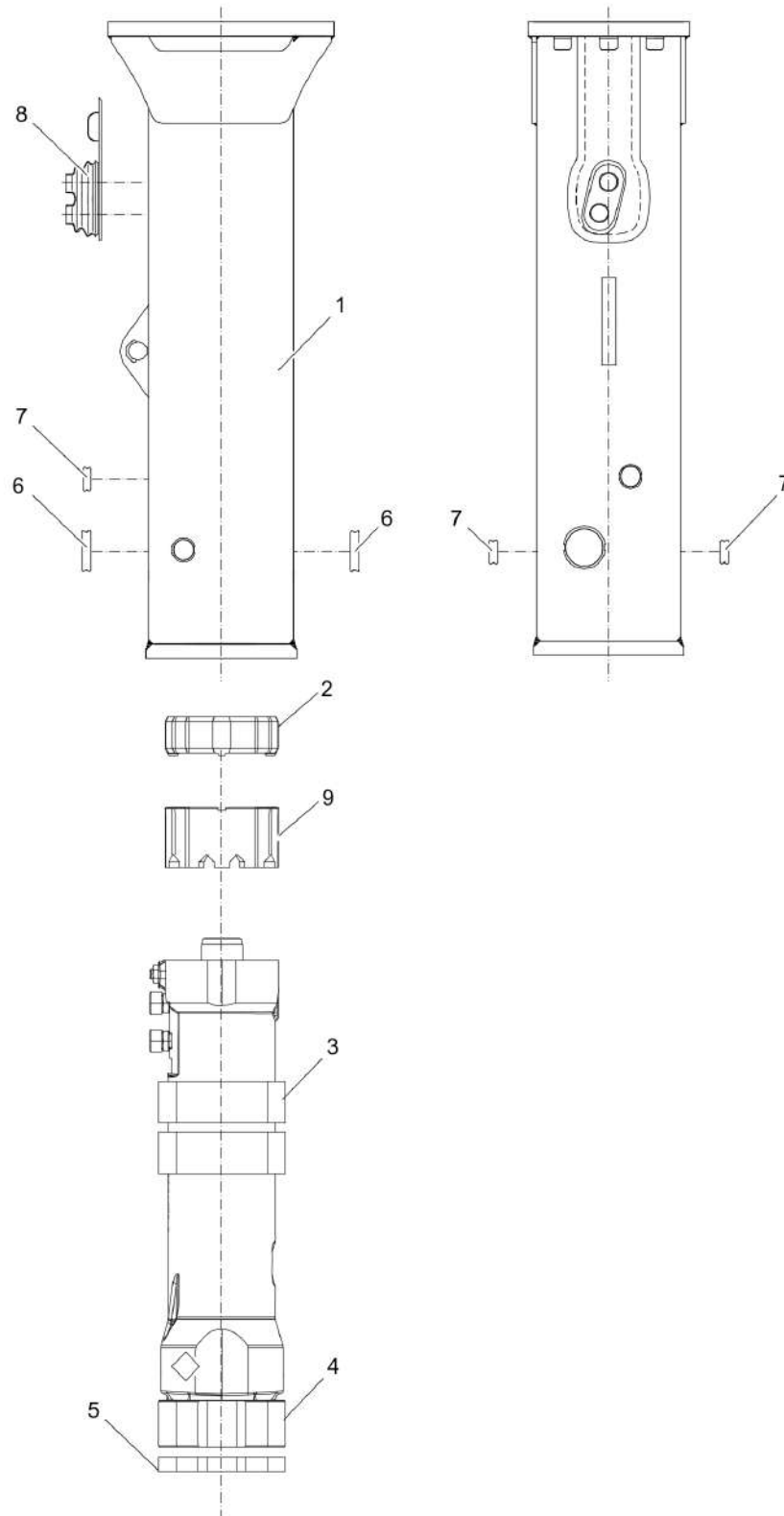
Mechanical Hydraulic breaker (Penta box, valid to BES096598)





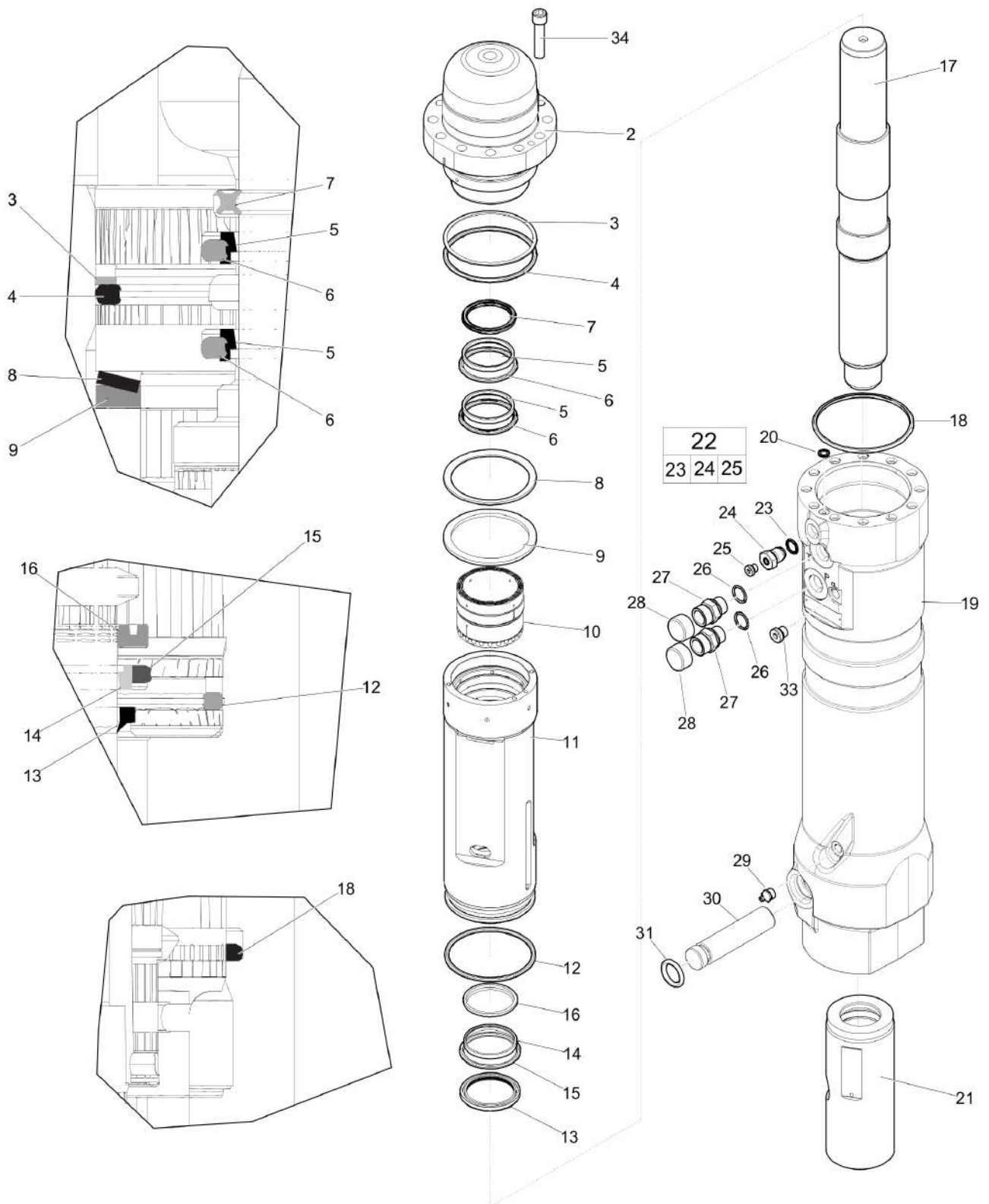
Item	Part No.	Name	Qty	L
1	3315289100	Hammer box	1	
2	3315431300	Shock absorber	1	
3	3315289800	Guide plate	2	
4	3315289710	Lower guide	1	
5	3362430001	Shock absorber	1	
6	3362491007	Plug	1	
7	3362491004	Plug	4	
8	3362491006	Cover	1	
9	3315431400	Spacer	1	

Mechanical Hydraulic breaker (Square box, valid from BES096596)



Item	Part No.	Name	Qty	L
1	3362130002	Breaker box	1	
2	3315431300	Shock absorber	1	
3	3362430003	Guide plate	2	
4	3315289720	Guide plate	1	
5	3362430001	Shock absorber	1	
6	3362491007	Plug	1	
7	3362491004	Plug	4	
8	3362491006	Cover	1	
9	3315431400	Spacer	1	

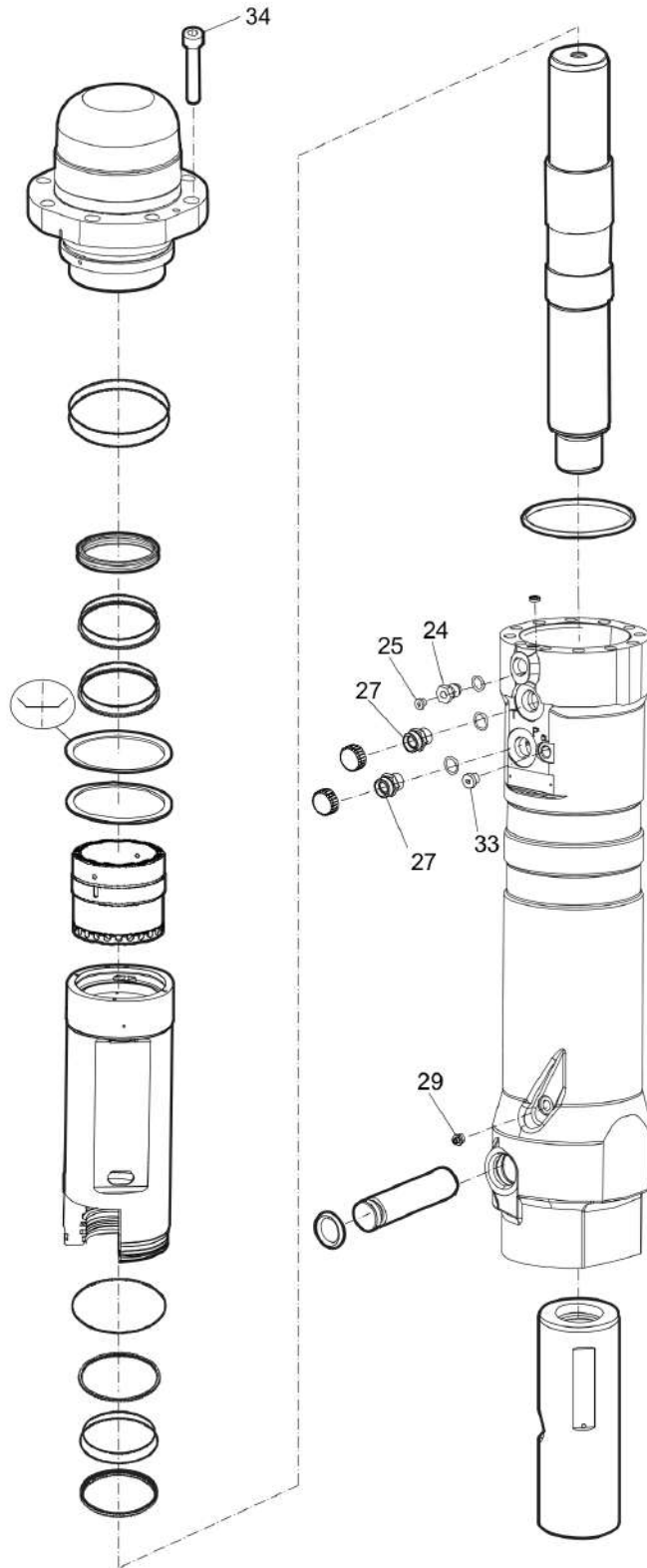
Mechanical Percussion unit



Refer to the DocMine web page for most up-to-date information. The printed information might be outdated.  
 Wed Oct 10 06:22:10 UTC 2018

Item	Part No.	Name	Qty	L
2	3315416500	Back head	1	
3	3361192036	Back-up ring, 108.66 x 4.65 mm	1	
4	3361192035	O-ring, 107.32 x 5.33 mm	1	
5	3361192032	Seal	2	
6	3361192033	O-ring, 62.87 x 5.33 mm	2	
7	3361192031	Quadring, 56.69 x 5.33 mm	1	
8	3361130004	Plate spring	1	
9	3361130005	Spacer	1	
10	3361130106	Control valve	1	
11	3361130002	Cylinder bush	1	
12	3361192005	O-ring, 104.14 x 5.33 mm	1	
13	3361192041	Wiper, 60 x 68 x 4 x 7 mm	1	
14	3361192039	Seal	1	
15	3361192040	O-ring, 66.04 x 5.33 mm	1	
16	3361192038	Seal, 60 x 75.5 x 6.3 mm	1	
17	3315332730	Piston	1	
18	3315296615	Seal, $\varnothing$ 118 mm	1	
19	3315429505	Cylinder housing	1	
20	3115329002	SEAL RING	1	
21	3361130009	Wear bush	1	
22	3363087286	Filling valve complete	1	
23	0663925100	O-ring, 15.08x2.62	1	
24	3362264245	Filling valve	1	
25	3360478426	Threaded plug	1	
26	3361192067	O-ring	2	
27	3361031476	Nipple	2	
28	3361353486	Cap	2	
29	0544215300	GREASE NIPPLE	1	
30	3315429515	Retainer	1	
31	0663212006	O-ring, 26 x 6 mm	1	
33	3363066963	Plug, M14 x 1.5 mm	1	
34	3315431100	MC6S M12x55 8.8 g627	12	

Mechanical Tightening torques

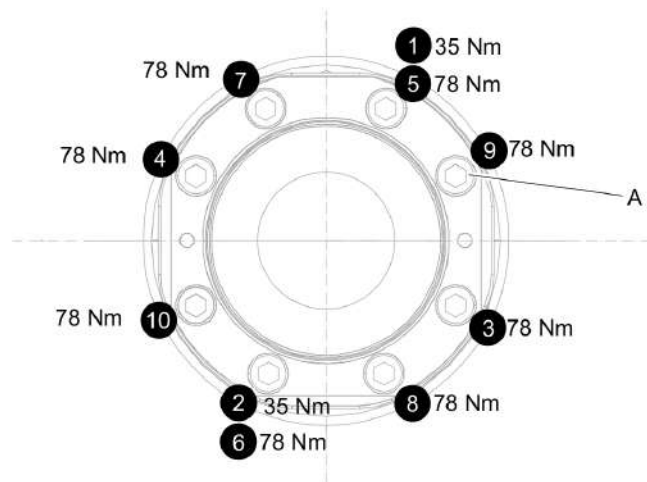
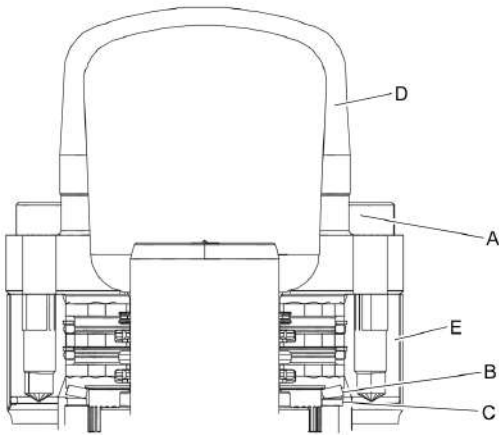


Refer to the DocMine web page for most up-to-date information. The printed information might be outdated.

Wed Oct 10 06:22:11 UTC 2018

Item	Part No.	Name	Qty	L
29	-	Grease nipple, 20 Nm	-	
34	-	Screw, 35 Nm/78 Nm, see "Assembly instruction"	-	
24	-	Filling valve, 130 Nm	-	
25	-	Threaded plug, 20 Nm	-	
27	-	Fitting, 90 Nm	-	
33	-	Plug, 30 Nm	-	

## Mechanical Assembly instruction

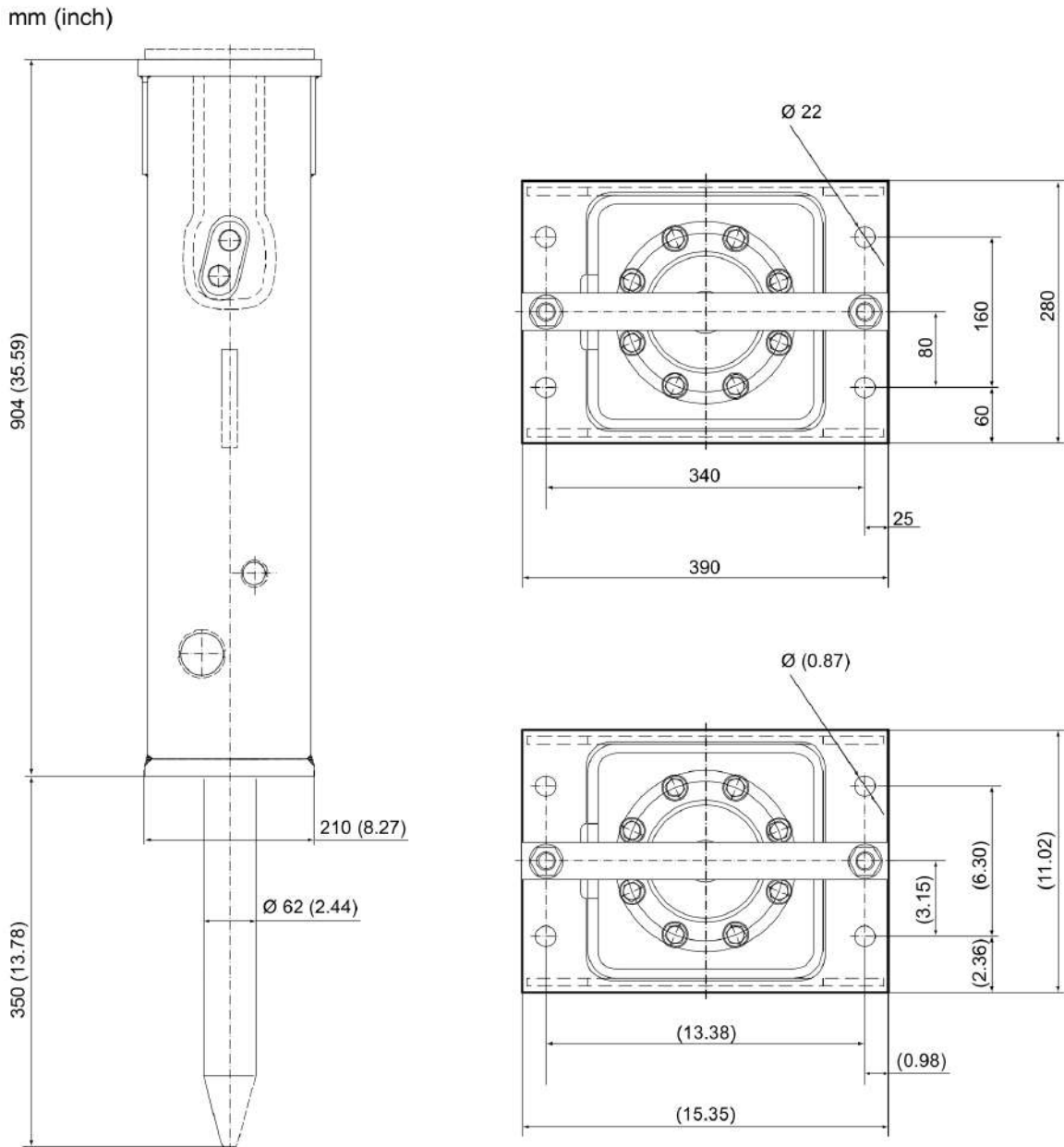


1. Make sure the spring plate (B) and spacer (C) are centered before mounting the back head (D).
  2. Press the back head (D) down on the spring plate (B) and spacer (C).
  3. Grease the screws (A) with Molykote® 1000 (Molykote is a registered trademark of Dow Corning Corporation), and manually fit them on the back head (D)
  4. Torque the first two screws (A) in the order shown in picture above to 35 Nm. This will compress the spring plate (B), and fit the back head (D) into the cylinder housing (E). Torque the rest of screws (A) in the order shown in picture above to 78 Nm.
- NOTICE Always start by fitting screws by hands.  
 NOTICE Tighten in two stages.  
 Stage 1: 35 Nm  
 Stage 2: 78 Nm



This page intentionally left blank

Mechanical Dimensions



This page intentionally left blank

Options/accessories Optional equipment

**NO EXPLODED VIEW  
AVAILABLE  
FOR THIS BOM**

Item	Part No.	Name	Qty	L
-	3363094913	Chisel paste cartridge for grease gun, 12 x 400 g (0.88 lbs)	1	A
-	0909107100	LUBRICAT.GUN	1	
-	3363491004	Charging box with nitrogen cylinder, 2 l, 0.43 gal (0.53 US gal)	1	
-	3315303700	Test gauge wear bush	1	

Comments for Page: Optional equipment

(L)OCAL REMARKS

A | 400 g (0.88 lbs)

(carton of 12 pieces)

Options/accessories Hydraulic hoses

NO EXPLODED VIEW  
AVAILABLE  
FOR THIS BOM

Item	Part No.	Name	Qty	L
-	3363491002	Hose, both ends 18 L(M26x1.5) length 1500 mm	2	

Any unauthorized use or copying of the contents or any part thereof is prohibited.  
This applies in particular to trademarks, model denominations, part numbers, and drawings.