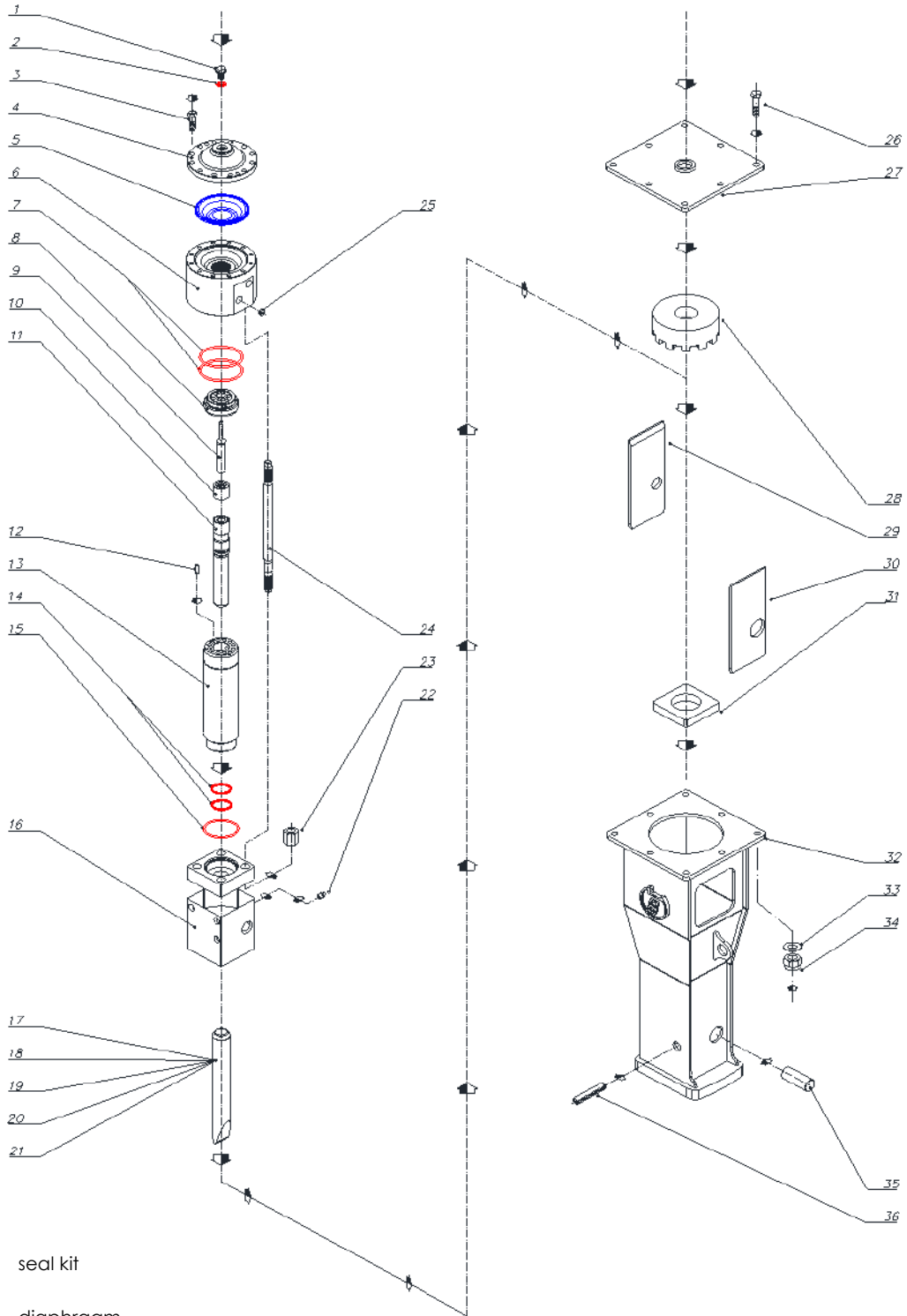


GK 75 S

HYDRAULIC BREAKER



23.2 GK 75 S EXPLODED VIEW AND PARTS LIST

Ref	Part number	Description	Q.ty	€
1	828	Nitrogen inlet screw	1	
2	827	Nitrogen washer	1	
3	85-002	Hexagon head screw	12	
4	70-004	Upper accumulator	1	
5	90-004	Diaphragm	1	
6	71-004	Head	1	
7	70-021	Seal	2	
8	71-025	Distribution cover	1	
9	70-009	Plunger	1	
10	70-008	Distributor	1	
11	71-006	Piston	1	
12	85-013	Centering pin	1	
13	71-008	Cylinder	1	
14	0095-308	Oil seal	2	
15	1317	Seal	1	
16	71-010	Chuck housing-bare	1	
17	70-018	Chisel	1	
18	70-019	Moil point	1	
19	70-032	Asphalt cutter	1	
20	70-033	Ramming tool	1	
21	70-034	Blunt	1	
22	820	Grease nipple	1	
23	85-017	Side bolt nut	4	
24	71-007	Side bolt	4	
25	70-010	Perforated plug	1	
26	85-041	Hexagon head screw	8	
27	70-031	Closing plate	1	
28	J200-003	Upper shock absorber	1	
29	J160-007	Back panel	1	
30	J160-006	Front panel	1	
31	J160-003	Lower shock absorber	1	
32	J160-005	Casing	1	
33	360-070	Washer	8	
34	0350-090	Nut	8	
35	70-017	Retaining axle	1	
36	86-005	Elastic pin	1	
37	71-023	Seal kit	1	